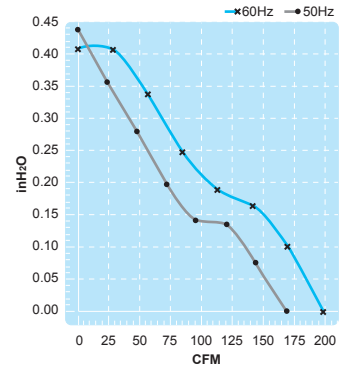
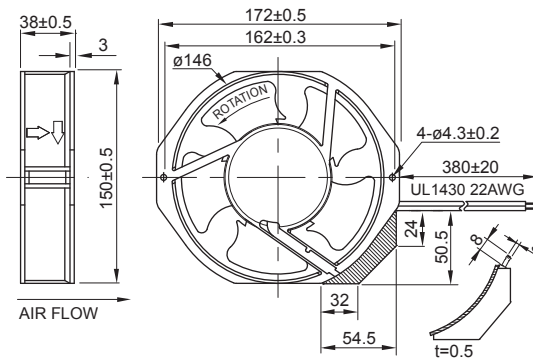
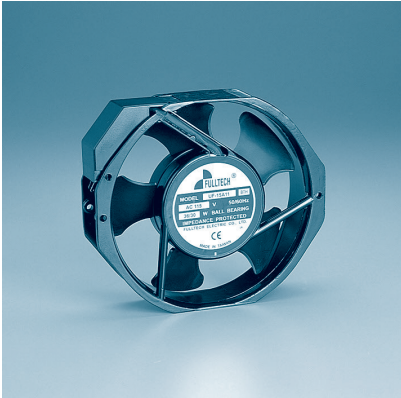


UF15A Series

Size : 172 x 150 x 38
Unit : mm



Impedance-Protected

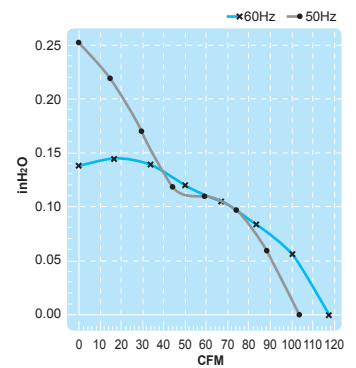
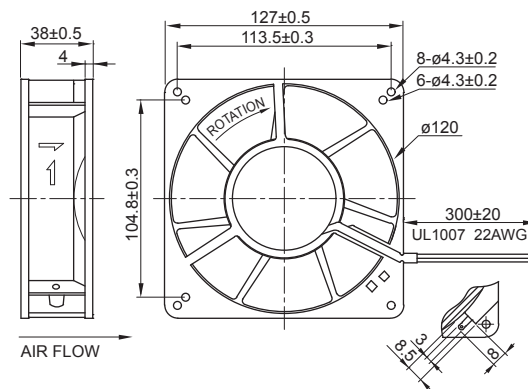
Terminal or Lead Wire Type



Spec.	Rated Voltage	Frequency	Input Power	Rated Current	Locked Current	Speed	Maximum Air Flow	Maximum Air Flow	Maximum Pressure	Maximum Pressure	Noise	Weight
Model	V	Hz	W	A	A	RPM	m ³ /min.	CFM	mmH ₂ O	InchH ₂ O	dB	kg
UF15A11-H	115	50	36	0.50	0.66	2750	4.7	166	11	0.43	50	0.78
		60	30	0.38	0.56	3200	5.6	198	10	0.40	55	
UF15A23-H	230	50	39	0.25	0.32	2750	4.7	166	11	0.43	50	0.78
		60	31	0.19	0.28	3200	5.6	198	10	0.40	55	

UF13A Series

Size : 127 x 127 x 38
Unit : mm



Impedance-Protected

Terminal or Lead Wire Type



Spec.	Rated Voltage	Frequency	Input Power	Rated Current	Locked Current	Speed	Maximum Air Flow	Maximum Air Flow	Maximum Pressure	Maximum Pressure	Noise	Weight
Model	V	Hz	W	A	A	RPM	m ³ /min.	CFM	mmH ₂ O	InchH ₂ O	dB	kg
UF13A10-H	100	50	15	0.24	0.33	2700	2.9	103	7.3	0.29	46	0.55
		60	13	0.20	0.27	3000	3.4	120	2.8	0.11	50	
UF13A11-H	115	50	14	0.20	0.26	2700	2.9	103	7.3	0.29	46	0.55
		60	12	0.16	0.23	3000	3.4	120	2.8	0.11	50	
UF13A20-H	200	50	15	0.12	0.17	2700	2.9	103	7.3	0.29	46	0.55
		60	13	0.10	0.14	3000	3.4	120	2.8	0.11	50	
UF13A23-H	230	50	17	0.10	0.13	2700	2.9	103	7.3	0.29	46	0.55
		60	15	0.09	0.11	3000	3.4	120	2.8	0.11	50	