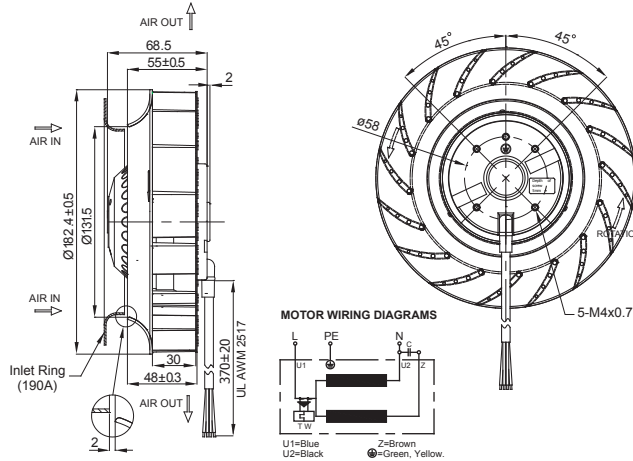
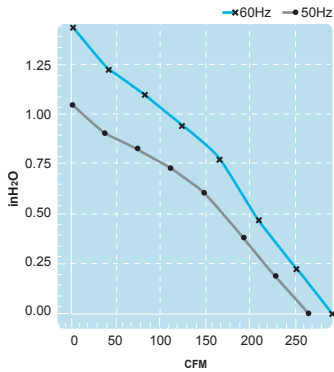


# UF180(55)APA Series

Size :  $\phi 182.4 \times 68.5$   
Unit : mm

## (Centrifugal Fan)



Thermally-Protected



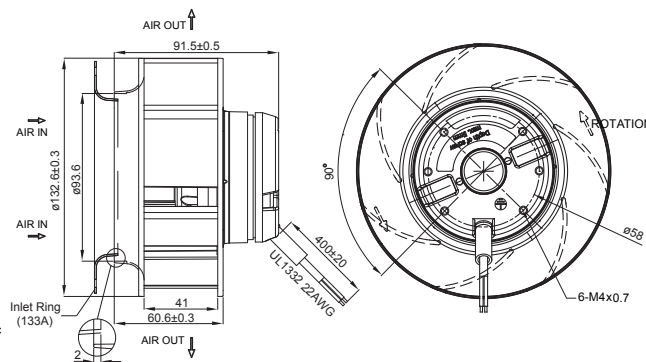
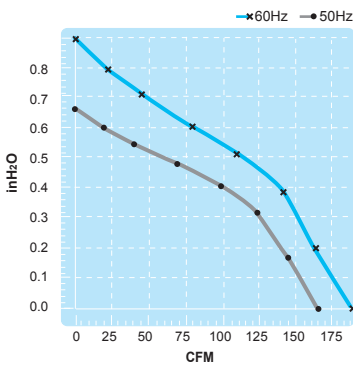
## Lead Wire Type

Spec.	Rated Voltage	Frequency	Input Power	Rated Current	Locked Current	Speed	Maximum Air Flow	Maximum Air Flow	Maximum Pressure	Maximum Pressure	Capacitor	Noise	Weight
Model	V	Hz	W	A	A	RPM	m <sup>3</sup> /min.	CFM	mmH <sub>2</sub> O	InchH <sub>2</sub> O	$\mu$ F/VDB	dB	kg
UF180(55)APA 11H2C2A	115	50	63	0.60	0.92	2550	7.5	265	26	1.0	10/250	64	1.2
		60	78	0.70	0.95	2800	8.3	290	36	1.4	67		
UF180(55)APA 23H2C2A	230	50	63	0.30	0.46	2550	7.5	265	26	1.0	2/450	64	1.2
		60	78	0.34	0.48	2800	8.3	290	36	1.4	67		

# UF133(91)APA Series

Size :  $\phi 132.6 \times 91.5$   
Unit : mm

## (Centrifugal Fan)



Thermally-Protected



## Lead Wire Type

Spec.	Rated Voltage	Frequency	Input Power	Rated Current	Locked Current	Speed	Maximum Air Flow	Maximum Air Flow	Maximum Pressure	Maximum Pressure	Capacitor	Noise	Weight
Model	V	Hz	W	A	A	RPM	m <sup>3</sup> /min.	CFM	mmH <sub>2</sub> O	InchH <sub>2</sub> O	$\mu$ F/VDB	dB	kg
UF133(91)APA 11H1S2A	115	50	42	0.50	0.83	2780	4.66	165	16.6	0.65	---	50	0.9
		60	41	0.43	0.72	3200	5.33	188	22.4	0.88	60		
UF133(91)APA 23H1S2A	230	50	40	0.24	0.39	2780	4.66	165	16.6	0.65	---	50	0.9
		60	39	0.21	0.34	3200	5.33	188	22.4	0.88	60		