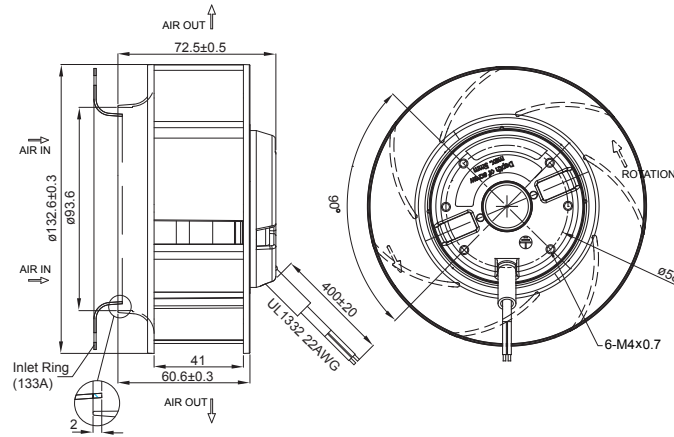


# UF133(72)APA Series

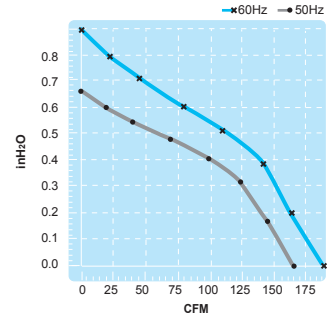
Size :  $\phi 132.6 \times 72.5$   
Unit : mm



Thermally-Protected



(Centrifugal Fan)



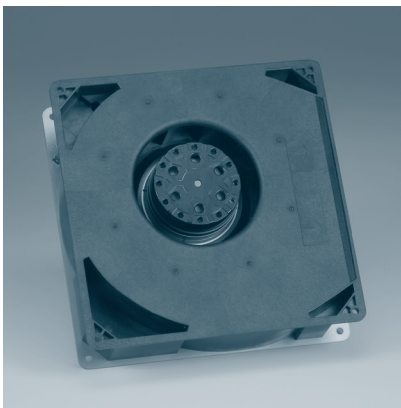
Lead Wire Type



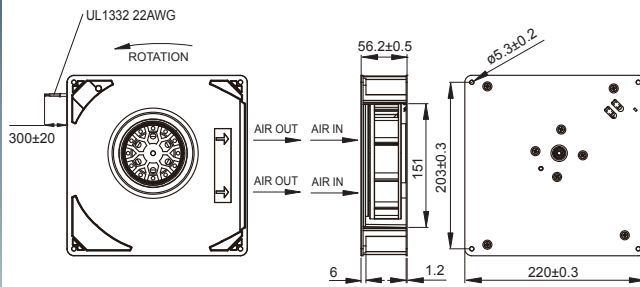
Spec.	Rated Voltage	Frequency	Input Power	Rated Current	Locked Current	Speed	Maximum Air Flow	Maximum Air Flow	Maximum Pressure	Maximum Pressure	Capacitor	Noise	Weight
Model	V	Hz	W	A	A	RPM	m <sup>3</sup> /min.	CFM	mmH <sub>2</sub> O	InchH <sub>2</sub> O	$\mu$ F/VDB	dB	kg
UF133(72)APA 11H1S2A	115	50	42	0.50	0.83	2780	4.66	165	16.6	0.65	---	50	0.9
		60	41	0.43	0.72	3200	5.33	188	22.4	0.88	---	60	
UF133(72)APA 23H1S2A	230	50	40	0.24	0.39	2780	4.66	165	16.6	0.65	---	50	0.9
		60	39	0.21	0.34	3200	5.33	188	22.4	0.88	---	60	

# UF160DPB Series

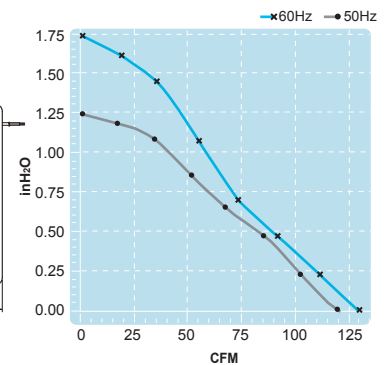
Size : 220 x 220 x 56.2  
Unit : mm



Thermally-Protected



(Blower Fan)



Lead Wire Type



Spec.	Rated Voltage	Frequency	Input Power	Rated Current	Locked Current	Speed	Maximum Air Flow	Maximum Air Flow	Maximum Pressure	Maximum Pressure	Noise	Weight
Model	V	Hz	W	A	A	RPM	m <sup>3</sup> /min.	CFM	mmH <sub>2</sub> O	InchH <sub>2</sub> O	dB	kg
UF160DPB11H1S2A	115	50	50	0.70	0.94	2700	3.3	118	33	1.3	63	1.73
		60	52	0.60	0.80	2900	3.6	126	46	1.8	65	
UF160DPB23H1S2A	230	50	50	0.40	0.46	2700	3.3	118	33	1.3	63	1.73
		60	53	0.30	0.40	2900	3.6	126	46	1.8	65	