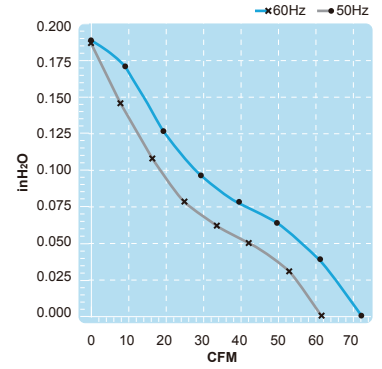
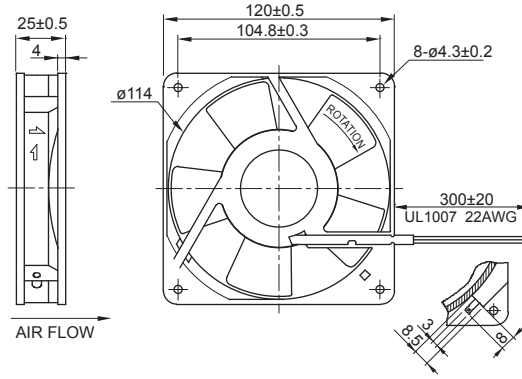
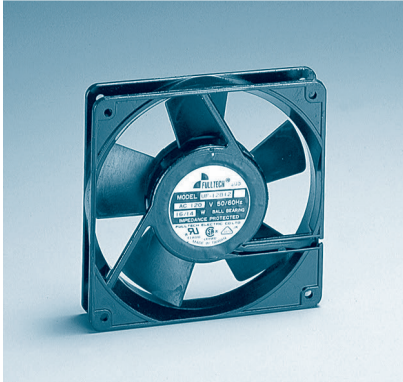


UF12B Series

Size : 120 x 120 x 25
Unit : mm



Impedance-Protected

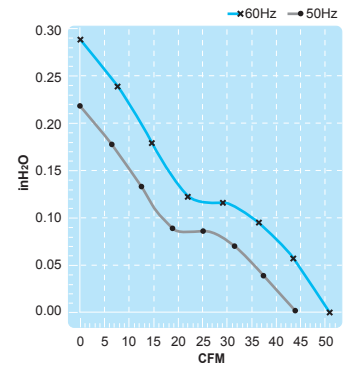
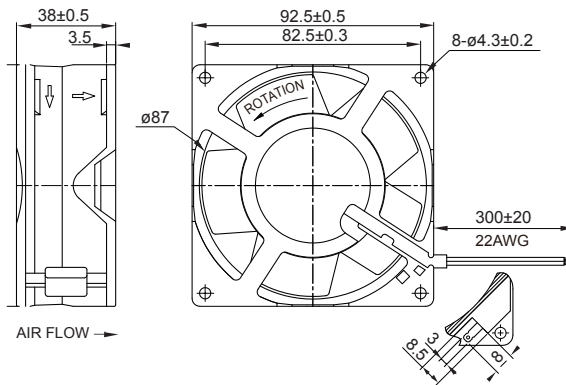
Terminal or Lead Wire Type



Spec.	Rated Voltage	Frequency	Input Power	Rated Current	Locked Current	Speed	Maximum Air Flow	Maximum Air Flow	Maximum Pressure	Maximum Pressure	Noise	Weight
Model	V	Hz	W	A	A	RPM	m ³ /min.	CFM	mmH ₂ O	InchH ₂ O	dB	kg
UF12B10-H	100	50	16	0.19	0.20	2400	1.8	62	4.7	0.19	38	0.33
		60	14	0.18	0.19	2900	2.1	75	4.7	0.19	42	
UF12B11-H	115	50	14	0.15	0.16	2400	1.8	62	4.7	0.19	38	0.33
		60	11	0.12	0.15	2900	2.1	75	4.7	0.19	42	
UF12B20-H	200	50	15	0.09	1.00	2400	1.8	62	4.7	0.19	38	0.33
		60	12	0.07	0.08	2900	2.1	75	4.7	0.19	42	
UF12B23-H	230	50	16	0.08	0.09	2400	1.8	62	4.7	0.19	38	0.33
		60	14	0.07	0.08	2900	2.1	75	4.7	0.19	42	
UF12B11-L	115	50	14	0.14	0.15	1600	1.3	42	1.8	0.07	31	0.33
		60	11	0.11	0.12	2000	1.5	53	2.7	0.11	33	
UF12B23-L	230	50	16	0.07	0.08	1600	1.3	42	1.8	0.07	31	0.33
		60	14	0.06	0.07	2000	1.5	53	2.7	0.11	33	

UF92A(M) Series

Size : 92.5 x 92.5 x 38
Unit : mm * Metal Impeller



Impedance-Protected

Terminal or Lead Wire Type



Spec.	Rated Voltage	Frequency	Input Power	Rated Current	Locked Current	Speed	Maximum Air Flow	Maximum Air Flow	Maximum Pressure	Maximum Pressure	Noise	Weight
Model	V	Hz	W	A	A	RPM	m ³ /min.	CFM	mmH ₂ O	InchH ₂ O	dB	kg
UF92AM10-H	100	50	12	0.16	0.20	2700	1.25	44	6.0	0.24	37	0.43
		60	11	0.15	0.19	3200	1.45	51	7.5	0.30	42	
UF92AM11-H	115	50	12	0.13	0.19	2700	1.25	44	6.0	0.24	37	0.43
		60	11	0.11	0.17	3200	1.45	51	7.5	0.30	42	
UF92AM20-H	200	50	12	0.08	0.10	2700	1.25	44	6.0	0.24	37	0.43
		60	11	0.07	0.09	3200	1.45	51	7.5	0.30	42	
UF92AM23-H	230	50	12	0.06	0.09	2700	1.25	44	6.0	0.24	37	0.43
		60	11	0.05	0.08	3200	1.45	51	7.5	0.30	42	