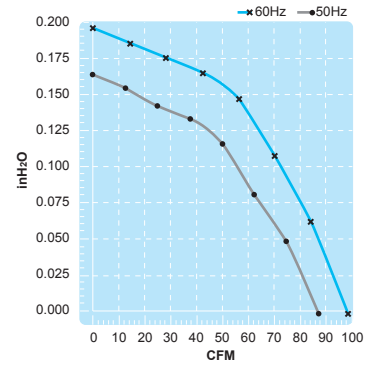
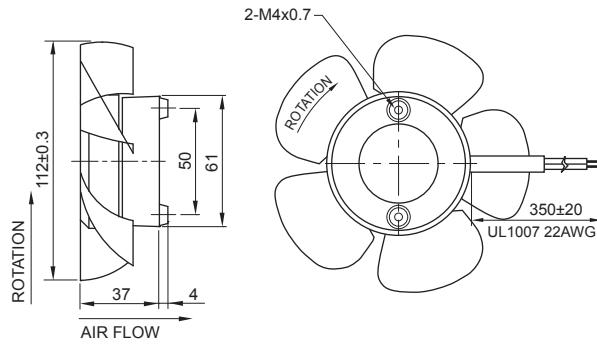
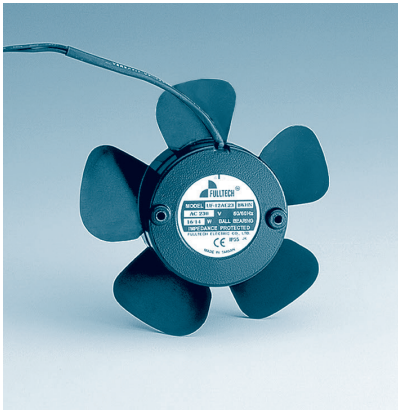


# UF12A(E) Series

Size :  $\varnothing 112 \times 41$   
Unit : mm



Impedance-Protected

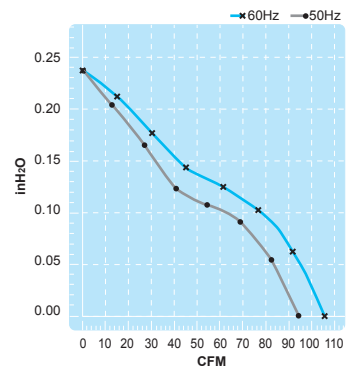
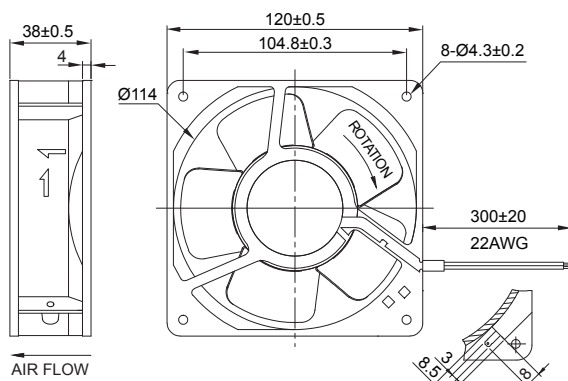
Lead Wire Type



Spec. Model	Rated Voltage V	Frequency Hz	Input Power W	Rated Current A	Locked Current A	Speed RPM	Maximum Air Flow m <sup>3</sup> /min.	Maximum Air Flow CFM	Maximum Pressure mmH <sub>2</sub> O	Maximum Pressure InchH <sub>2</sub> O	Noise dB	Weight kg
UF12AE11-H	115	50	15	0.21	0.28	2700	2.4	85	4.0	0.15	38	0.37
		60	13	0.17	0.24	3000	2.7	95	4.8	0.18	42	
UF12AE23-H	230	50	16	0.11	0.14	2700	2.4	85	4.0	0.15	38	0.37
		60	14	0.09	0.12	3000	2.7	95	4.8	0.18	42	

# UF12A(MR) Series

Size : 120 x 120 x 38  
Unit : mm



Impedance-Protected

Terminal or Lead Wire Type



Spec. Model	Rated Voltage V	Frequency Hz	Input Power W	Rated Current A	Locked Current A	Speed RPM	Maximum Air Flow m <sup>3</sup> /min.	Maximum Air Flow CFM	Maximum Pressure mmH <sub>2</sub> O	Maximum Pressure InchH <sub>2</sub> O	Noise dB	Weight kg
UF12AMR11-H	115	50	18	0.22	0.26	2600	2.7	95	6.4	0.25	49	0.55
		60	16	0.19	0.23	2900	3.0	106	6.1	0.24	51	
UF12AMR23-H	230	50	20	0.12	0.15	2600	2.7	95	6.4	0.25	49	0.55
		60	18	0.11	0.13	3000	3.0	106	6.1	0.24	51	