

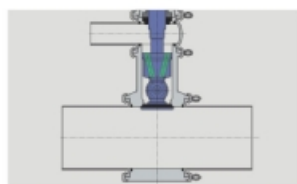
气动截止阀+清洗球 Pneumatic globe valve + cleaning ball

技术特点

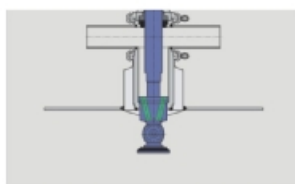
该清洗阀，主要解决了因清洗球长期泡在介质中形成的死角而容易细菌繁殖而污染介质。该阀门开启时清洗，关闭时保持清洗球与介质不接触，从而避免了死角。

Technical features

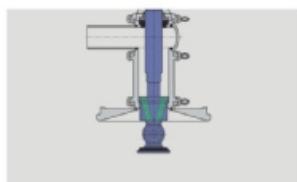
The flushing valve, mainly solved by cleaning ball long soak in the medium forming bacteria and dead easy contamination media. When the valve is opened to clean and maintain the cleaning medium is not in contact with the ball is closed, thus avoiding the dead angle.



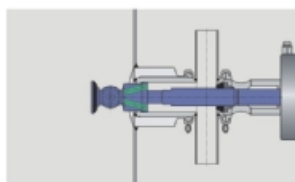
卡箍连接



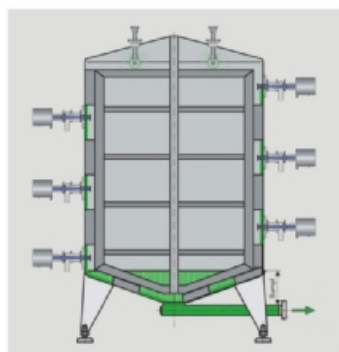
对焊连接



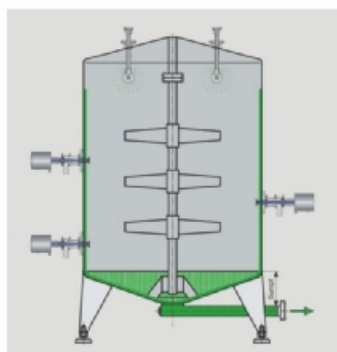
法兰连接



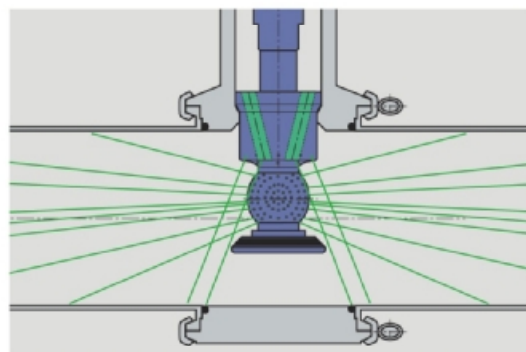
侧面焊接连接



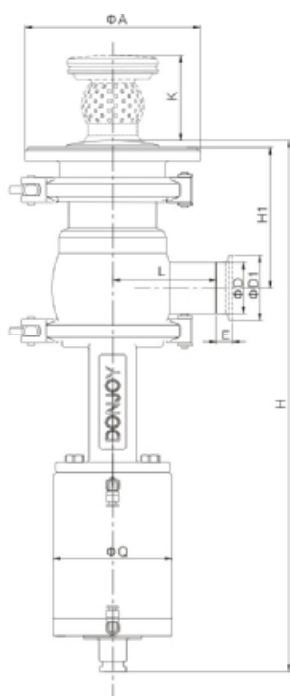
容器设备清洗示例



容器设备清洗示例



管道清洗示例



NO.VHX800Q1

DIN气动截止换向阀+清洗球
DIN Pneumatic Divert Seat Valve

SIZE	D	D1	Q	A	L	H1	H	K	E
DN25	28	50.5	88	130	70	98	433	53	12.7
DN40	41	50.5	88	130	80	104	443	53	12.7
DN50	52	64	113	150	80	111	476	53	12.7

INCH气动截止换向阀+清洗球
INCH Pneumatic Divert Seat Valve

SIZE	D	D1	Q	A	L	H1	H	K	E
1"	25.4	50.5	88	130	70	98	433	53	12.7
1.5"	38.1	50.5	88	130	80	104	443	53	12.7
2"	50.8	64	113	150	80	111	476	53	12.7

如您，需更大的规格请联系东正！
 Such as your need larger size, please contact the Theotokos!