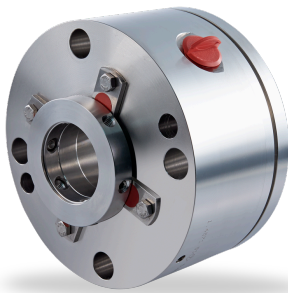


RELY ON EXCELLENCE

SH

Mechanical seals | Mechanical seals for pumps | Engineered seals



Features

- Single seal
- Balanced
- Cartridge unit
- Stationary multiple springs
- Shrink-fitted seal ring
- Solid mating ring

Advantages

- Engineered seal for extended requirements
- Deformation-optimized seal for high pressure and high sliding velocity
- Insensitive to shaft deflections due to stationary design
- Version for extreme applications available

Operating range

Shaft diameter:

$d_1 = 40 \dots 110 (250) \text{ mm} (1.57" \dots 4.33 (9.84)''$

Pressure:

$p_1 = 42 (150) \text{ bar} (609 (2,175) \text{ PSI})$

Temperature:

$t = -40 \text{ }^\circ\text{C} \dots +176 (+200) \text{ }^\circ\text{C} (-40 \text{ }^\circ\text{F} \dots +350 (+394) \text{ }^\circ\text{F})$

Sliding velocity:

$vg = 23 (60) \text{ m/s} (76 (197) \text{ ft/s})$

Axial movement: $\pm 3.0 \text{ mm}$

Materials

Seal ring: Blister resistant carbon, Silicon carbide SSiC (Q1), RBSiC (Q2, Q3)

Mating ring:

Silicon carbide SSiC (Q1), RBSiC (Q2)

Secondary seals:

EPDM (E), NBR (P), FKM (V), FFKM (K)

Springs: Hastelloy® C-4 (M)* and C-276 (M5)

Metal parts: CrNiMo steel 316 (G) or equivalent,

optional materials on request.

* EagleBurgmann standard

Standards and approvals

Following the API 682 / ISO 21049; following the API 682 4th ed. Cat 2/3 - 1CW-FL

Recommended applications

- Oil and gas industry
- Refining technology
- Chemical industry
- Crude oil feed pumps
- Injection pumps
- Multiphase pumps

Recommended piping plans

Process side:

[API Plan 01](#)

[API Plan 02](#)

[API Plan 03](#)

[API Plan 11](#)

[API Plan 12](#)

[API Plan 13](#)

[API Plan 14](#)

[API Plan 21](#)

[API Plan 22](#)

[API Plan 23](#)

[API Plan 31](#)

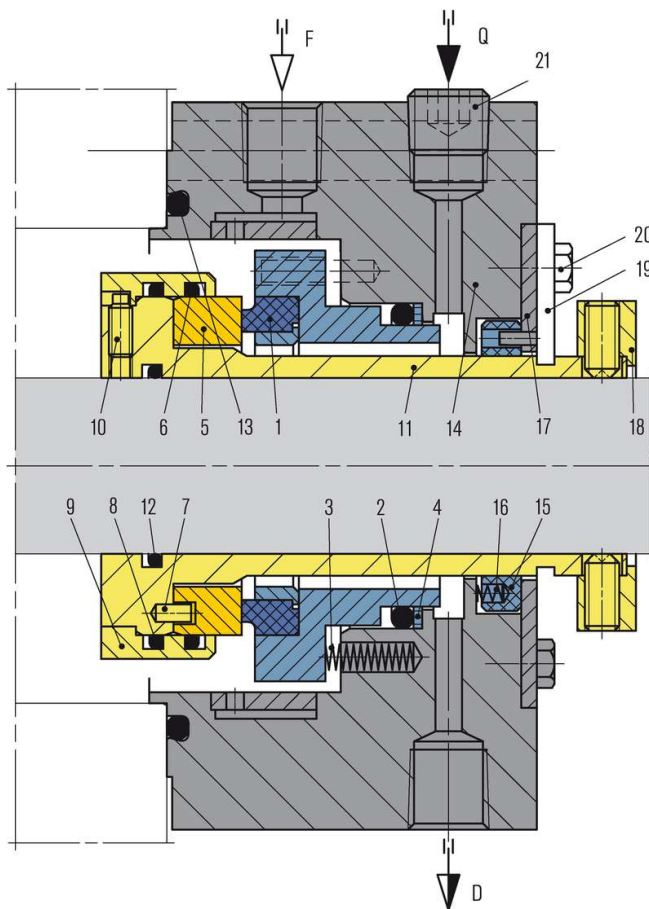
[API Plan 32](#)

[API Plan 41](#)

RELY ON EXCELLENCE

Atmospheric side:

[API Plan 51](#)
[API Plan 61](#)
[API Plan 62](#)
[API Plan 65A](#)
[API Plan 65B](#)
[API Plan 66A](#)
[API Plan 66B](#)



Item	Description
1	Seal ring
2, 6, 8, 12, 13	O-Ring
3, 16	Spring
4	Thrust ring
5	Mating ring
7, 10	Set screw
9	Sleeve
11	Seal sleeve
14	Gland plate
15	Throttle ring
17	Disk
18	Set ring
19	Setting device
20	Hexagon bolt
21	Plug

F Flush
 Q Quench
 D Drain

Drawing shows type SHV

Dimensions

Dimensions on request.