

RELY ON EXCELLENCE

SeccoLip481

Mechanical seals | Agitator seals | Dry running seals



Features

- For top entry drives, on request other drives possible
- Dry-running
- Modular and flexible design
- Compensation of shaft deflection by patented technology
- Independent of direction of rotation
- Cartridge unit

Advantages

- Available as a ready-to-mount cartridge for quick and easy installation
- Tested technology ensures safe use
- Dry-running lip seal - depending on the application no supply system is necessary
- No additional rolling bearing required, but optionally available
- Sealing element made of bright chemically highly resistant PTFE compound
- ATEX certificate on request
- Customized adjustments possible

Operating range

Shaft diameter (on stock): $d_1 = 40 \dots 125 \text{ mm}$ (1.57" ... 4.92")

Special shaft diameters between 25 mm and 200 mm possible (0.98" ... 7.87")

Pressure: $p_1 = \text{vacuum} \dots 6 \text{ bar}$ (87 PSI)

Temperature: $-10 \text{ °C} \dots +200 \text{ °C}$ (14 °F ... +392 °F)

Sliding velocity: $v_g = 0 \dots 2 \text{ m/s}$ (0 ... 6 ft/s)

Axial movement: $\pm 3.0 \text{ mm}$

Radial movement: 1.0 mm (up to 3 mm on request)

For applications beyond this range, please inquire.

! It should be noted that the extremal values of each operating parameter cannot be applied at the same time because of their interaction.

Materials

Lip sealing element: bright chemically highly resistant PTFE-compound with FDA

Secondary seals: FKM (V)

Metallic parts: 316L / 1.4404

Other materials are possible, depending on customer requirements.

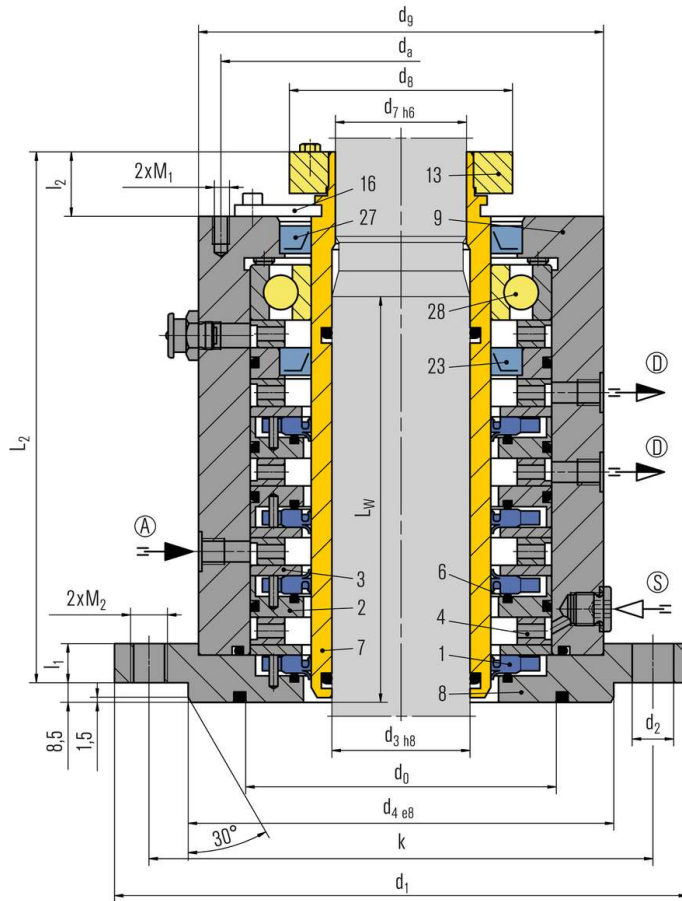
Standards and approvals

- FDA
- ATEX
- TA-Luft

Recommended applications

- Chemical industry
- Petrochemical industry
- Pharmaceutical industry
- Food and beverage industry
- Agitators
- Mixers
- Reactors

RELY ON EXCELLENCE



SeccoLip 481L-4

Item Description

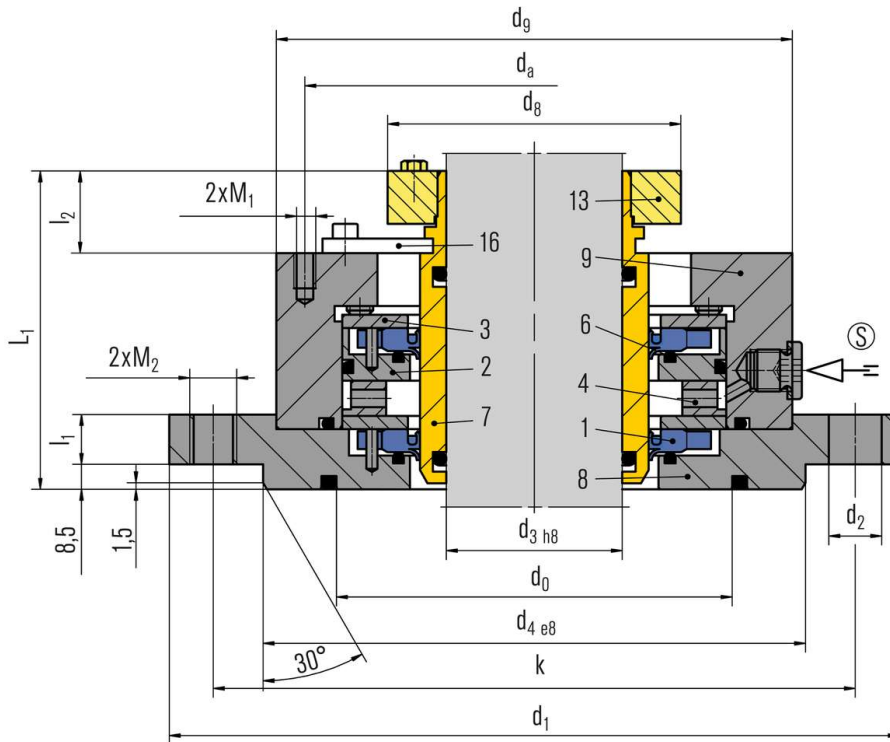
- 1 Lip seal
- 2 Inset
- 3 Disc
- 4 Insert ring
- 6 O-Ring
- 7 Shaft sleeve
- 8 Flange
- 9 Housing
- 13 Shrink disc
- 16 Setting device
- 23 Spacer ring
- 27 Lip seal
- 28 Sliding bearing

RELY ON EXCELLENCE

SeccoLip 481-2

Item Description

- 1 Lip seal
- 2 Inset
- 3 Disc
- 4 Insert ring
- 6 O-Ring
- 7 Shaft sleeve
- 8 Flange
- 9 Housing
- 13 Shrink disc
- 16 Setting device



Dimensions

d_3	d_1	$n \times d_2$	d_4	d_0	k	d_g	d_g	L_1	l_1	l_2	d_a	M_1	M_2	S
40	175	4x18	110	90	145	80	175	91.5	19.5	26	145	M8	M16	G1/4
50	240	8x18	176	135	210	90	168	91.5	19.5	28	153	M8	M16	G1/4
60	240	8x18	176	135	210	100	178	91.5	18	27.5	155	M8	M16	G1/4
80	275	8x22	204	155	240	130	198	100.5	21	33.5	175	M8	M20	G1/4
100	305	8x22	234	190	270	150	218	102.5	23	33.5	195	M8	M20	G1/4
125	330	8x22	260	215	295	179	243	107.5	23	38.5	220	M8	M20	G1/4

SeccoLip 481-2 Dimensions in millimeter

RELY ON EXCELLENCE

Dimensions

d ₃	d ₇	d ₁	nxd ₂	d ₄	d ₀	k	d ₈	d ₉	L ₂	L _w	l ₁	l ₂	d _a	M ₁	M ₂	A, D, S
40	38	175	4x18	110	90	145	80	175	198.5	143	19.5	27.5	145	M8	M16	G1/4
50	48	240	8x18	176	135	210	90	168	205.5	148	19.5	29	155	M8	M16	G1/4
60	58	240	8x18	176	135	210	100	178	205.5	158	18	29	155	M8	M16	G1/4
80	78	275	8x22	204	155	240	130	198	216.5	168	21	35	184	M8	M20	G1/4
100	98	305	8x22	234	190	270	150	218	232.5	178	23	37	195	M8	M20	G1/4
125	120	330	8x22	260	215	295	179	243	245.5	203	23	47	222	M8	M20	G1/4

SeccoLip 481L-4 Dimensions in millimeter