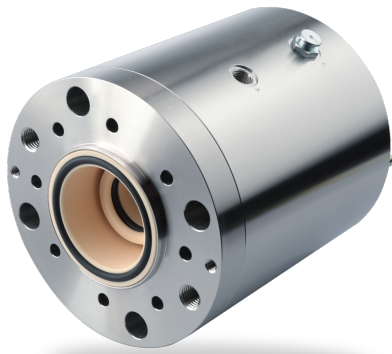


RELY ON EXCELLENCE

SeccoLip461

Mechanical seals | Agitator seals | Dry running seals



Features

- For top entry drives, on request for side and bottom entry drives
- For glass-lined vessels
- Dry-running
- Modular and flexible design
- Compensation of shaft deflection by patented technology
- Independent of direction of rotation
- Cartridge unit

Advantages

- Available as a ready-to-mount cartridge for quick and easy installation
- Ready-to-fit and factory-tested units
- Safe and environmentally compatible technology
- The glass-lined flange does not have to be replaced - an adaptation is possible
- No monitoring necessary
- No cost-intensive supply system necessary
- Low maintenance requirements
- No additional roller bearing necessary, but optionally available
- Sealing element made of bright chemically highly resistant PTFE compound
- ATEX certification available on request
- Customized adjustments possible

Operating range

Shaft diameter (on stock): d1 = 40 ... 125 mm (1.57" ... 4.92")

Special shaft diameters between 25 mm and 200 mm possible (0.98" ... 7.87")

Pressure: p1 = vacuum ... 6 bar (87 PSI)

Temperature: -10 °C ... +200 °C (14 °F ... +392 °F)

Sliding velocity: v_g = 0 ... 2 m/s (0 ... 6 ft/s)

Axial movement: ±3.0 mm

Radial movement: 1.0 mm (up to 3 mm on request)

For applications beyond this range, please inquire.

! It should be noted that the extremal values of each operating parameter cannot be applied at the same time because of their interaction.

Materials

Lip sealing element: bright chemically highly resistant PTFE-compound

Secondary seals: FKM (V)

Adapter: AL-Oxid

Metallic parts: 316L /1.4404

Other materials are possible, depending on customer requirements.

Standards and approvals

- FDA
- ATEX
- TA-Luft

Recommended applications

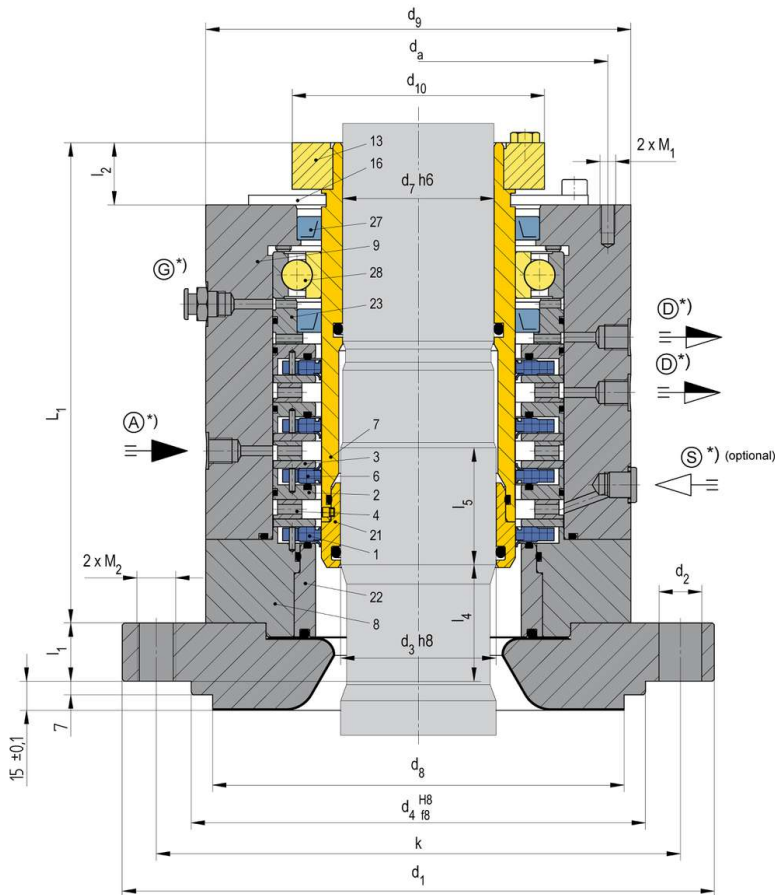
- Chemical industry
- Pharmaceutical industry
- Food and beverage industry
- Non-toxic media
- Agitators
- Mixers
- Reactors

RELY ON EXCELLENCE

SeccoLip461L-4

Item Description

- 1 Lip seal
- 2 Inset
- 3 Disc
- 4 Insert ring
- 6 O-Ring
- 7 Shaft sleeve
- 8 Flange
- 9 Housing
- 13 Shrink disc
- 16 Setting device
- 23 Spacer ring
- 27 Lip seal
- 28 Sliding bearing



Dimensions

d ₃ ¹⁾	d ₇ ¹⁾	Nominal size	Flange size ²⁾	d ₁	nxd ₂ ²⁾	d ₄	nxd ₅	d ₆	d ₈	k	d ₉	d ₁₀	L ₁	l ₁	l ₂	d _a	M ₁	M ₂	A, D, S
40	38	40	E125	175	4x18	110	-	-	102	145	175	80	216.5	25	26	150	M8	M16	G1/4
50	48	50	E200	240	8x18	176	-	-	138	210	177	90	222	25	26	160	M8	M16	G1/4
60	58	60	E250	240	8x18	204	-	-	188	240	195	100	232	25	26	176	M8	M20	G1/4
80	78	80	E300	275	8x22	234	-	-	212	270	219	130	247	30	32	195	M8	M20	G1/4
100	98	100	E400	305	8x22	313	-	-	268	350	249	150	263	30	37	200	M8	M20	G1/4
100	98	100	E500	305	8x22	313	-	-	268	350	249	150	263	30	37	200	M8	M20	G1/4
125	120	100	E700	330	8x22	422	12x22	320	306	460	286	174	276	30	47	222	M8	M20	G1/4

Dimensions in millimeter

1) Shaft diameters d₁ and d₇ according to DIN 28159

2) Flange dimensions according to DIN 28137 T2