

RELY ON EXCELLENCE

HS-D

Mechanical seals | Agitator seals | Liquid-lubricated seals



Features

- For top entry drives
- Double seal
- Unbalanced
- Independent of direction of rotation
- Multiple springs rotating
- Liquid-lubricated
- Cartridge unit

Advantages

- Ready-to-fit and factory-tested unit
- With or without bearing available
- Patented hydrodynamic grooves
- Designed for medium pressure range
- Connection dimensions to customers' requirements
- Self-closing on product side
- ATEX certification on request

Operating range

Shaft diameter:
 $d_1 = 20 \dots 500 \text{ mm (0.79" ... 19.69")}$
 Pressure: $p_1 = \text{vacuum} \dots 30 \text{ bar (... 435 PSI)}$
 Temperature:
 $t_1 = -40 \text{ °C ... } +200 \text{ (350*) °C}$
 $(-40 \text{ °F ... } +392 \text{ (662*) °F})$
 Sliding velocity:
 $vg = 0 \dots 5 \text{ m/s (0 ... 16 ft/s)}$

* with cooling flange

For applications beyond this range, please inquire.

! It should be noted that the extremal values of each operating parameter cannot be applied at the same time because of their interaction.

Materials

Seal faces: Carbon graphite or Silicon carbide, FDA conform
 Seats: Silicon carbide, FDA conform
 Secondary seals and metallic parts acc. to application and customers' requirement.

Standards and approvals

- FDA

Notes

Options:

- Cooling resp. heating flange
- Leakage drain
- Flush
- Polymerization barrier

Recommended applications

- Refining technology
- Petrochemical industry
- Chemical industry
- Pharmaceutical industry
- Reactors
- Agitators
- Special rotating equipment

Recommended piping plans

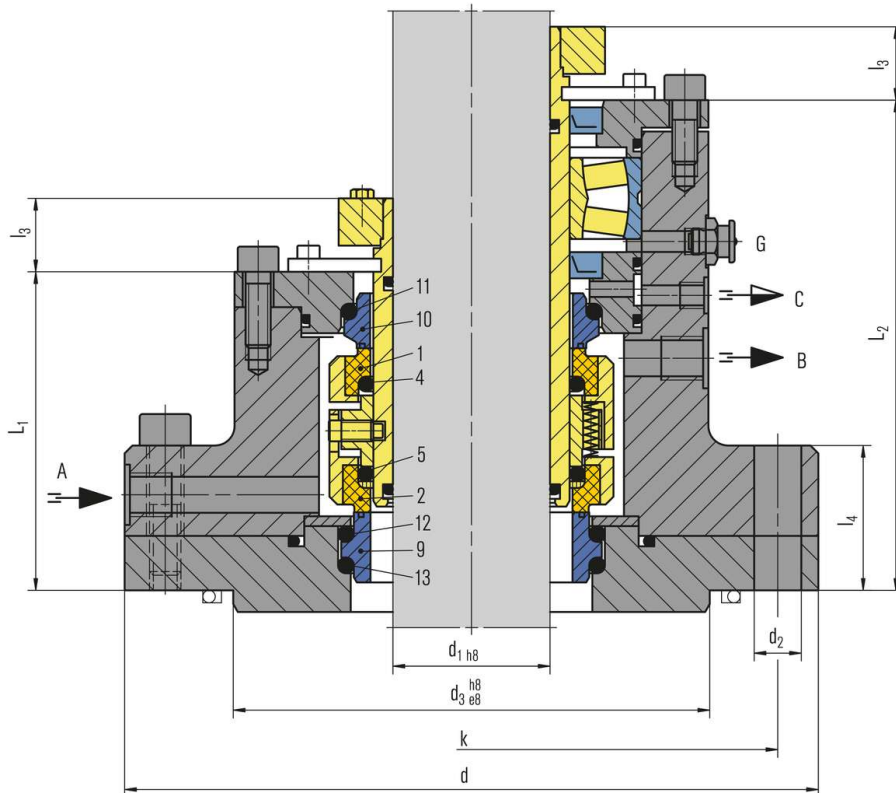
Open circuit

e.g. EagleBurgmann SPA, EagleBurgmann SPN

Product links:

- [EagleBurgmann SPA](#)
- [EagleBurgmann SPN manual](#)
- [EagleBurgmann SPN automatic](#)

RELY ON EXCELLENCE

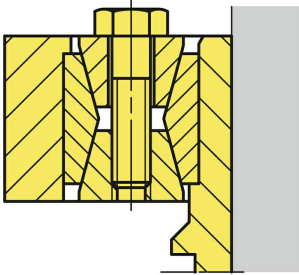


Item no.	Description
1	Seal face, atmosphere side
2	Seal face, product side
4, 5, 11, 12, 13	O-Ring
9	Seat, product side
10	Seat, atmosphere side

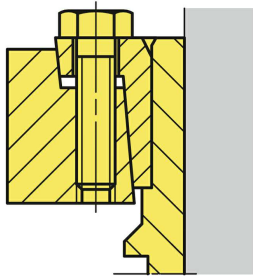
RELY ON EXCELLENCE

Torque transmissions

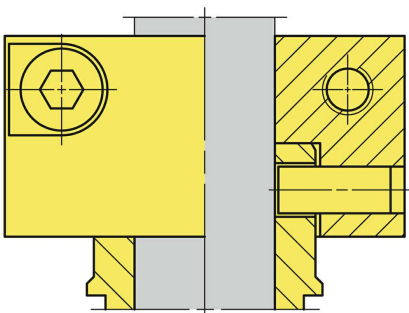
Clamping set



Shrink disk

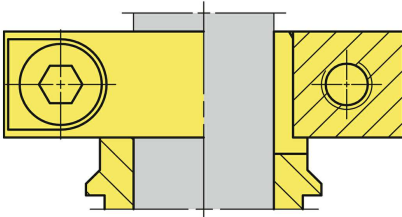


Clamping ring with pin



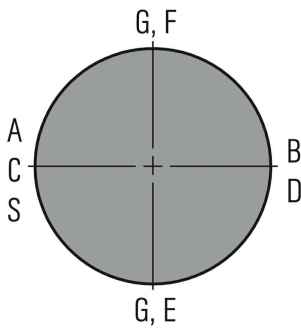
RELY ON EXCELLENCE

Clamping ring



RELY ON EXCELLENCE

Installation, details, options

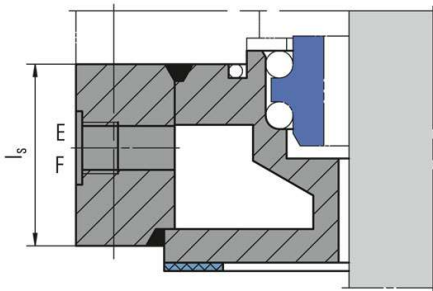


Supply connections

- A Barrier fluid IN
- B Barrier fluid OUT
- C Drainage
- D Leakage drain
- E Cooling IN
- F Cooling OUT
- G Grease
- S Flush

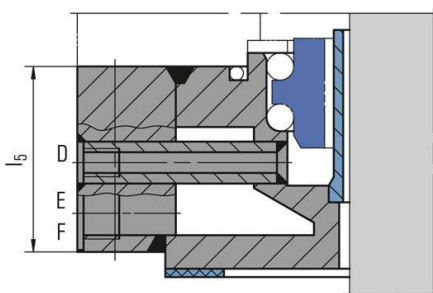
Cooling flange

Can be used alternatively as a heating flange.

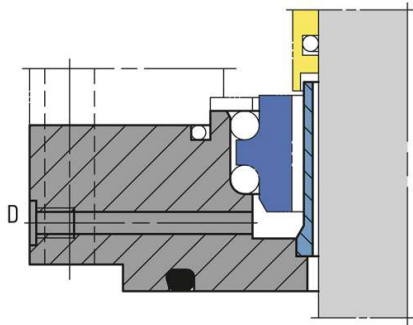


Leakage drain with cooling flange

Can be used alternatively as a flush or as a heating flange.

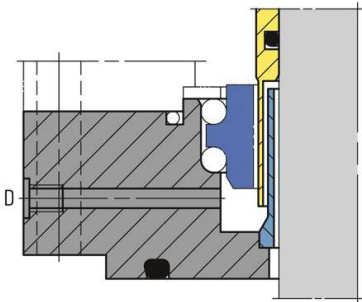


RELY ON EXCELLENCE



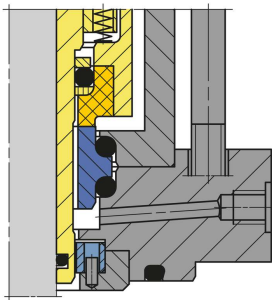
Leakage drain

Can be used alternatively as a flush.



Polymerization barrier

Can be used alternatively as a leakage drain or a flush.



Flush

RELY ON EXCELLENCE

Product variants

HS ... -D

Double seal

HS .. L-D

Double seal with integrated floating bearing.

HS ..(L)U-D

Double seal for bottom and side entry drives with or without floating bearing.

These seals are designed to be self-closing on the product side, i.e. they will remain closed even with pressure variations or a pressure reversal.

Dimensions

d ₁	d	n x d ₂	d ₃	[k	l ₁	l ₂	l ₃	l ₄
40	200	6 x 18	80	170	115	170	35	45
50	230	8 x 18	100	200	120	185	35	55
60	255	8 x 18	120	225	140	210	35	60
80	295	8 x 23	145	260	145	230	44	60
100	315	8 x 23	170	280	160	245	44	65
120	345	8 x 23	190	310	160	250	50	65
140	380	12 x 23	215	345	165	265	50	65
160	440	12 x 27	240	395	185	300	50	75
180	475	12 x 27	260	430	185	310	55	75
200	465	12 x 27	290	420	190	290	55	75

Dimensions in millimeter