

RELY ON EXCELLENCE

H75VK

Mechanical seals | Mechanical seals for pumps | Pusher seals



Features

- Dual seal
- Cartridge unit
- Design acc. to API 682 / ISO 21049
- Category 2/3, Type A, Arrangement 2 or 3
- Bi-directional design available
- Rotating multiple springs
- Integrated pumping device available
- Suitable for pressure reversals

Advantages

- Fits to any seal chamber
- Universally applicable both for retrofits or original equipment
- Efficient stock-keeping due to standardized components
- Extended selection of materials
- Extended field of operation in terms of temperature and pressure
- Optimized torque transmission
- Metal parts also in special materials available
- Safe operation due to metal torque transmission at the rotating seat

Operating range

Shaft diameter:

$d = 20 \dots 110 \text{ mm} (0.79 \dots 4.33 \text{")}$ *

Pressure: $p_1 = 40 \text{ bar} (580 \text{ PSI})$

Temperature:

$t = -40 \text{ °C} \dots +220 \text{ °C} (-40 \text{ °F} \dots 428 \text{ °F})$

Sliding velocity: $v_g = 23 \text{ m/s} (75 \text{ ft/s})$

Axial movement: $\pm 2.0 \dots 4.0 \text{ mm}$ depending on diameter and installation situation

* Other sizes on request

Materials

Seal face: Carbon graphite antimony

impregnated (A), Silicon carbide (Q1, Q2)

Seat: Silicon carbide (Q1, Q2)

Secondary seals: EPDM (E), NBR (P), FKM (V), FFKM (K)

Springs: Hastelloy® C-4 (M)

Metal parts: CrNiMo steel (G), Duplex (G1),

Hastelloy® C-4 (M)

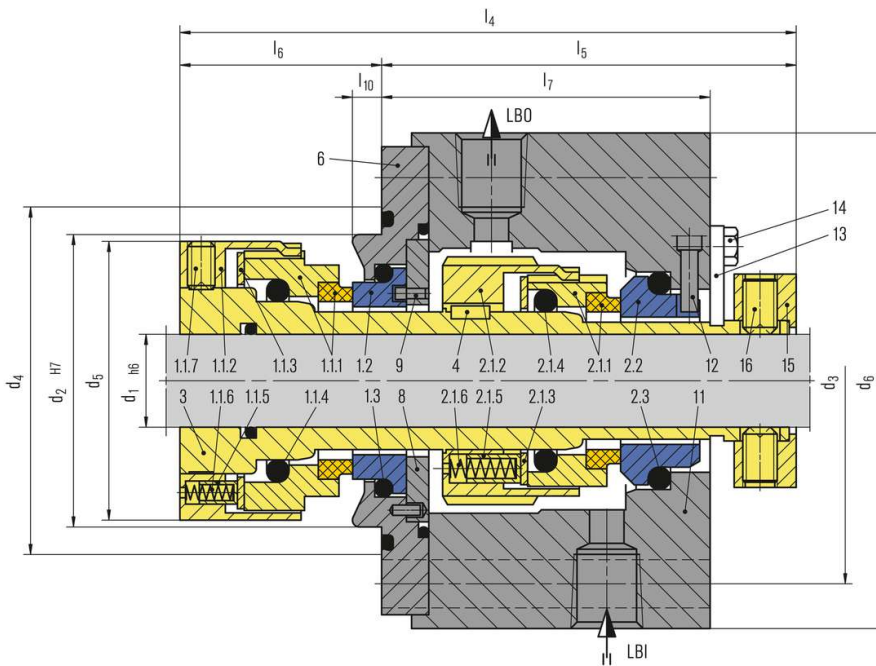
Standards and approvals

- API 682 / ISO 21049

Recommended applications

- Oil and gas industry
- Refining technology
- Petrochemical industry
- Power plant technology
- Light volatile and highly viscous hydrocarbons
- API 610 / ISO 13709 pumps
- Process pumps

RELY ON EXCELLENCE



Item	Description
1.1.1, 2.1.1	Seal face
1.1.2, 2.1.2	Driver
1.1.3, 2.1.3	Thrust ring
1.1.4, 2.1.4, 1.3, 2.3	O-Ring
1.1.5, 2.1.5	Sleeve
1.1.6, 2.1.6	Spring
1.1.7, 16	Set screw
1.2, 2.2	Seat
3	Shaft sleeve
4	Key
6	Adapter
8	Washer
9	Pin
11	Housing
12	HSH cap screw
13	Assembly fixture
14	Hexagon bolt
15	Set ring

RELY ON EXCELLENCE

Product variants

H75VK-D

Dual seal in back-to-back arrangement. Suitable for API 610 table 6 seal chambers.

