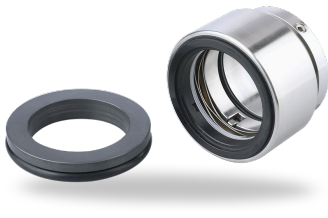


RELY ON EXCELLENCE

eHJ

Mechanical seals | Mechanical seals for pumps | Pusher seals



Features

- For unstepped shafts
- Single seal
- Balanced
- Independent of direction of rotation
- Encapsulated rotating spring

Advantages

- Especially designed for solids containing and highly viscous media
- Springs are protected from the product
- Rugged and reliable design
- No damage of the shaft by dynamically loaded O-Ring
- Universal application
- Variants for sterile operation available
- Increased axial movement
- DiamondFace coating possible
- Spring protection and vibration damping
- Insensitive to temperature changes
- 100 % compatible to HJ9... for 11k

Operating range

Shaft diameter:

d1 = 18 ... 100 mm (0.71" ... 4")

Pressure:

p1*) = vacuum ... 40 bar (vacuum ... 580 PSI)

Temperature:

t = -50 °C ... +220 °C (-58 °F ... +430 °F)

Sliding velocity: vg = 20 m/s (66 ft/s)

Axial movement:

d1 = 18 ... 25 mm: ±0,5 mm

d1 = 28 ... 55 mm: ±0,8 mm

d1 = 60 ... 100 mm: ±1,0 mm

* An integral stationary seat lock is not needed within the permissible low pressure range. For prolonged operation under vacuum it is necessary to arrange for quenching on the atmospheric side.

Materials

Seal face: Carbon graphite antimony impregnated (A), Carbon graphite resin impregnated (B), Silicon carbide (eSIC-Q7)
 Seat G6: Silicon carbide (eSIC-Q7)
 Secondary seals: E, EL, V, V16, K, KL, P
 Springs: CrNiMo steel (G)
 Face housing: CrNiMo steel (G)
 Driver: Duplex (G1)

Standards and approvals

- EN 12756

Notes

Variant for sterile applications available. Please inquire.

Recommended applications

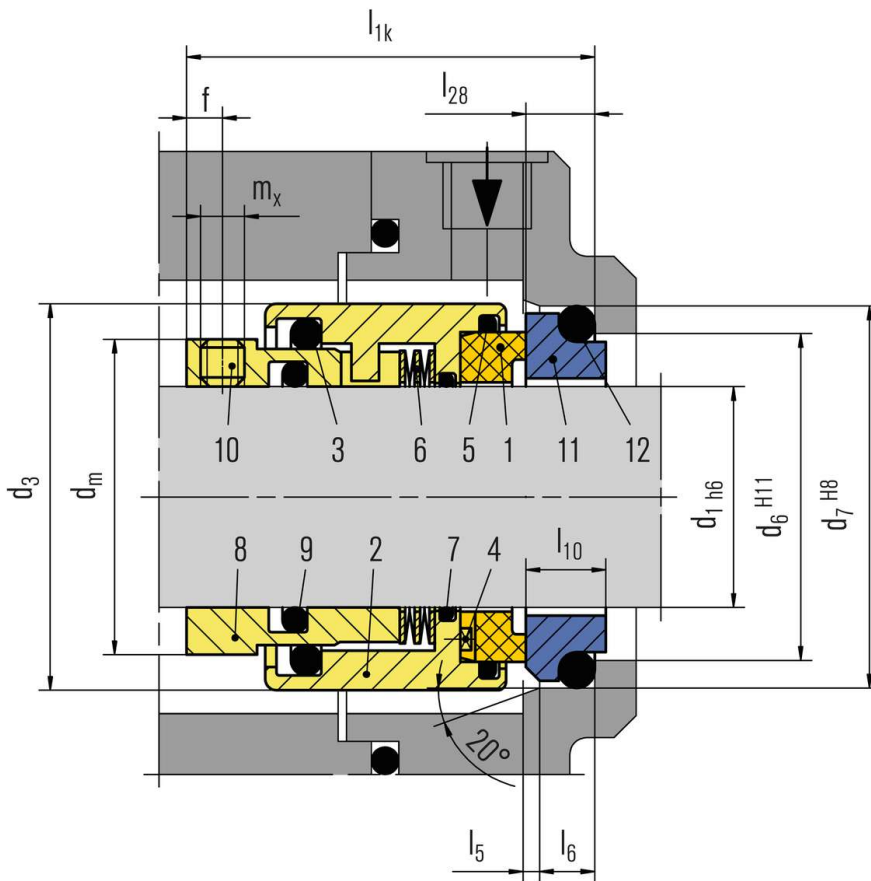
eHJ

- Water and waste water technology
- Drinking water
- Chemical industry
- Oil and Gas
- Petrochemical industry
- Refining technology
- Pulp and paper industry
- Power plant technology
- Mining industry
- Metal production and processing
- Special applications (Cement, ...)
- Shipping Industry

eSHJ

- Food and beverage industry
- Pharmaceutical industry

RELY ON EXCELLENCE

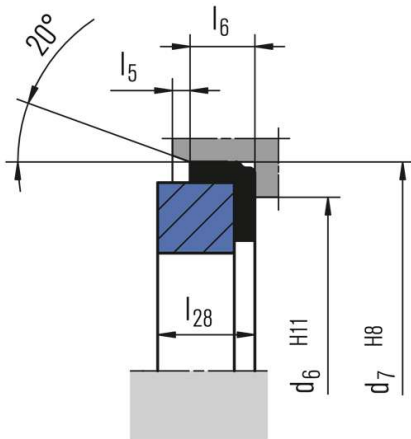


eHJ

Item	Description
1	Seal face
2	Face housing
3, 5, 7, 9, 12	O-Ring
4	Square pin
6	Spring
8	Driver
10	Set screw
11	Seat

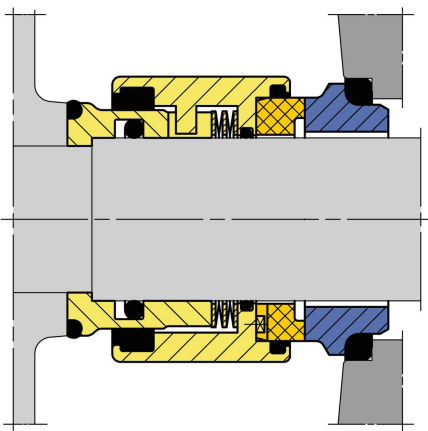
RELY ON EXCELLENCE

Seat alternatives



G60 (EN 12756)

Product variants



eSHJ

Variant for sterile applications.
Please inquire.

RELY ON EXCELLENCE

Dimensions

d ₁	d ₃	d ₆	d ₇	d _m	l _{1K}	l ₅	l ₆	l ₁₀	l ₂₈	f	m _x
18	32	27	33	26	37.5	2	5	8.5	7.5	2.8	M4
20	34	29	35	28	37.5	2	5	8.5	7.5	2.8	M4
22	36	31	37	30	37.5	2	5	8.5	7.5	2.8	M4
24	38	33	39	32.5	40	2	5	8.5	7.5	3.3	M5
25	39	34	40	33.5	40	2	5	8.5	7.5	3.3	M5
28	42	37	43	36.5	42.5	2	5	8.5	7.5	3.3	M5
30	44	39	45	38.5	42.5	2	5	8.5	7.5	3.3	M5
32	47	42	48	40.5	42.5	2	5	8.5	7.5	3.3	M5
33	47	42	48	41.5	42.5	2	5	8.5	7.5	3.3	M5
35	49	44	50	43.5	42.5	2	5	8.5	7.5	3.3	M5
38	54	49	56	47.5	45	2	6	10	9	3.3	M5
40	56	51	58	49.5	45	2	6	10	9	3.3	M5
43	59	54	61	52.5	45	2	6	10	9	3.3	M5
45	61	56	63	54.5	45	2	6	10	9	3.3	M5
48	64	59	66	57.5	45	2	6	10	9	3.3	M5
50	66	62	70	59.5	47.5	2.5	6	10.5	9.5	3.8	M6
53	69	65	73	62.5	47.5	2.5	6	12	11	3.8	M6
55	71	67	75	64.5	47.5	2.5	6	12	11	3.8	M6
60	80	72	80	70.5	52.5	2.5	6	12	11	3.8	M6
65	85	77	85	75.5	52.5	2.5	6	12	11	3.8	M6
70	90	83	92	84	60	2.5	7	12.5	11.3	5	M8
75	99	88	97	89	60	2.5	7	12.5	11.3	5	M8
80	104	95	105	94	60	3	7	13	12	5	M8
85	109	100	110	99	60	3	7	15	14	5	M8
90	114	105	115	104	65	3	7	15	14	5	M8
95	119	110	120	109	65	3	7	15	14	5	M8
100	124	115	125	114	65	3	7	15	14	5	M8

eHJ Dimensions in millimeter