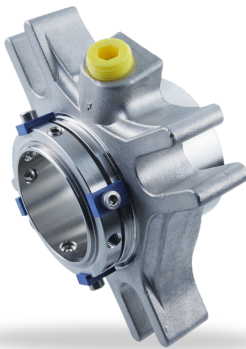


RELY ON EXCELLENCE

eCartex Single seals

Mechanical seals | Mechanical seals for pumps | Standard cartridge seals



Features

- Single seal
- Cartridge
- Balanced
- Independent of direction of rotation
- Single seals without connections (-SNO), with flush (-SN) and with quench combined with lip seal (-QN) or throttle ring (-TN)
- Additional variants available for ANSI pumps (e.g. -ABPN) and eccentric screw pumps (-Vario)

Advantages

- **The series has sliding surfaces that are equipped with EagleBurgmann DiamondFace technology as standard**
- Up to 80 % less energy consumption and minimized heat generation of seal due to friction-reducing DiamondFace layer
- Up to 100 % extended operating period, prolongation of MTBF and MTBR intervals
- Significantly improved dry-run capability for inadequately lubricated sealing surfaces, thus vastly improved process safety
- Universally applicable, even with high solids content in the medium

Operating range

Shaft diameter:
d1 = 25 ... 100 mm (1.000" ... 4.000")
Other sizes on request
Temperature:
t = -40 °C ... 220 °C (-40 °F ... 428 °F)
(Check O-Ring resistance)

Sliding face material combination BQ1
Pressure: p1 = 25 bar (363 PSI)
Sliding velocity: vg = 16 m/s (52 ft/s)

Sliding face material combination Q1Q1 or U2Q1:
Pressure: p1 = 12 bar (174 PSI)
Sliding velocity: vg = 10 m/s (33 ft/s)

Axial movement: ±1.0 mm, d1 ≥ 75 mm ±1.5 mm

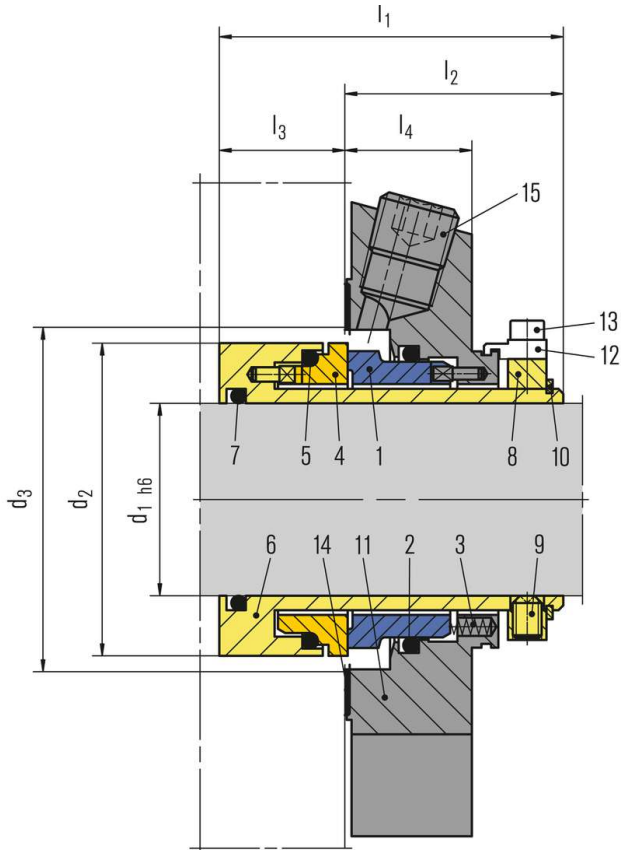
Materials

Seal face: Silicon carbide DiamondFace (Q15)
Seat: Silicon carbide DiamondFace (Q15)
Secondary seals: FKM (V), EPDM (E), FFKM (K), Perfluorcarbon rubber/PTFE (U1)
Springs: Hastelloy® C-4 (M)
Metal parts: CrNiMo steel (G), CrNiMo cast steel (G)

Recommended applications

- Process industry
- Petrochemical industry
- Chemical industry
- Pharmaceutical industry
- Power plant technology
- Pulp and paper industry
- Water and waste water technology
- Mining industry
- Food and beverage industry
- Sugar industry
- Universally applicable
- Centrifugal pumps
- Eccentric screw pumps
- Process pumps

RELY ON EXCELLENCE

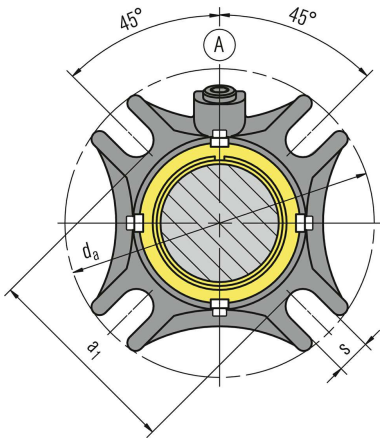


Item Description

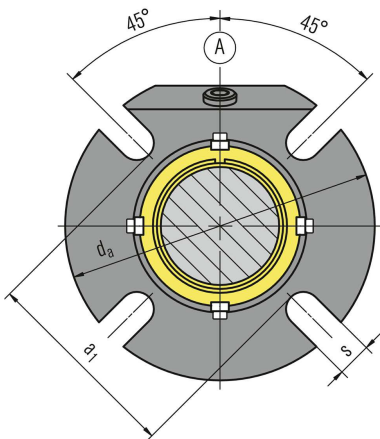
- | | |
|---------|-------------------------------------|
| 1 | Seal face |
| 2, 5, 7 | O-Ring |
| 3 | Spring |
| 4 | Seat |
| 6 | Shaft sleeve |
| 8 | Drive collar |
| 9 | Set screw |
| 10 | Snap ring |
| 11 | Cover |
| 12 | Assembly fixture |
| 13 | Screw |
| 14 | Gasket |
| 15 | Screw plug |
| 16 | Lip seal (-QN), throttle ring (-TN) |

RELY ON EXCELLENCE

Installation, details, options



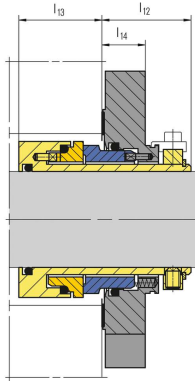
Seal cover
Cast version



Seal cover
Machined version

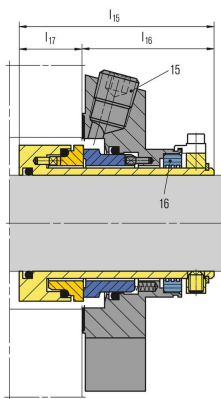
RELY ON EXCELLENCE

Product variants



eCartex-SNO

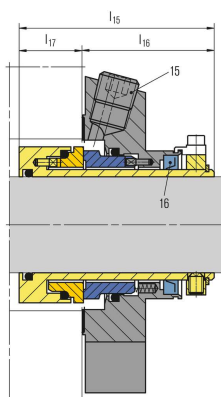
Single seal without connections, for dead-end operation.



eCartex-TN

Single seal for operation with unpressurized quench. Same as eCartex-SN but with throttle ring (item 16). The cover has auxiliary connections for flushing and quench.

Throttle ring: PTFE carbon-graphite reinforced (T12).



eCartex-QN

Single seal for operation with unpressurized quench. Same as '-SN' version but with outboard lip seal (item 16). The cover has auxiliary connections for flushing and quench.

Lip seal: NBR (P), PTFE carbon reinforced (T3).

RELY ON EXCELLENCE



eCartex-Vario

Cartridge seals with modified cover for eccentric screw pumps.

For e.g. Seepex BN,
Netzsch NM...S, NM...B, NE (P),
Allweiler AE, AEB, AED,
Robbins & Myers / Moyno 2000 CC,
and Mono E-Range.
Please inquire.

Dimensions

d ₁	d ₂	d _{3min.}	d _{3max.}	l ₁	l ₂	l ₃	l ₄	h ₁₂	h ₁₃	h ₁₄	h ₁₅	h ₁₆	h ₁₇	a ₁	d _a	s
1.000	1.693	1.750	2.000	2.640	1.669	0.969	1.000	1.378	1.260	0.689	3.130	2.102	1.028	2.440	4.134	0.520
1.125	1.811	1.875	2.050	2.640	1.669	0.969	1.000	1.378	1.260	0.689	3.130	2.102	1.028	2.440	4.134	0.520
1.250	1.960	2.000	2.250	2.640	1.669	0.969	1.000	1.378	1.260	0.689	3.130	2.102	1.028	2.640	4.330	0.520
1.375	2.086	2.125	2.420	2.640	1.669	0.969	1.000	1.378	1.260	0.689	3.130	2.102	1.028	2.750	4.449	0.520
1.500	2.200	2.250	2.625	2.640	1.669	0.969	1.000	1.378	1.260	0.689	3.130	2.102	1.028	2.950	4.842	0.520
1.625	2.340	2.375	2.700	2.640	1.669	0.969	1.000	1.378	1.260	0.689	3.130	2.102	1.028	3.030	4.842	0.599
1.750	2.460	2.500	2.812	2.640	1.669	0.969	1.000	1.378	1.260	0.689	3.130	2.102	1.028	3.190	5.433	0.599
1.875	2.582	2.625	2.940	2.640	1.669	0.969	1.000	1.378	1.260	0.689	3.130	2.102	1.028	3.190	5.433	0.599
2.000	2.677	2.750	3.190	2.640	1.669	0.969	1.000	1.378	1.260	0.689	3.130	2.102	1.028	3.430	5.827	0.599
2.125	2.834	2.875	3.437	2.640	1.669	0.969	1.000	1.378	1.260	0.689	3.130	2.102	1.028	3.820	5.827	0.709
2.250	2.960	3.000	3.560	2.640	1.669	0.969	1.000	1.378	1.260	0.689	3.130	2.102	1.028	3.940	6.181	0.709
2.375	3.070	3.125	3.590	2.640	1.669	0.969	1.000	1.378	1.260	0.689	3.130	2.102	1.028	4.020	6.181	0.709
2.500	3.212	3.250	3.800	2.640	1.669	0.969	1.000	1.378	1.260	0.689	3.130	2.102	1.028	4.170	6.417	0.709
2.625	3.338	3.375	3.937	2.640	1.669	0.969	1.000	1.378	1.260	0.689	3.130	2.102	1.028	4.290	6.417	0.709
2.750	3.660	3.750	4.250	2.640	1.669	0.969	1.000	1.378	1.260	0.689	3.130	2.102	1.028	4.650	7.008	0.709
2.875	3.937	4.000	4.646	3.307	2.260	1.047	1.000	1.815	1.492	0.866	-	-	-	5.079	7.480	0.709
3.000	3.937	4.000	4.646	3.307	2.260	1.047	1.102	1.815	1.492	0.866	3.858	2.516	1.343	5.079	7.480	0.709
3.125	4.190	4.125	4.764	3.307	2.260	1.047	1.102	1.815	1.492	0.866	3.858	2.516	1.343	5.315	7.677	0.709
3.250	4.189	4.250	4.882	3.307	2.260	1.047	1.102	1.815	1.492	0.866	-	-	-	5.315	7.677	0.709
3.375	4.311	4.375	5.039	3.307	2.260	1.047	1.102	1.815	1.492	0.866	-	-	-	5.472	7.795	0.866
3.500	4.437	4.500	5.157	3.307	2.260	1.047	1.102	1.815	1.492	0.866	-	-	-	5.591	7.795	0.866
3.625	4.563	4.625	5.315	3.307	2.260	1.047	1.102	1.815	1.492	0.866	-	-	-	5.709	8.071	0.866
3.750	4.689	4.750	5.433	3.307	2.260	1.047	1.102	1.815	1.492	0.866	3.858	2.516	1.343	5.827	8.189	0.866
4.000	4.937	5.000	5.669	3.307	2.260	1.047	1.102	1.815	1.492	0.866	-	-	-	6.063	8.583	0.866

Dimensions in inch

RELY ON EXCELLENCE

Dimensions

d ₁	d ₂	d _{3min.}	d _{3max.}	l ₁	l ₂	l ₃	l ₄	l ₁₂	l ₁₃	l ₁₄	l ₁₅	l ₁₆	l ₁₇	a ₁	d _a	s
25	43.0	44.0	51.5	67	42.4	24.6	25.4	35.0	32.0	17.5	79.5	53.4	26.1	62	105	13.2
28	46.0	47.0	52.0	67	42.4	24.6	25.4	35.0	32.0	17.5	79.5	53.4	26.1	62	105	13.2
30	48.0	49.0	56.0	67	42.4	24.6	25.4	35.0	32.0	17.5	79.5	53.4	26.1	65	105	13.2
32	49.8	51.0	57.0	67	42.4	24.6	25.4	35.0	32.0	17.5	79.5	53.4	26.1	67	110	13.2
33	49.8	51.0	57.0	67	42.4	24.6	25.4	35.0	32.0	17.5	79.5	53.4	26.1	67	110	13.2
35	53.0	54.0	61.5	67	42.4	24.6	25.4	35.0	32.0	17.5	79.5	53.4	26.1	70	113	13.2
38	56.0	57.0	66.0	67	42.4	24.6	25.4	35.0	32.0	17.5	79.5	53.4	26.1	75	123	13.2
40	58.0	59.0	68.0	67	42.4	24.6	25.4	35.0	32.0	17.5	79.5	53.4	26.1	75	123	14.2
42	60.5	61.5	69.5	67	42.4	24.6	25.4	35.0	32.0	17.5	79.5	53.4	26.1	80	133	14.2
43	60.5	61.5	70.5	67	42.4	24.6	25.4	35.0	32.0	17.5	79.5	53.4	26.1	80	133	14.2
45	62.5	64.0	73.0	67	42.4	24.6	25.4	35.0	32.0	17.5	79.5	53.4	26.1	81	138	14.2
48	65.6	67.0	75.0	67	42.4	24.6	25.4	35.0	32.0	17.5	79.5	53.4	26.1	84	138	14.2
50	68.0	69.0	78.0	67	42.4	24.6	25.4	35.0	32.0	17.5	79.5	53.4	26.1	87	148	14.2
53	72.0	73.0	87.0	67	42.4	24.6	25.4	35.0	32.0	17.5	79.5	53.4	26.1	97	148	18.0
55	73.0	74.0	83.0	67	42.4	24.6	25.4	35.0	32.0	17.5	79.5	53.4	26.1	90	148	18.0
60	78.0	79.0	91.0	67	42.4	24.6	25.4	35.0	32.0	17.5	79.5	53.4	26.1	102	157	18.0
65	84.8	85.7	98.5	67	42.4	24.6	25.4	35.0	32.0	17.5	79.5	53.4	26.1	109	163	18.0
70	93.0	95.0	108.0	67	42.4	24.6	25.4	35.0	32.0	17.5	79.5	53.4	26.1	118	178	18.0
75	100.0	101.6	118.0	84	57.4	26.6	28.0	46.1	37.9	22.0	98.0	63.9	34.1	129	190	18.0
80	106.4	108.0	124.0	84	57.4	26.6	28.0	46.1	37.9	22.0	98.0	63.9	34.1	135	195	18.0
85	109.5	111.1	128.0	84	57.4	26.6	28.0	46.1	37.9	22.0	98.0	63.9	34.1	139	198	22.0
90	115.9	117.5	135.0	84	57.4	26.6	28.0	46.1	37.9	22.0	98.0	63.9	34.1	145	205	22.0
95	119.1	120.7	138.0	84	57.4	26.6	28.0	46.1	37.9	22.0	98.0	63.9	34.1	148	208	22.0
100	125.4	127.0	144.0	84	57.4	26.6	28.0	46.1	37.9	22.0	98.0	63.9	34.1	154	218	22.0

Dimensions in Millimeter