

RELY ON EXCELLENCE

AX5

Mechanical seals | Mechanical seals for pumps | Elastomer bellows seals



Features

- Unbalanced
- Independent on direction of rotation

Advantages

- Stationary springs
- Low space requirements
- Frictionally torque transmission
- Springs protected from the product
- Simple mounting

Operating range

Shaft diameter: $d_1 = \dots 65 \text{ mm (2.56")}$

Pressure: $p_1 = 0.3 \text{ bar (4.35 PSI)}$

Temperature:

$t = -20 \text{ °C } \dots 100 \text{ °C (-4 °F } \dots 212 \text{ °F)}$

Sliding velocity: $v_g = 10 \text{ m/s (33 ft/s)}$

Materials

Seal face: Carbon graphite resin impregnated (B)

Secondary seals: NBR (P)

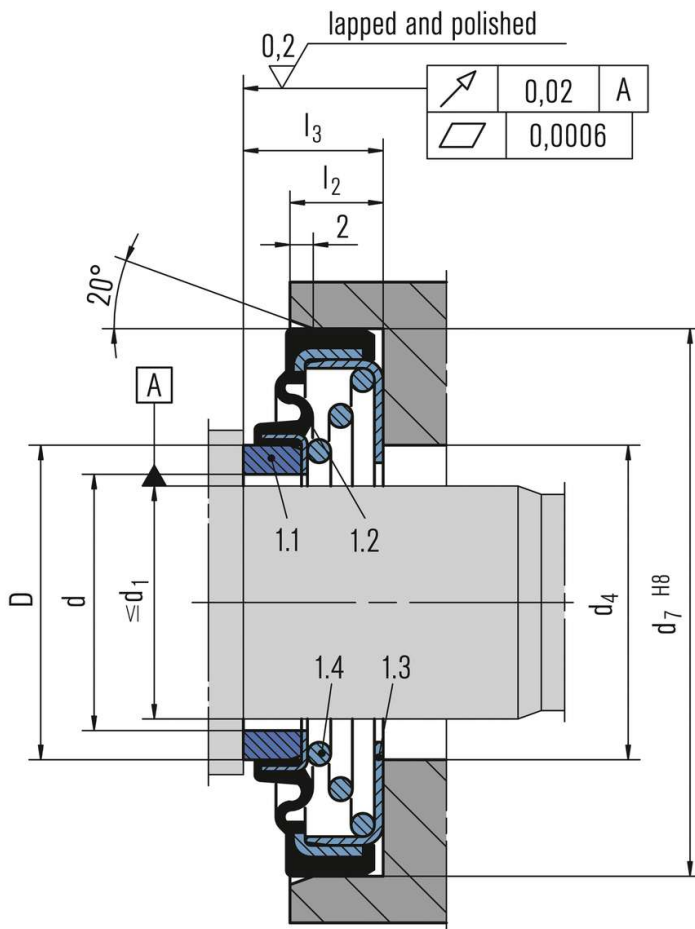
Springs: CrNi steel (F)

Metal parts: CrNi steel (F)

Recommended applications

- Process industry
- Oil and gas industry
- Refining technology
- Petrochemical industry
- Chemical industry
- Pharmaceutical industry
- Power plant technology
- Pulp and paper industry
- Water and waste water technology
- Mining industry
- Building services industry
- Food and beverage industry
- Shipbuilding
- Sugar industry
- Metal production and processing

RELY ON EXCELLENCE

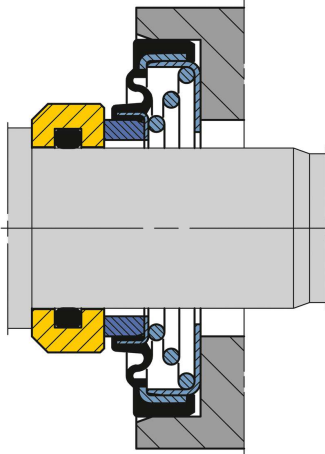


Item Description

- 1 Seal unit
- 1.1 Seal ring
- 1.2 Bellows
- 1.3 Profiled sheet
- 1.4 Spring

RELY ON EXCELLENCE

Installation, details, options



Mating ring variant with O-Ring.

Dimensions

| d1 | Type | d | D | L3 | d7 | d4 | L2 |
|----|----------|----|------|----|-----|----|----|
| 20 | AX05-022 | 22 | 27 | 18 | 42 | 28 | 12 |
| 25 | AX05-027 | 27 | 32 | 12 | 52 | 32 | 8 |
| 30 | AX05-032 | 32 | 37 | 12 | 57 | 37 | 8 |
| 35 | AX05-037 | 37 | 42 | 12 | 62 | 42 | 8 |
| 40 | AX05-042 | 42 | 47.5 | 12 | 68 | 47 | 10 |
| 45 | AX05-047 | 47 | 53 | 13 | 75 | 52 | 10 |
| 50 | AX05-052 | 52 | 58 | 13 | 80 | 57 | 10 |
| 55 | AX05-057 | 57 | 65 | 14 | 90 | 62 | 12 |
| 65 | AX05-067 | 67 | 75 | 16 | 100 | 72 | 10 |

Dimensions in millimeter