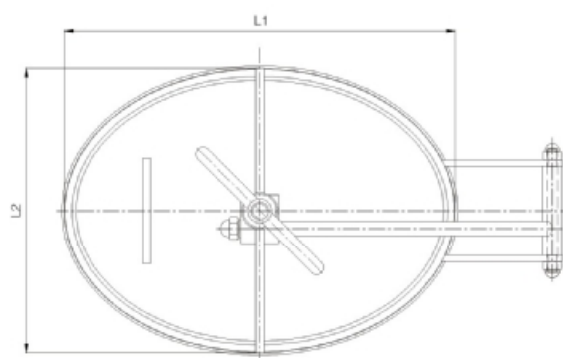
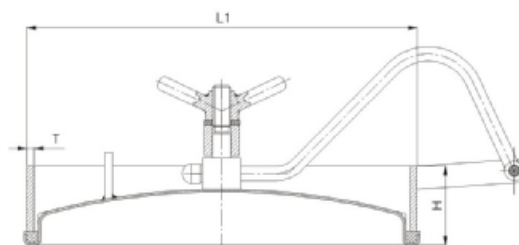


椭圆型人孔

Elliptical man hole cover(oval man way)

应用 Applications

- ◆该人孔主要应用在食品、酿酒、饮料、制药等工业领域罐设备上。
- ◆The manhole cover is mainly used for tanks in the fields of food, beverage, chemical, etc.



NO.ERK311

设计和特点 Design and features

- ◆内开式人孔盖子
- ◆扳手式手柄，手轮式手柄
- ◆内表面：Ra0.8 μm -0.5 μm
- ◆外表面：抛光处理、亚光处理、喷砂处理
- ◆最大压力：0.5-3.0bar
- ◆垫圈：EPDM、NBR、SLICON、EPM符合FDA117.2600
- ◆高度：75、100、120、150mm
- ◆材质：AISI304(1.4301)/316L(1.4404)

- ◆Inward opening man hole cover
- ◆Spanner type handle, wheel handle
- ◆Internal surface: Ra0.8 μm -0.5 μm
- ◆Outside surface: Polishing finished, matt finished and sand-blasting finished
- ◆Max. Pressure: 0.5-3.0bar
- ◆Gasket: EPDM, NBR, SILICON, FPM in accordance with FDA177.2600
- ◆Height: 75, 100, 120, 150mm
- ◆Material: AISI304(1.4301)/316L(1.4404)

椭圆型人孔 Elliptical man hole cover

SIZE	H	L1	L2	T
435 × 335	75	435	335	8
530 × 430	100	530	430	10
635 × 525	160	635	344	10

高度(H)可根据客户要求；壁厚可根据客户要求；
Height (H) and the thickness can be as per customers request.

