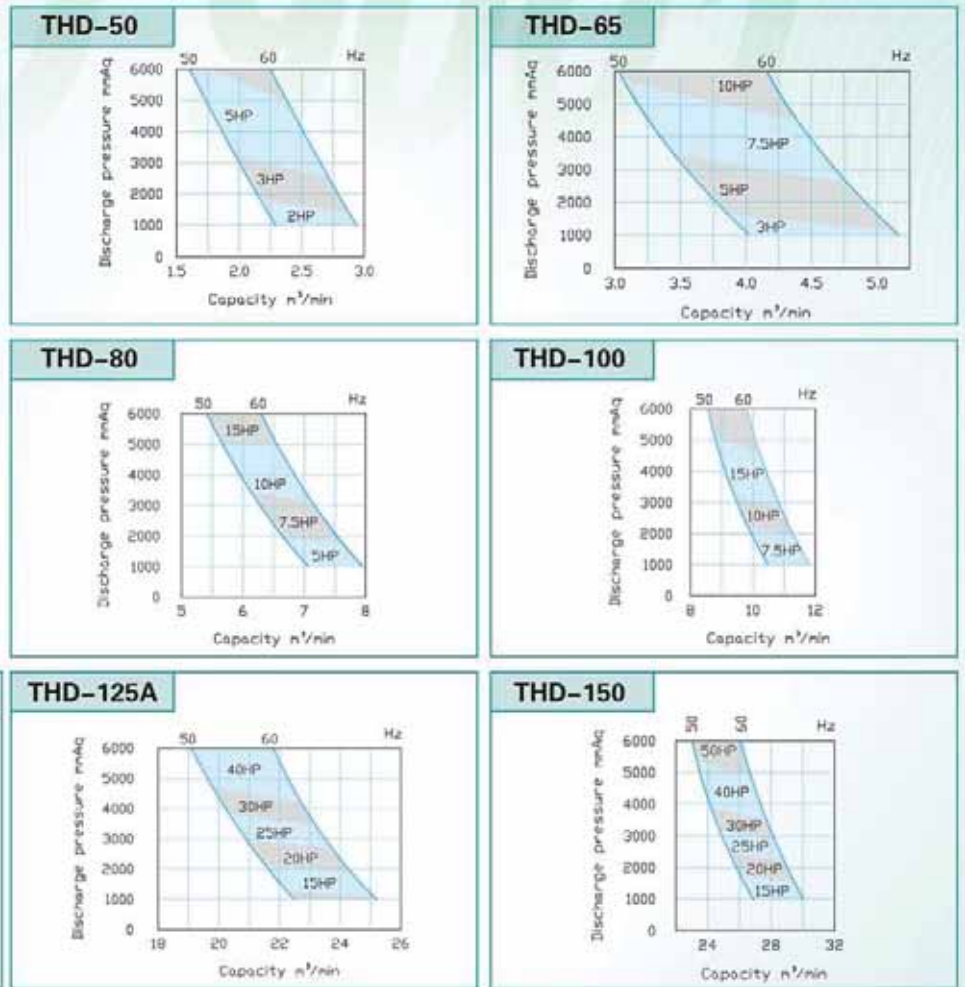


THD Type Direct Roots Blower

THD Type Direct Roots Blower



THD Type



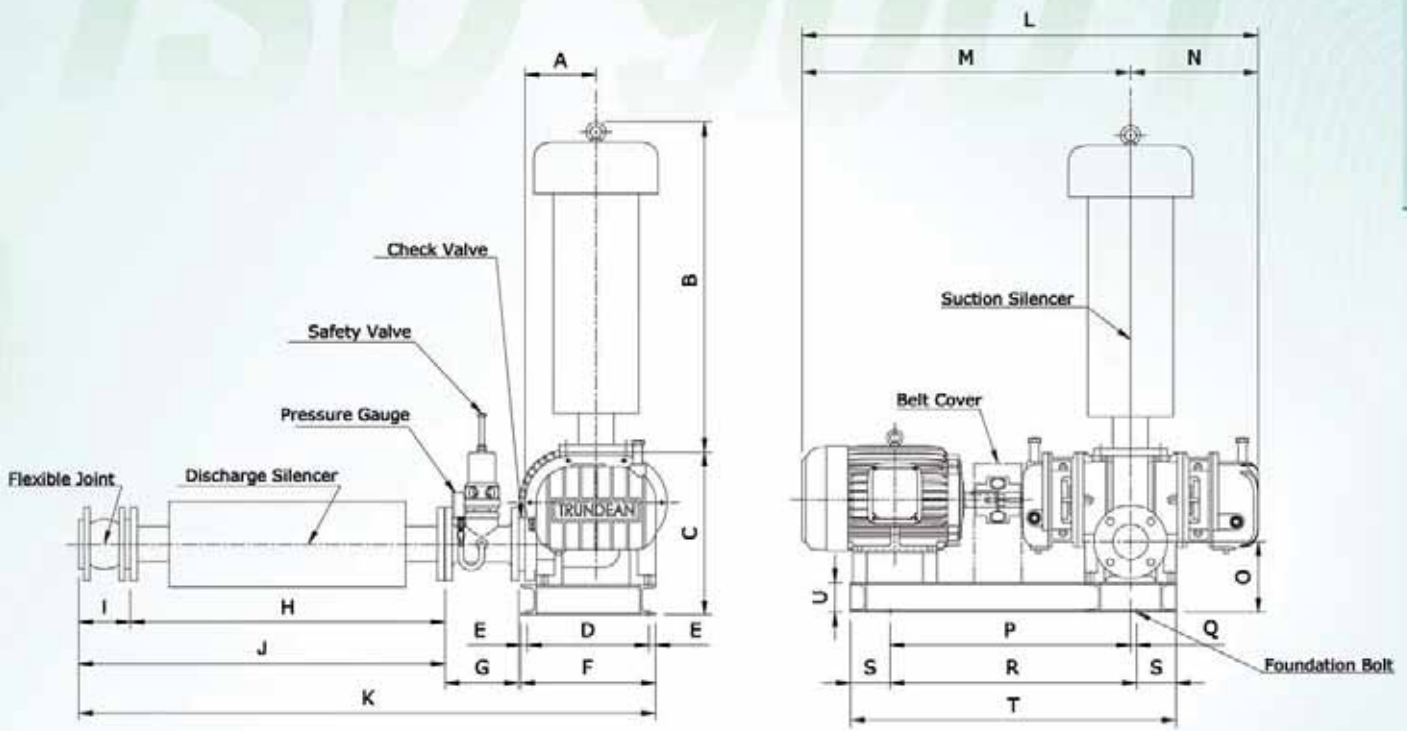
Performance Curve

Specification

Model	Frequency	1000 mmAq		2000 mmAq		3000 mmAq		4000 mmAq		5000 mmAq		6000 mmAq	
	Hz	m ³ /min	kW	m ³ /min	kW	m ³ /min	kW	m ³ /min	kW	m ³ /min	kW	m ³ /min	kW
THD-50	50	2.29	1.05	2.14	1.56	2.00	2.10	1.86	2.62	1.74	3.11	1.61	3.53
	60	2.94	1.27	2.78	1.88	2.65	2.54	2.51	3.17	2.38	3.75	2.25	4.27
THD-65	50	4.03	1.7	3.76	2.5	3.55	3.3	3.34	4.2	3.23	5.0	3.03	5.8
	60	5.17	2.1	4.89	3.1	4.68	4.1	4.47	5.1	4.26	6.1	4.16	7.1
THD-80	50	7.07	2.2	6.65	3.6	6.28	5.0	5.96	6.3	5.66	7.6	5.41	9.0
	60	7.96	2.5	7.54	4.0	7.17	5.5	6.85	6.9	6.55	8.4	6.30	9.9
THD-100	50	10.50	3.4	9.96	5.2	9.51	7.0	9.14	9.0	8.82	10.8	8.57	12.70
	60	11.8	3.7	11.2	5.7	10.8	7.8	10.4	9.9	10.1	12.0	9.82	14.1
THD-125	50	17.7	5.0	16.9	8.5	16.2	11.8	15.6	15.2	15.2	18.7	14.7	22.1
	60	19.8	5.5	19.0	9.3	18.3	13.0	17.7	16.8	17.3	20.6	16.8	24.4
THD-125A	50	22.5	6.3	21.6	10.6	20.9	14.8	20.2	19.4	19.6	23.4	19.1	27.7
	60	25.2	7.0	24.2	11.7	23.5	16.4	22.8	21.4	22.3	25.9	21.8	30.6
THD-150	50	26.9	7.4	25.8	12.5	24.9	17.6	24.2	22.7	23.6	27.9	23.0	33.0
	60	30.0	8.1	28.9	13.8	28.1	19.4	27.4	25.1	26.7	30.7	26.1	36.4

THD Type Dimension Drawing

THD Type Direct Roots Blower



Model	A	B	C	D	E	F	G	H	I	J	K	L	M	N	O	P	Q	R	S	T	U
THD-50	150	740	260	330	20	370	160	790	105	890	1400	950	690	260	170	590	30	620	50	720	75
THD-65	150	780	260	240	20	280	160	790	115	910	1400	1090	780	310	170	620	80	700	50	800	75
THD-80	180	830	410	305	20	340	185	790	130	920	1455	1150	830	320	180	605	15	620	100	820	75
THD-100	180	840	350	315	20	400	185	800	135	930	1500	1370	1000	370	190	760	60	820	100	1020	75
THD-125	235	1490	430	420	20	460	200	1420	170	1590	2280	1470	1080	390	230	855	45	900	100	1100	100
THD-125A	235	1490	530	420	20	460	200	1420	170	1590	2280	1550	1120	430	230	885	85	970	100	1170	100
THD-150	235	1490	540	420	20	460	200	1430	180	1610	2300	1700	1210	490	245	960	140	1100	100	1300	100