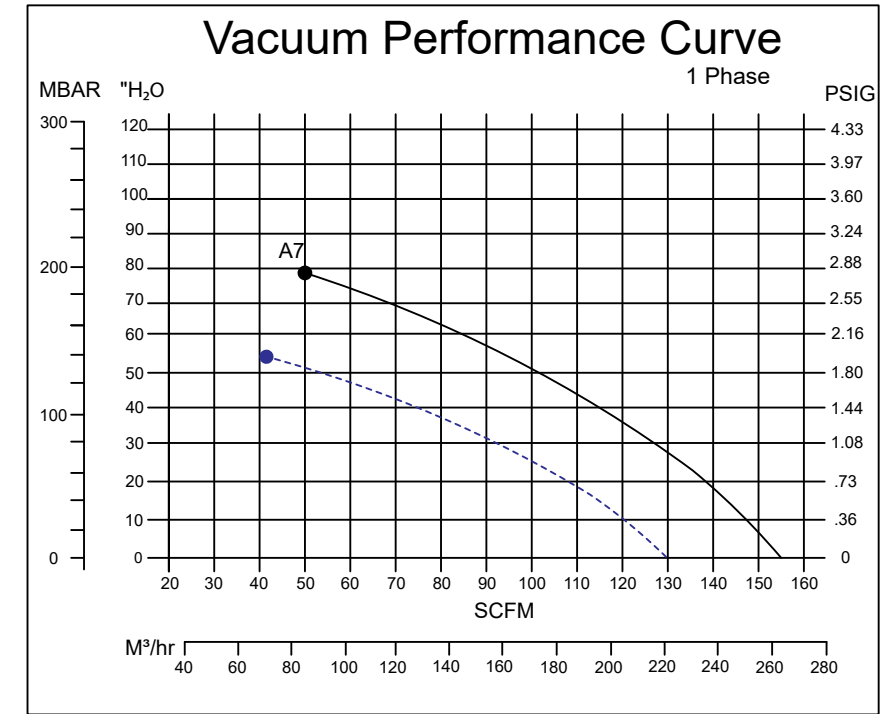
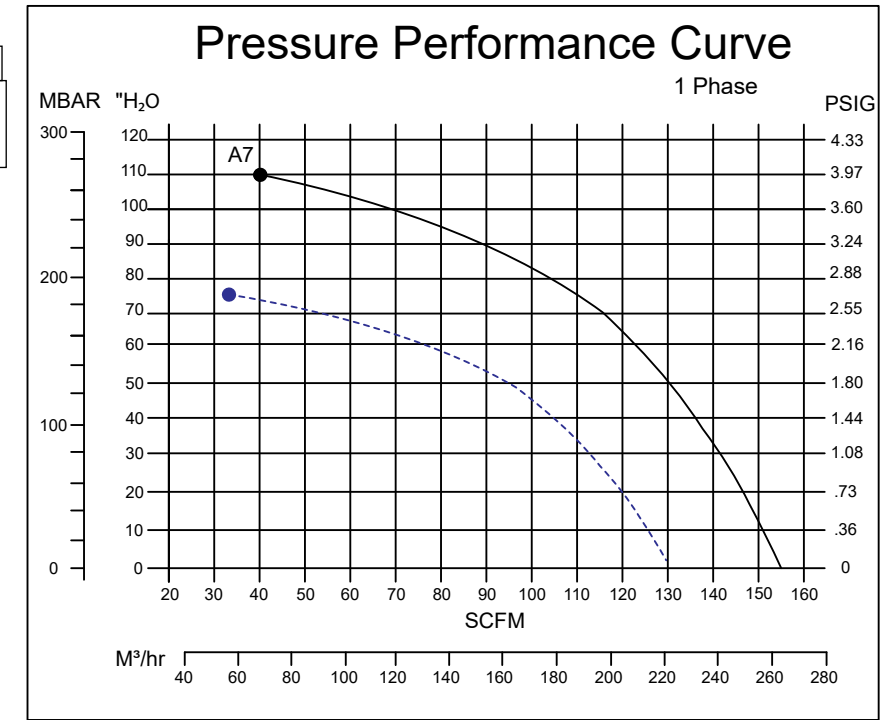
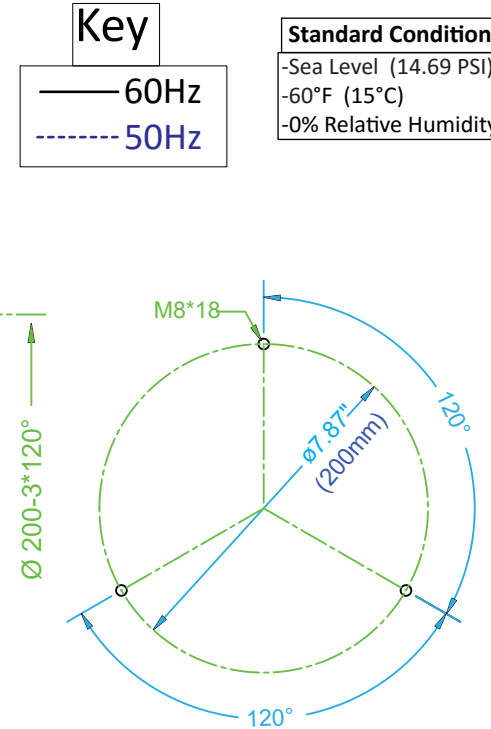
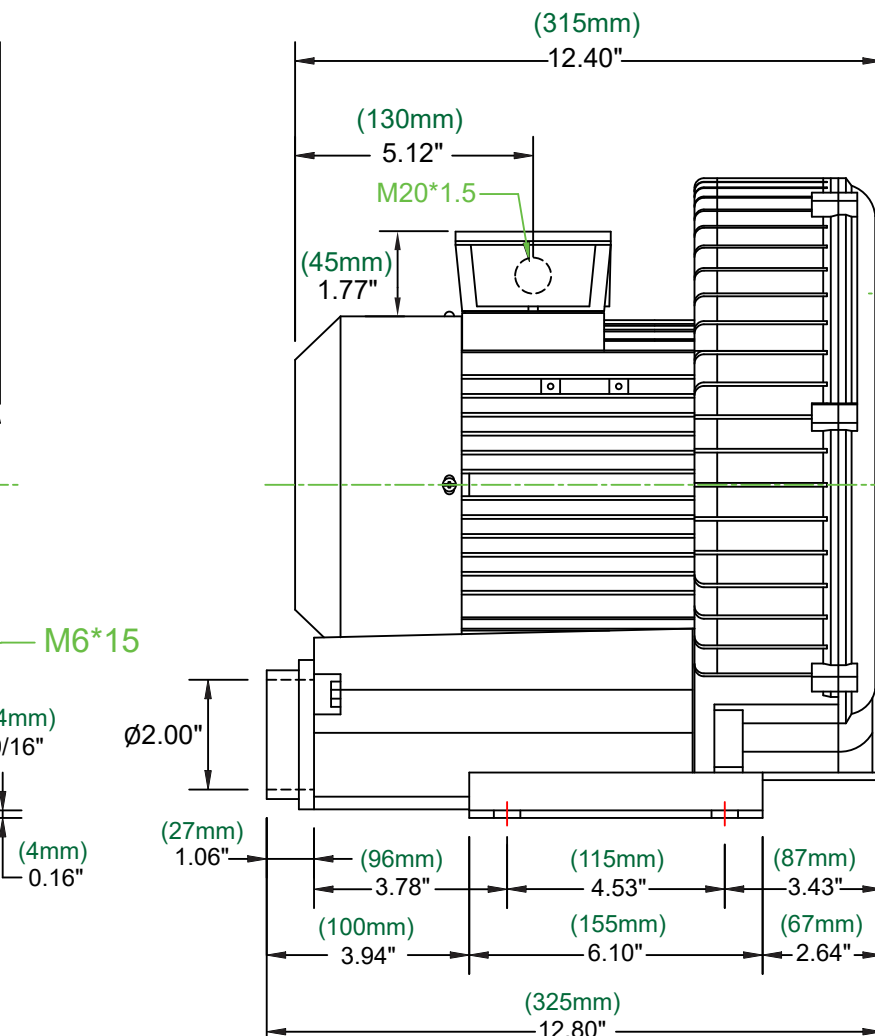
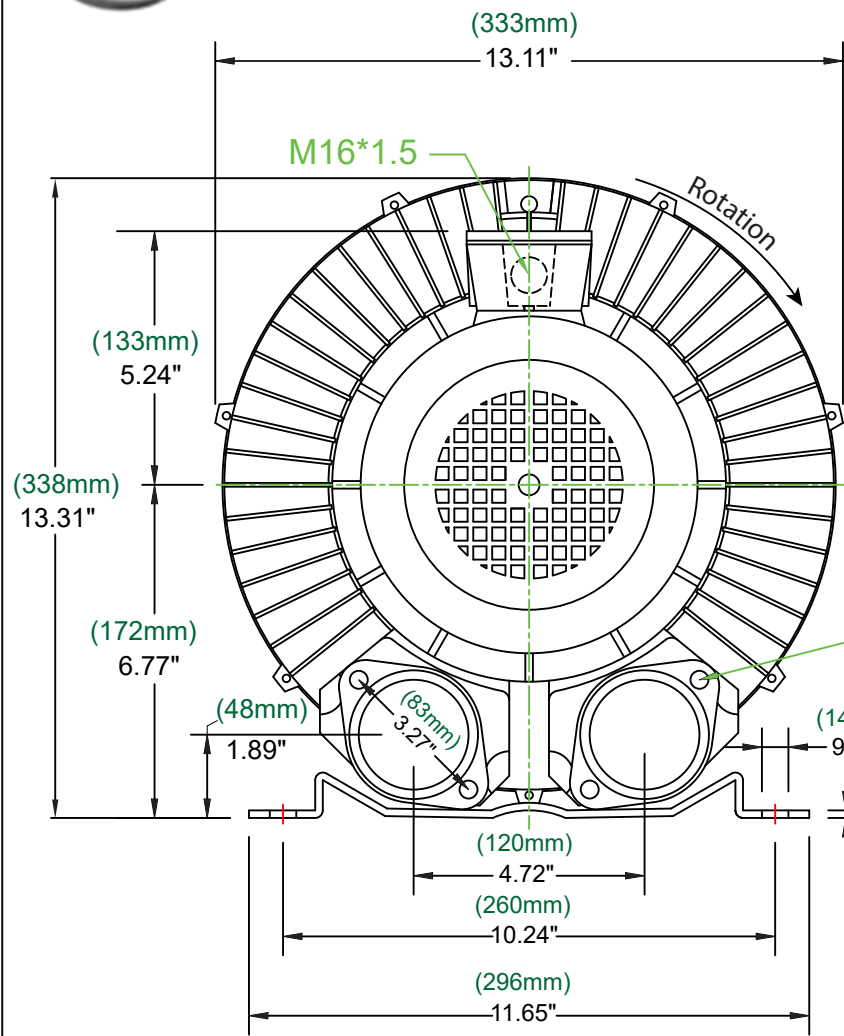




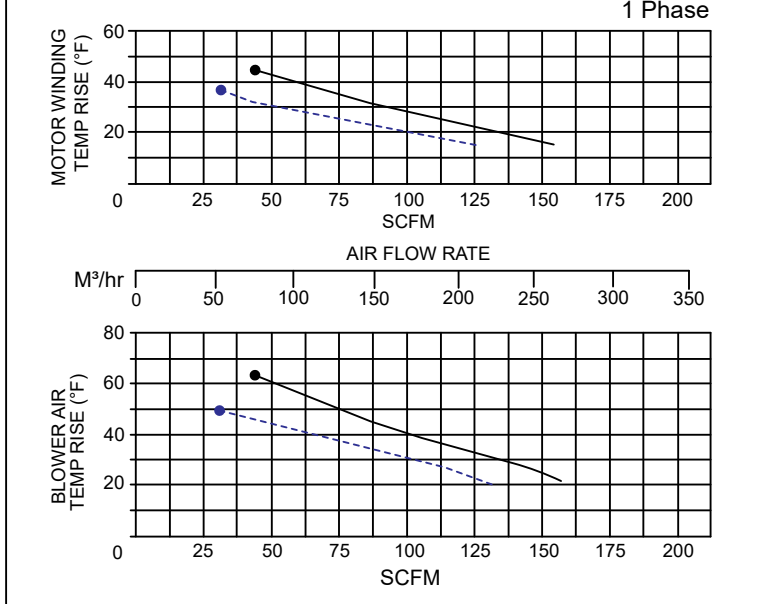
Phase	Model Number	Curve Number	Frequency (Hz)	KW	HP	Max Flow (SCFM)	Max Pressure ("H <sub>2</sub> O)	Maximum Vacuum	Sound Level (db)	Inlet Diameter	Voltage	Current (A)	Weight (lbs)
1	AB-401	A7	60Hz	2.20	3.00	155	110	79	75	2.00"	110-120/220-240	30.0Δ/15.0Y	58
			50Hz	1.82	2.50	130	76	55	70		100-120/200-240	24.9Δ/12.5Y	

\*\*Sound db measured at 3 ft.

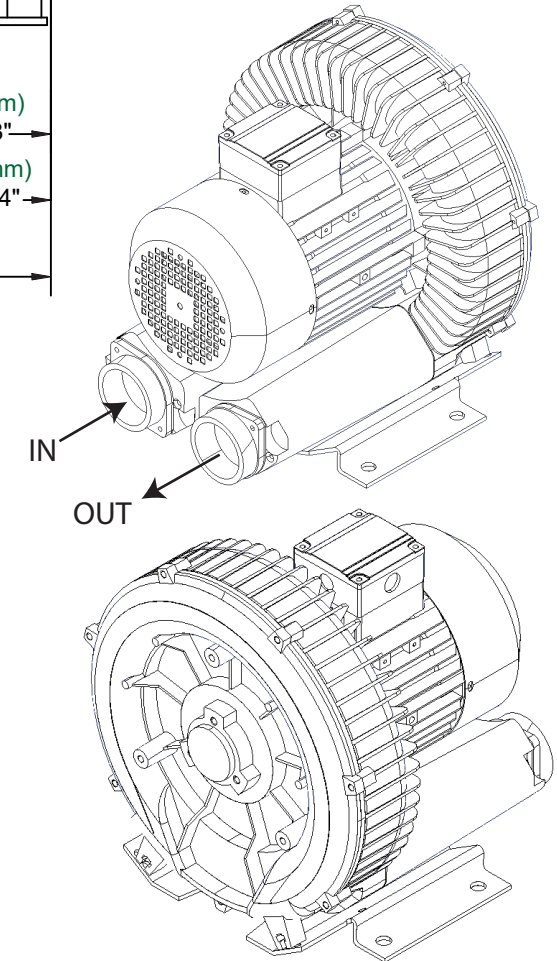
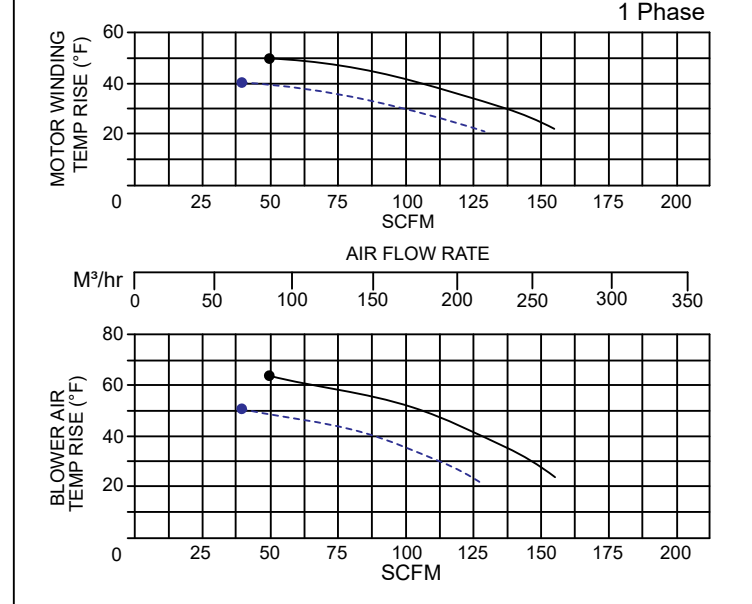
### MODEL NO. : AB-401 SINGLE STAGE



### Pressure - Temperature Rise Curve



### Vacuum - Temperature Rise Curve



### Disclaimer

Ownership of this document and all accompanying information and data including but not limited to all applicable copyrights, trade secrets, patents and other intellectual property remain the property of Atlantic Blowers and are not to be copied, duplicated or reproduced, nor transmitted or disclosed to a third party without express written permission from Atlantic Blowers. Atlantic Blowers makes no representation or warranties, express or implied, with respect to the reuse of the data provided herewith, regardless of its format or the means of its transmission. The user accepts the data "as is", and assumes all risks associated with its use.