

隔膜罐底阀 Diaphragm tank bottom valve



隔膜罐底阀

- ◆ SIZE: 1"-4", DN25-DN100
- ◆ 手动气动均可配置
- ◆ 出口连接方式: 卡箍、焊接、特殊接口

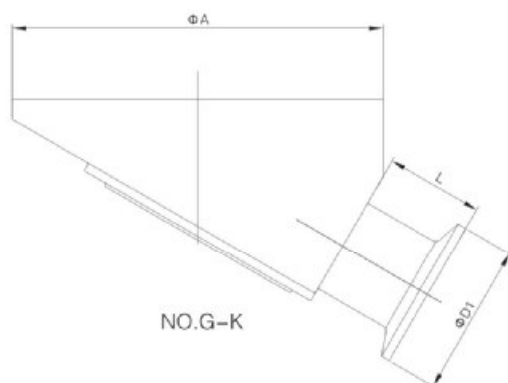
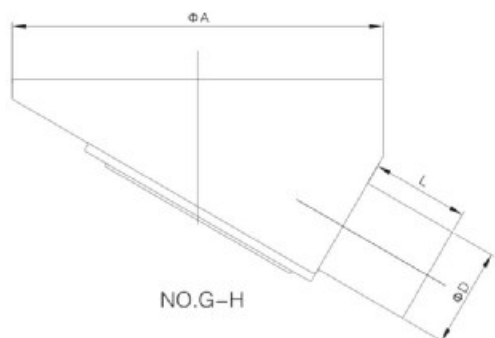
Diaphragm tank bottom valve

- ◆ SIZE: 1" - 4", DN25-DN100
- ◆ Manual pneumatic all can be configured
- ◆ Export connection mode: clamp, welding, special interface

隔膜阀尺寸图

Dimension of diaphragm valve

罐底阀体 Tank bottom casting body

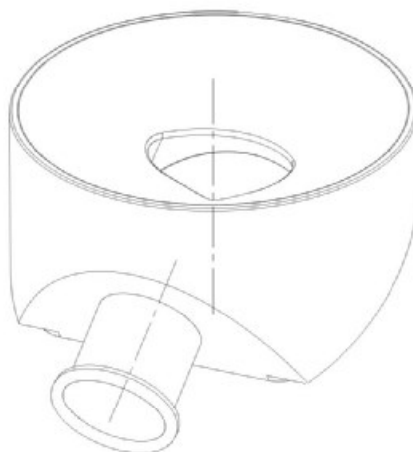
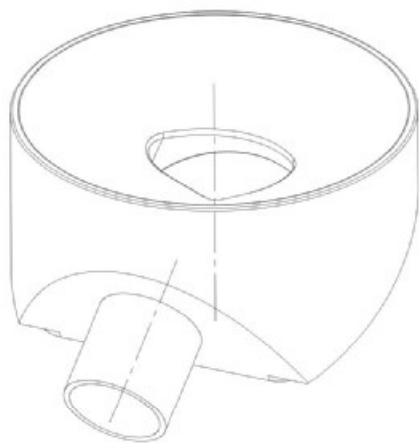


DIN32676/DIN1850-1/2

SIZE	D	D1	L	A
DN15	18/19	34	25	95
DN20	22/23	34	25	95
DN25	28	50.5	25	95
DN32	34	50.5	25	126
DN40	40	50.5	30	134
DN50	52	64	30	161
DN65	70	91	30	250
DN80	85	106	30	250
DN100	104	119	30	320

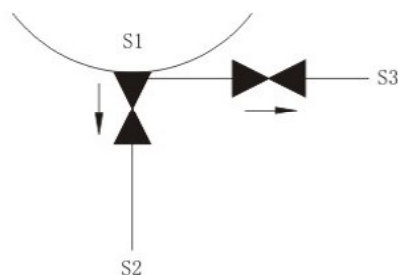
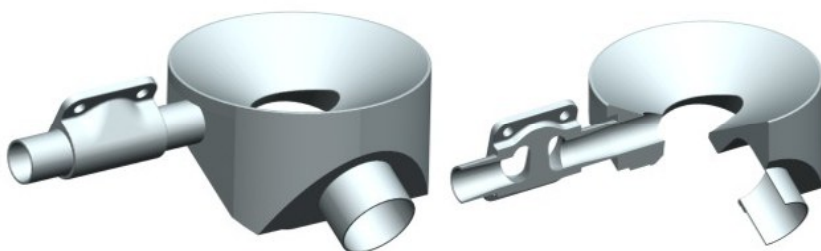
ASME BPE/ASTM 269

SIZE	D	D1	L	A
3/4"	19	25.4	25	95
1"	25.4	50.5	25	95
1.25"	31.8	50.5	25	126
1.5"	38	50.5	30	134
2"	50.8	64	30	161
2.5"	63.5	77.5	30	250
3"	76.2	91	30	250
4"	101.6	119	30	320



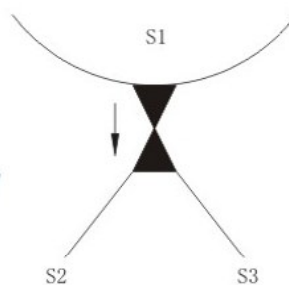
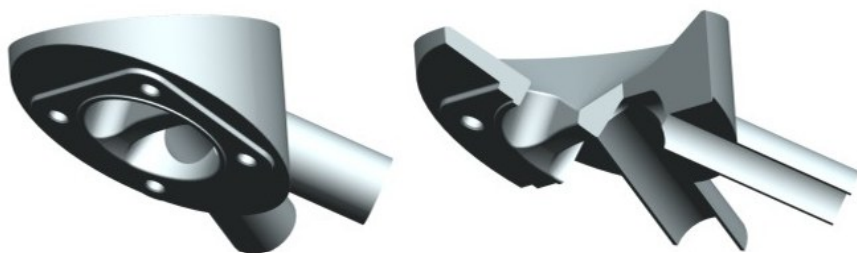
多通道罐底隔膜阀 Multipass tank bottom diaphragm valve

MG-32A



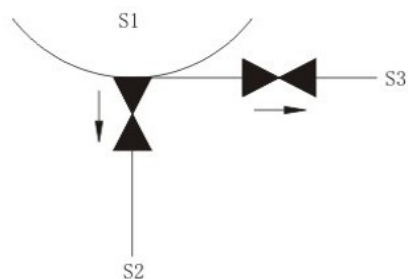
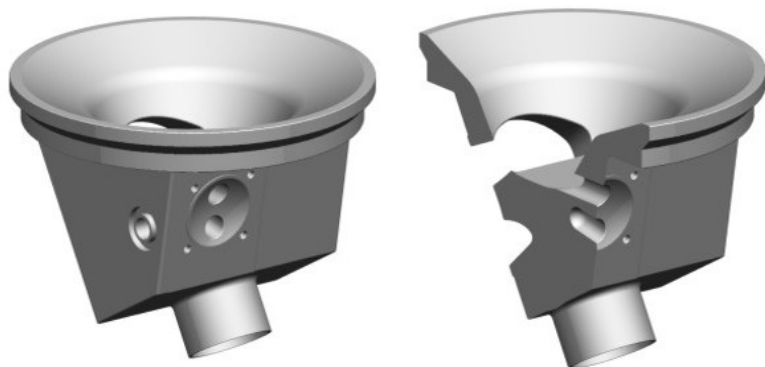
3个通道, 2个控制阀
Three ports, two control valve

MG-31A



3个通道, 1个控制阀
Three ports, one control valve

M-32B



3个通道, 2个控制阀
Three ports, two control valve