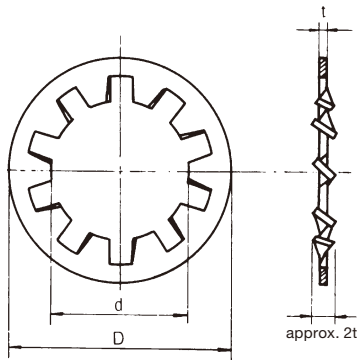
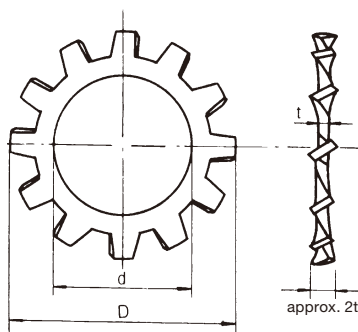


Unit: mm

Internal



External

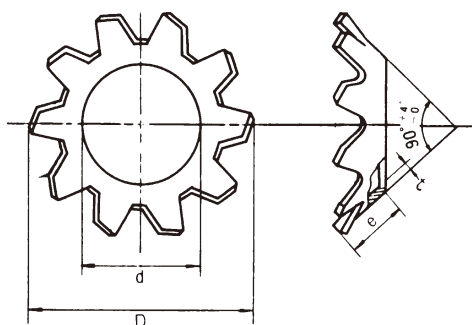


Dimensions Codes		Nominals		d		D		t		Number of Teeth	
Internal	External	Metric	Whitworth	Basic Size	Tolerance	Basic Size	Tolerance	Basic Size	Tolerance	Internal	External
25020		2	—	2.2	+0.2 0	4.8	0 -0.3	0.3	±0.025	7	
25023		2.3	—	2.5		5.3		0.3		7	
25026	26026	2.6	—	2.8		5.8	0.3	7	8		
25030	26030	3	—	3.2		6.5	0 -0.4	0.45	±0.035	7	8
25035	26035	3.5	—	3.7		7.5		0.45		8	8
25040	26040	4	—	4.3		8.5		0.45		8	9
25045	26045	4.5	—	4.8		9.5	0.5	8	9		
25050	26050	5	—	5.3		10	0.6	8	10		
25060	26060	6	—	6.4		11	0.6	9	10		
		7	—	7.4		13	0.8	9	12		
25080	26080	8	—	8.4	+0.3 0	15	0 -0.5	0.8	±0.05	9	12
25095	26095	—	3/8	9.8	17.5	0.9		9		12	
25100	26100	10	—	10.5	18	0.9	9	12			
25110		—	7/16	11.4	19.5	0.9	10	12			
25120	26120	12	—	12.5	+0.4 0	21	0 -0.6	1	±0.055	10	12
25127	26127	—	1/2	13	22.5	1		10		12	
25140	26140	14	—	14.5	23	1		10		12	
25160	26160	16	5/8	16.5	26	1.2	12	14			
25180		18	—	19	29	1.2	12	14			
25190		—	3/4	19.6	32	1.2	12	14			
25200		20	—	21	+0.5 0	32	0 -0.8	1.4	±0.07	12	14
25220		22	7/8	23	35	1.4		14		16	
25240		24	—	25	38	1.6		14		16	
25254		—	1	26	41	1.6		14		16	

Remarks: 1. Number of teeth indicates basic numbers.
2. Nominals 2.3 or below are not available in external type.

Unit: mm

Countersunk



Dimensions Codes	Nominals	d		Approx.	Max.	t		Number of Teeth
		Basic Size	Tolerance			Basic Size	Tolerance	
27030	3	3.2	+0.2 0	6	1.8	0.4	±0.03	8
27035	3.5	3.7		7	2.1	0.4		8
27040	4	4.3		8	2.5	0.4		8
27045	4.5	4.8		9	2.7	0.5	±0.035	9
27050	5	5.3		10	3.1	0.5		9
27060	6	6.4	+0.3 0	12	3.8	0.5	±0.04	10
27080	8	8.4	16	5.1	0.6	12		

Remarks: Number of teeth indicates basic numbers.

Notes: SUS304-CSP only.

Product code	125...Internal	Material code	02...SUS304-CSP		Part Number Structure (Standardized Product Code)			
	126...External		70...Spring Steel					
Surface code	01...Burnished (SUS304-CSP)	Hardness	HRC37 - 46 (SUS304-CSP)					
	30... (trivalent chromate) (Spring Steel)		HRC40 - 50 (Spring Steel)					