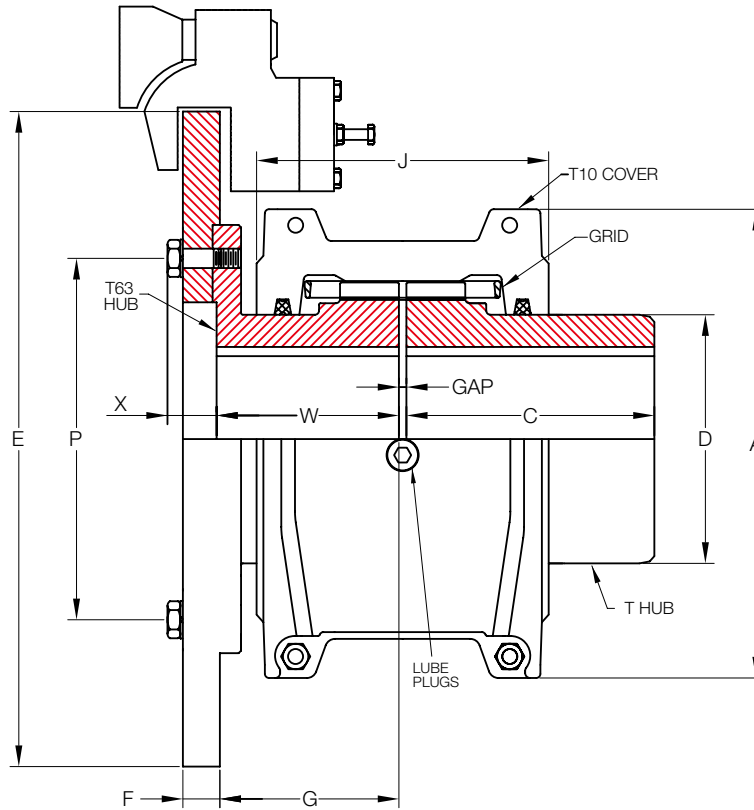


## T63 Type

### Disc Brake



Size	Brake Rating (Nm)	Allow Speed RPM	Max Bore (mm)	Min Bore (mm)	Cplg Weight (Kg)	Lube Weight (Kg)	Dimensions (Millimeters)									Disc Brake Dia x Thickness (E x F)
							A	C	D	G	J	P	W	X	GAP	
1020	11	4,500	28	13	2.55	0.0272	97.0	47.6	39.7	59.9	67.8	71.4	60.5	11.7	3	203 x 6.4
1030	35	4,500	35	13	3.31	0.0408	105.7	47.6	49.2	59.9	71.9	79.4	60.5	11.7	3	254 x 6.4
1040	65	4,500	43	13	4.26	0.0544	114.3	50.8	57.2	59.9	72.0	98.4	60.5	11.7	3	254 x 6.4
1050	118	4,150	50	13	6.35	0.0680	135.1	60.3	66.7	59.9	81.6	108.0	60.5	13.2	3	254 x 6.4
1060	209	3,800	56	20	9.57	0.0862	147.8	63.5	76.2	88.6	97.9	125.4	88.1	15.2	3	305 x 6.4
1070	331	3,250	67	20	12.30	0.1130	158.8	76.2	87.3	88.6	99.2	133.4	88.1	15.2	3	305 x 6.4
1080	637	2,850	80	27	19.80	0.1720	190.5	88.9	104.8	88.6	118.4	152.4	88.1	18.0	3	305 x 6.4
1090	1,084	2,700	95	27	28.40	0.2540	211.1	98.4	123.8	87.9	127.4	179.4	88.1	26.9	3	407 x 12.7
1100	1,897	2,400	110	42	47.70	0.4260	251.0	120.6	142.1	119.1	156.6	215.9	119.1	29.5	5	407 x 12.7
1110	2,846	2,250	120	42	64.90	0.5080	269.7	127.0	160.3	146.0	162.6	241.3	146.0	29.5	5	458 x 12.7
1120	4,336	2,025	140	61	92.10	0.7350	307.8	149.2	179.4	150.1	191.7	276.2	149.4	33.0	6	509 x 12.7
1130	6,098	1,800	170	67	132.0	0.9070	345.9	161.9	217.5	153.4	195.5	295.3	152.4	35.6	6	509 x 12.7
1140	8,808	1,650	200	67	185.0	1.1300	384.0	184.2	254.0	159.8	201.7	330.2	158.8	38.1	6	610 x 12.7
1150	12,195	1,500	215	108	253.0	1.9500	453.1	182.9	269.2	179.8	271.5	368.3	182.9	31.5	6	763 x 12.7
1160	16,938	1,350	240	121	336.0	2.8100	501.9	198.1	304.8	195.1	278.4	400.0	198.1	31.5	6	915 x 12.7

\* Coupling Weight is without Disc and Bore Machining