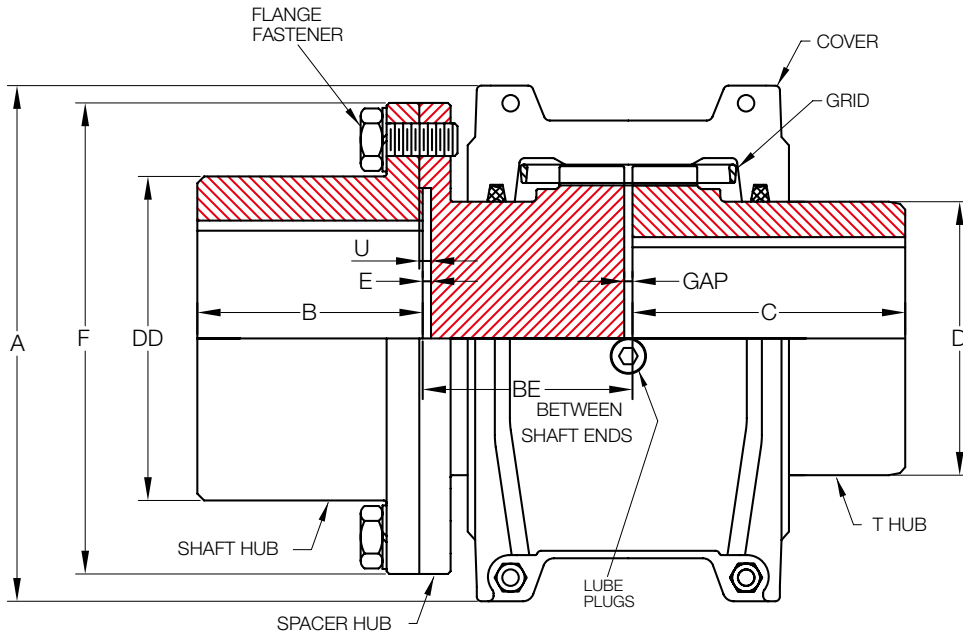


T35 Type

Half Spacer Horizontal Split Aluminium Cover



Size	Torque Rating (Nm)	Allow Speed RPM	Max Bore				Min Bore (mm)	Cplg Weight (Kg)	Add BE Weight (Kg)	Lube Weight (Kg)	Dimensions (Millimeters)										Flange Fasteners		
			Shaft Hub		T Hub						A	B	BE		C	D	DD	E	F	U	GAP	No. per Flange	Dia (mm)
			Max	Min	Max	Min							Min	Max									
1020	52	4,500	35	-	28	-	13	2.89	0.010	0.0272	97.0	34.9	45.2	102	47.6	39.7	52.4	0.8	85.7	1.8	3	4	6.3
1030	149	4,500	43	-	35	-	13	3.89	0.016	0.0408	105.7	41.3	45.2	109	47.6	49.2	59.5	0.8	93.7	1.8	3	8	6.3
1040	249	4,500	56	-	43	-	13	5.88	0.021	0.0544	114.3	54.0	45.2	109	50.8	57.2	78.6	0.8	112.7	1.8	3	8	6.3
1050	435	4,500	67	-	50	-	13	9.12	0.028	0.0680	135.1	60.3	56.3	109	60.3	66.7	87.3	0.8	125.4	1.8	3	8	7.9
1060	684	4,350	80	-	56	-	20	13.90	0.037	0.0862	147.8	73.0	61.9	166	63.5	76.2	103.2	1.8	144.5	2.8	3	8	9.5
1070	994	4,125	85	-	67	-	20	17.60	0.048	0.1130	158.8	79.4	64.3	166	76.2	87.3	109.5	1.8	152.4	2.8	3	12	9.5
1080	2,050	3,600	95	-	80	-	27	28.90	0.069	0.1720	190.5	88.9	78.6	204	88.9	104.8	122.2	1.8	177.8	2.8	3	12	12.7
1090	3,730	3,600	110	-	95	-	27	42.80	0.100	0.2540	211.1	101.6	82.6	204	98.4	123.8	142.9	1.8	209.6	2.8	3	12	15.8
1100	6,280	2,440	130	-	110	-	42	66.10	0.120	0.4260	251.0	90.4	103.2	205	120.6	142.1	171.4	1.6	250.8	3.2	5	12	19.0
1110	9,320	2,250	150	-	120	-	42	84.60	0.160	0.5080	269.7	104.1	106.4	205	127.0	160.3	196.8	1.6	276.2	3.2	5	12	19.0
1120	13,700	2,025	170	-	140	-	61	129.00	0.200	0.7350	307.8	119.4	124.6	205	149.2	179.4	225.4	1.6	319.1	4.0	6	12	22.2
1130	19,900	1,800	190	-	170	-	67	179.00	0.290	0.9070	345.9	134.6	130.1	205	161.9	217.5	238.1	1.6	346.1	4.0	6	12	25.4
1140	28,600	1,650	210	-	200	-	67	252.00	0.400	1.1300	384.0	152.4	134.9	205	184.2	254.0	266.7	1.6	385.8	4.0	6	12	28.5
1150	39,800	1,500	270	102	215	108	-	348.00	0.190	1.9500	453.1	172.7	174.5	187.5	182.9	269.2	334.3	5.1	425.4	-	6	14	22.2
1160	55,900	1,350	290	115	240	121	-	441.00	0.250	2.8100	501.4	186.4	179.6	204.7	198.1	304.8	366.0	6.6	457.2	-	6	14	22.2
1170	74,600	1,225	340	127	280	134	-	652.00	0.380	3.4900	566.4	220.2	194.1	223.8	215.9	355.6	424.9	8.4	527.0	-	6	16	25.4
1180	103,000	1,100	340	102	300	153	-	877.00	0.470	3.7600	629.9	248.9	201.7	246.9	238.8	393.7	450.8	5.1	590.6	8.1	6	16	28.5
1190	137,000	1,050	380	115	355	153	-	1,150.00	0.600	4.4000	675.6	275.8	207.3	266.7	259.1	436.9	508.0	5.1	660.4	8.1	6	18	31.7
1200	186,000	900	400	127	360	178	-	1,484.00	0.850	5.6200	756.9	305.3	223.8	289.1	279.4	497.8	530.4	6.1	711.2	9.1	6	18	31.7

* Min BE Weight is Added Weight per Millimeters of BE over Minimum
 * Coupling Weight is with no Bore and Minimum BE