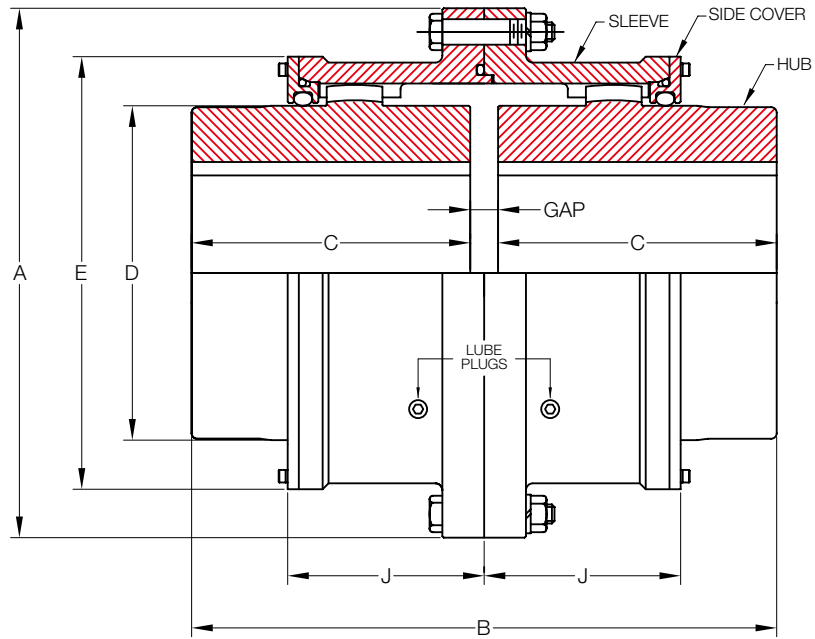


KCC Type (Large)

Large Flanged Sleeve Double Engagement



Size	Torque Rating (Nm)	Allow Speed RPM	Max Bore (mm)	Min Bore (mm)	Cplg Weight (Kg)	Lube Weight (Kg)	Dimensions (Millimeters)						KCH Torque (Nm)	
							A	B	C	D	E	J		GAP
450	93,100	1,690	205	140	298	2.11	450	418	200	290	372	151	18	135,240
500	127,400	1,520	236	170	446	3.23	500	494	236	335	425	168	22	225,400
560	203,840	1,360	275	190	642	3.91	560	552	265	385	475	187	22	337,120
630	308,700	1,210	325	224	1,010	5.70	630	658	315	455	548	213	28	458,640
710	449,820	1,070	360	250	1,440	7.99	710	738	355	510	622	242	28	634,060
800	642,880	950	405	280	2,030	11.01	800	832	400	570	690	267	32	862,400
900	915,320	840	475	315	3,030	14.40	900	932	450	670	792	295	32	1,215,200
1000	1,254,400	760	510	355	4,120	19.50	1,000	1,040	500	720	858	322	40	1,646,400
1120	1,764,000	682	600	400	5,920	26.30	1,120	1,160	560	840	990	360	40	2,254,000
1250	2,450,000	610	710	500	9,410	38.20	1,250	1,460	710	960	1,126	399	40	3,067,400

* Coupling Weight is without Bore Machining