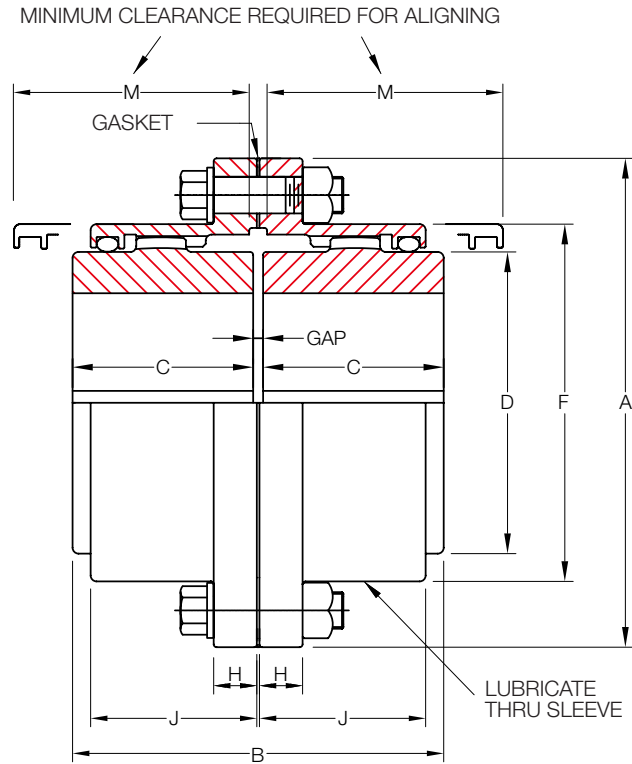


G20 Type

Standard Flanged Sleeve Double Engagement



Size	Torque Rating (Nm)	Allow Speed RPM	Max Bore (mm)	Min Bore (mm)	Cplg Weight G20 (Kg)	Lube Weight (Kg)	Dimensions (Millimeters)								
							A	B	C	D	F	H	J	M	GAP
1010	1,140	8,000	50	13	4.54	0.0408	115.9	88.9	42.9	68.6	83.8	14.0	38.9	51	3
1015	2,350	6,500	65	20	9.07	0.0726	152.4	101.6	49.3	86.4	105.2	19.0	47.8	61	3
1020	4,270	5,600	78	26	15.90	0.1130	177.8	127.0	62.0	105.2	126.5	19.0	59.4	77	3
1025	7,470	5,000	98	32	29.50	0.2127	212.7	158.9	77.0	130.6	154.9	21.8	71.6	92	5
1030	12,100	4,400	111	39	43.10	0.3630	239.7	187.4	91.2	152.4	180.3	21.8	83.8	107	5
1035	18,500	3,900	134	51	68.00	0.5440	279.4	218.9	106.4	177.8	211.3	28.4	97.5	130	6
1040	30,600	3,600	160	64	97.50	0.9070	317.5	247.3	120.6	209.6	245.4	28.4	111.3	145	6
1045	42,000	3,200	183	77	136.00	1.0400	346.1	277.7	134.9	235.0	274.1	28.4	122.9	166	8
1050	56,600	2,900	200	89	191.00	1.7700	388.9	314.3	153.2	254.0	305.8	38.1	140.7	183	8
1055	74,000	2,650	220	102	249.00	2.2200	425.4	344.3	168.1	279.4	334.3	38.1	158.0	204	8
1060	90,400	2,450	244	115	306.00	3.1800	457.2	384.4	188.2	304.8	366.0	25.4	169.2	229	8
1070	135,000	2,150	289	127	485.00	4.3500	527.0	451.5	220.7	355.6	424.9	28.4	195.6	267	10

* Coupling Weight is without Bore Machining