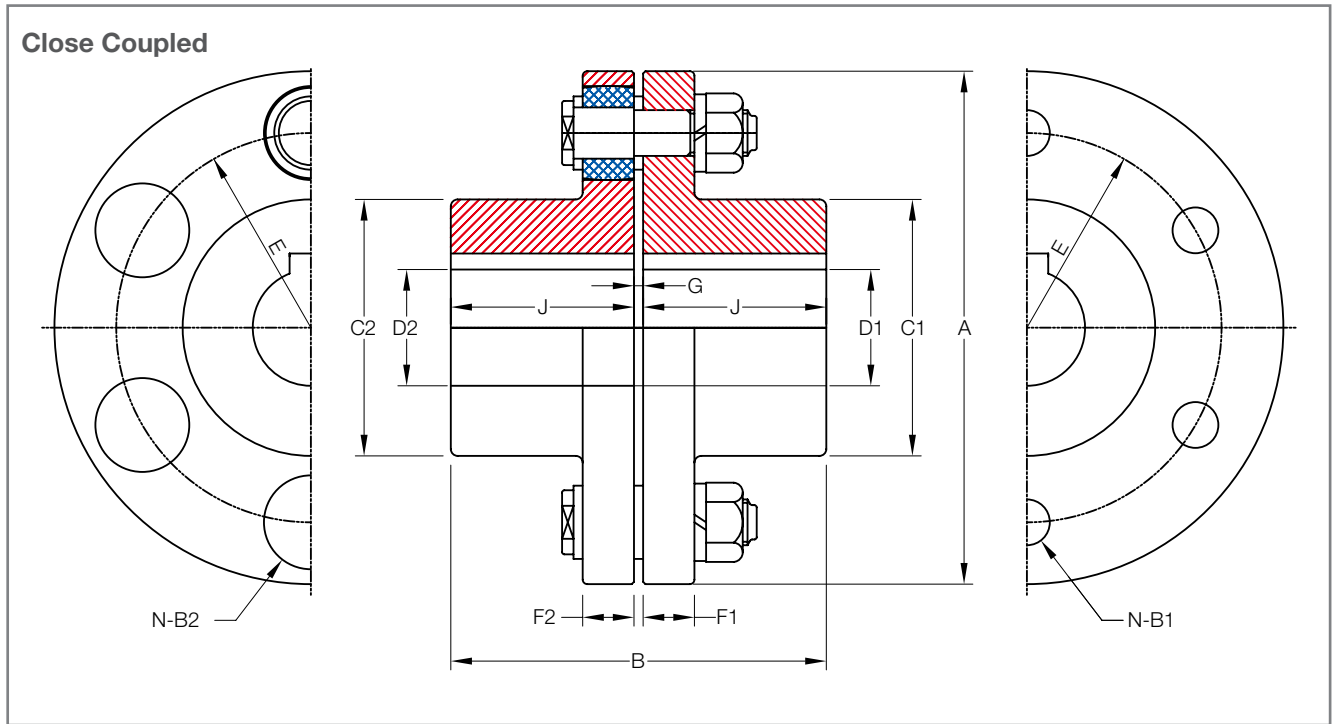
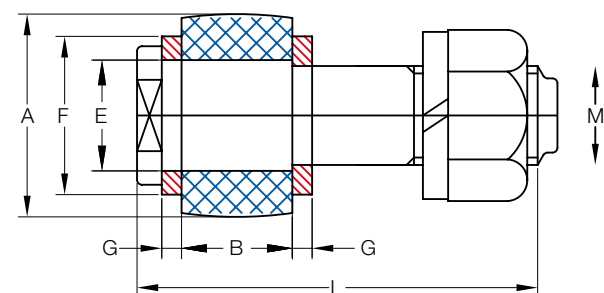


## KFF Type



Size	Torque Rating (Nm)	Allow Speed RPM	Bore Dia			Cplg Weight (Kg)	GD (Kg.m <sup>2</sup> )	Dimensions (Millimeters)								Bolt Hole			
			Max Bore		Min			A	B	C1	C2	F1	F2	J	G	E	N	B1	B2
			D1	D2															
90	5	4,000	20	20	-	1.37	0.00532	90	59	35.5	35.5	14	14.0	28.0	3	60	4-KB6-01	8.0	19
100	10	4,000	25	25	-	2.00	0.00948	100	74	42.5	42.5	16	16.0	35.5	3	67	4-KB6-02	10.0	23
112	16	4,000	28	28	16	2.64	0.01520	112	83	50.0	50.0	16.0	16.0	40.0	3	75	4-KB6-02	10.0	23
125	25	4,000	32	28	18	3.59	0.02580	125	93	56.0	50.0	18.0	18.0	45.0	3	85	4-KB6-03	14.0	32
140	50	4,000	38	35	20	4.88	0.04220	140	103	71.0	63.0	18.0	18.0	50.0	3	100	6-KB6-03	14.0	32
160	110	4,000	45	45	25	6.70	0.07410	160	115	80.0	80.0	18.0	18.0	56.0	3	115	8-KB6-03	14.0	32
180	157	3,500	50	50	28	8.98	0.12100	180	129	90.0	90.0	18.0	18.0	63.0	3	132	8-KB6-03	14.0	32
200	245	3,200	56	56	32	13.90	0.24100	200	146	100.0	100.0	22.4	22.4	71.0	4	145	8-KB6-04	20.0	41
224	392	2,850	63	63	35	18.10	0.38400	224	164	112.0	112.0	22.4	22.4	80.0	4	170	8-KB6-04	20.0	41
250	617	2,550	71	71	40	26.60	0.72000	250	184	125.0	125.0	28.0	28.0	90.0	4	180	8-KB6-05	25.0	51
280	980	2,300	80	80	50	37.40	1.29000	280	204	140.0	140.0	40.0	28.0	100.0	4	200	8-KB6-06	28.0	57
315	1,570	2,050	90	90	63	50.30	2.12000	315	228	160.0	160.0	40.0	28.0	112.0	4	236	10-KB6-06	28.0	57
355	2,450	1,800	100	100	71	79.20	4.42000	355	255	180.0	180.0	56.0	35.5	125.0	5	260	8-KB6-07	35.5	72
400	3,920	1,600	110	110	80	100.00	7.10000	400	255	200.0	200.0	56.0	35.5	125.0	5	300	10-KB6-07	35.5	72
450	6,175	1,400	125	125	90	132.00	11.50000	450	285	224.0	224.0	56.0	35.5	140.0	5	355	12-KB6-07	35.5	72
560	9,800	1,150	140	140	100	207.00	27.30000	560	325	250.0	250.0	56.0	35.5	160.0	5	450	14-KB6-07	35.5	72
630	15,680	1,000	160	160	110	271.00	44.10000	630	365	280.0	280.0	56.0	35.5	180.0	5	530	18-KB6-07	35.5	72



\* Coupling Weight is without Bore Machining

Size	Dimensions (Millimeters)						
	A	F	E	M	B	G	L
KB6-01	18	14	9.0	8	14.0	3	50
KB6-02	22	18	12.0	10	16.0	3	56
KB6-03	31	25	16.0	12	18.0	3	64
KB6-04	40	32	22.4	20	22.4	4	85
KB6-05	50	40	28.0	24	28.0	4	100
KB6-06	56	45	31.5	24	40.0	4	116
KB6-07	71	56	40.0	30	56.0	5	150