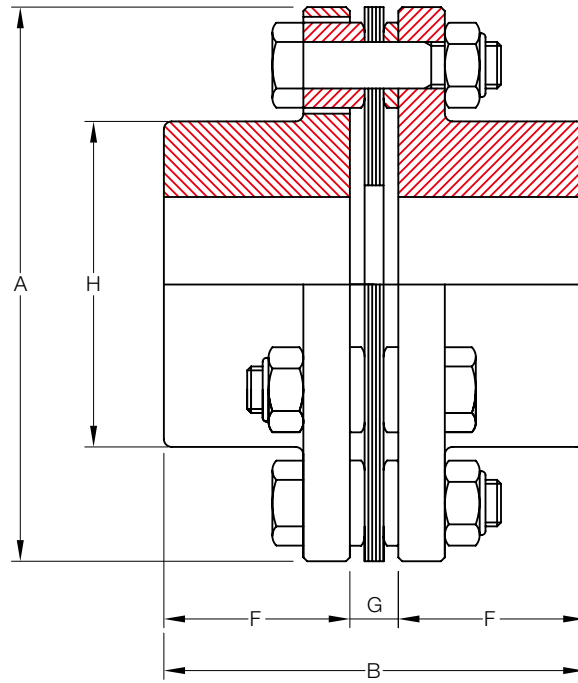


KS3 Type

Single Disc Flex with Six Bolts



Angular Misalignment = 0.7°
6 Bolt Holes

Size	Torque Rating (Nm)	Allow Speed RPM	Max Bore (mm)	Shaft Line Displacement (mm)	Bolt Torque (Kg.m)	GD ² (Kg.m ²)	Dimensions (Millimeters)				
							A	B	F	G	H
00	568	26,000	51	3.0	2.2	0.04	119	168	54	10.3	74
01	921	23,000	55	3.4	4.2	0.08	137	198	63	11.0	81
02	1,705	19,000	67	3.6	7.3	0.16	161	238	74	12.0	97
03	3,342	17,000	72	4.2	15.9	0.28	180	269	80	14.0	104
04	4,900	15,000	85	4.5	22.1	0.60	212	308	95	17.0	124
05	6,076	11,600	125	3.9	22.1	2.20	276	377	112	17.5	180
10	8,232	11,600	125	3.9	22.1	2.20	276	377	112	19.0	180
15	10,682	10,300	140	4.2	45.0	3.60	308	440	134	19.0	200
20	17,836	9,200	158	4.8	58.0	6.80	346	497	153	22.5	228
25	26,362	8,500	165	5.2	110.0	10.80	375	553	165	28.0	240
30	33,418	7,800	178	5.4	150.0	16.40	410	610	178	31.0	258
35	39,886	7,200	187	5.6	170.0	24.00	445	646	188	31.0	272
40	46,256	6,800	205	6.3	170.0	30.80	470	686	206	34.0	297
45	59,780	6,200	231	6.7	170.0	48.00	511	749	231	35.5	334
50	74,676	5,700	254	7.3	310.0	72.80	556	800	254	37.0	364
55	92,512	5,400	263	7.8	360.0	100.60	587	839	264	37.5	382