

# TIRE

---

## COUPLING

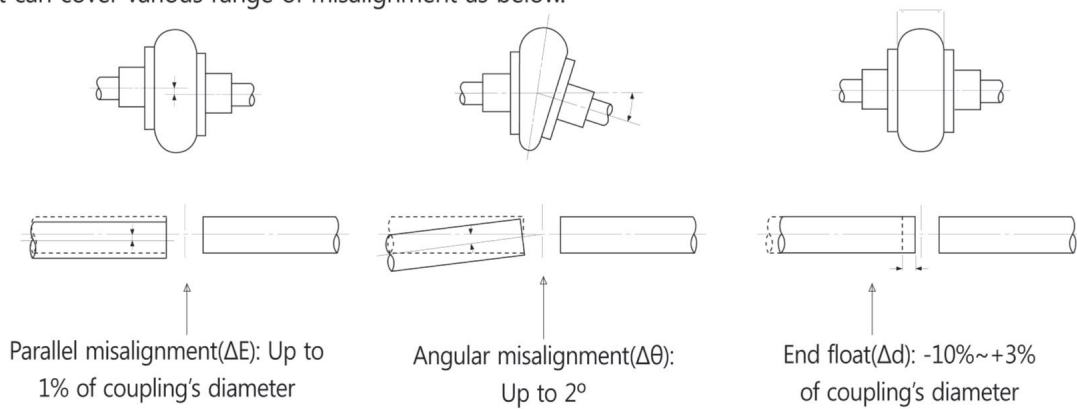




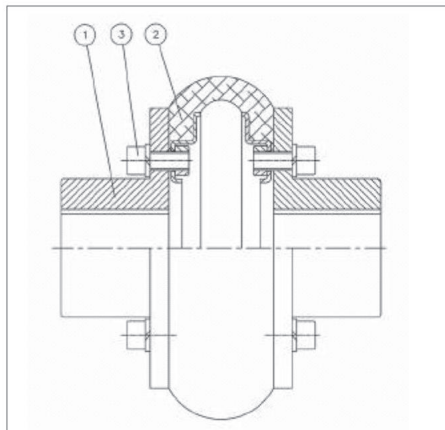
# TIRE COUPLING

## FEATURE

1. Tire coupling has high durability due to tire coat(cord) in tire element, which is used as reinforcing material and support tire for longer time.
2. It has superior shock absorption and torsion damping during power transmission.
3. With light-weight and no-lubrication, it is easy to assemble and disassemble. This allows couplings to be replaced in short time.
4. It is mostly used in pump, conveyor application; Hydraulic pump, Centrifugal pump, Chain conveyor, Belt conveyor.
5. It can cover various range of misalignment as below.



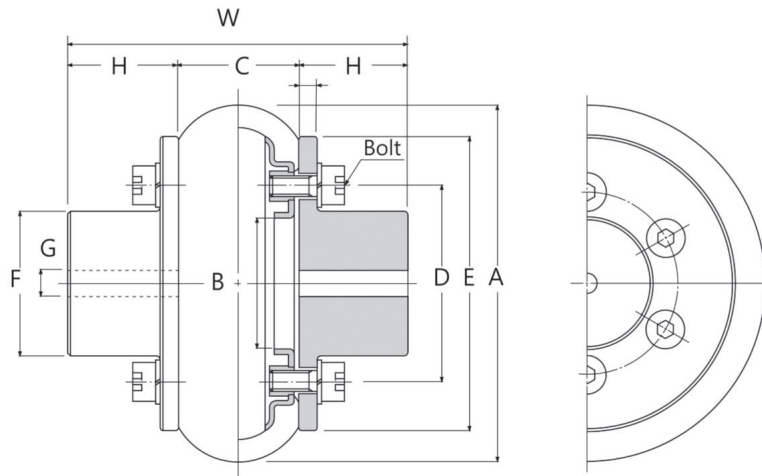
## STRUCTURE



PARTS	
①	FLANGE
②	TIRE
③	BOLTS

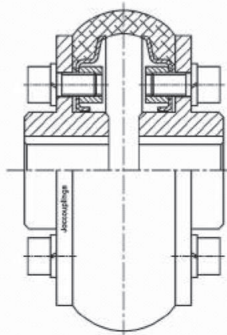


## DIMENSION

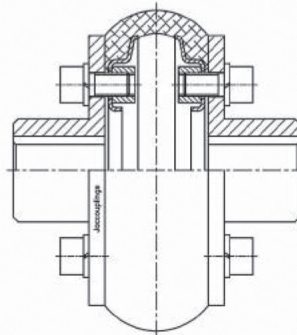


Size	Torque Rating (kgf·m)	Allow Speed (rpm)	Tire			Flange					G Max. Bore	W	Bolt 2×n-d×p×ℓ	GD <sup>2</sup> (kgf·cm)	Weight (kg)
			A	B	C	D	E	F	H	I					
JAC-100	5	5,000	100	35	37	50	82	36	28	6	22	93	2×6-M6×1.0×20	34.9	1.1
JAC-120	10	4,500	120	45	39	65	106	48	35	6	28	109	2×6-M6×1.25×20	78.4	2.0
JAC-140	15	4,200	140	52	45	75	118	55	44	7	35	133	2×6-M10×1.5×25	164.6	3.0
JAC-160	22	4,000	160	62	51	85	132	65	53	8	42	157	2×6-M10×1.5×25	301.8	4.5
JAC-185	30	3,600	185	74	58	100	154	77	60	10	48	178	2×6-M12×1.75×25	568.4	6.6
JAC-220	50	3,200	220	84	67	112	180	89	69	12	55	205	2×6-M12×1.75×30	1,293.6	11.8
JAC-265	100	2,600	265	112	82	140	214	117	94	14	75	270	2×6-M12×1.75×35	3,802.4	21.7
JAC-340	165	2,100	340	142	106	180	272	150	120	18	95	346	2×6-M16×2.0×45	12,544.0	46.5
JAC-445	500	1,600	455	190	139	236	344	202	160	25	128	459	2×6-M18×2.5×55	44,688.0	110.0
JAC-550	1,000	1,200	550	230	173	290	430	246	170	26	170	513	2×8-M24×3.0×70	125,440.0	187.0
JAC-700	2,000	1,000	700	310	220	370	544	326	220	26	220	660	2×12-M24×3.0×70	356,720.0	394.0

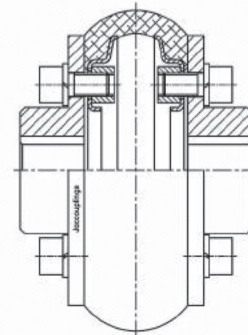
## SPECIAL TYPES



M Type

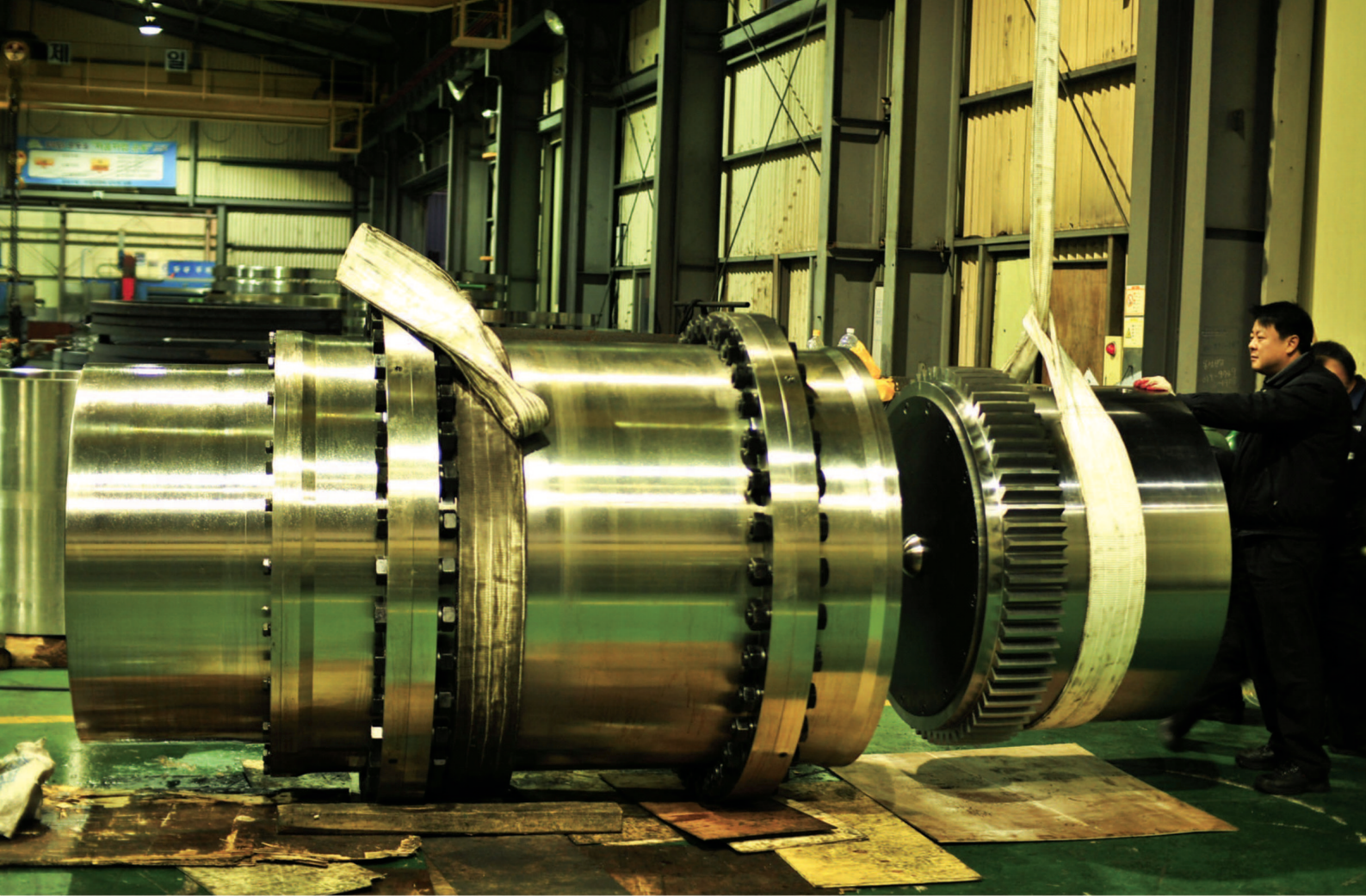


K Type



P Type





 **Jac coupling**

HOME PAGE [http : // www.jacoup.co.kr](http://www.jacoup.co.kr)  
E-mail : [jac@jacoup.co.kr](mailto:jac@jacoup.co.kr)