

# Recording Thermometer

Model No. **SS-4041 Series**



SS-4041 250mm

## Summary

This instrument is designed to record change of pressure with a pen on a record paper by a recording device according to the flow of the time

### Safety Management

- If possible, install a well.
- Do not give impact during transportation, installation and usage.
- Be sure to install the thermometer to be horizontal and vertical.
- Avoid the places where steam and poisonous gas exist a lot.

### Purpose of Use

- Various boilers
- Checking, observing, recording, etc. for various usage

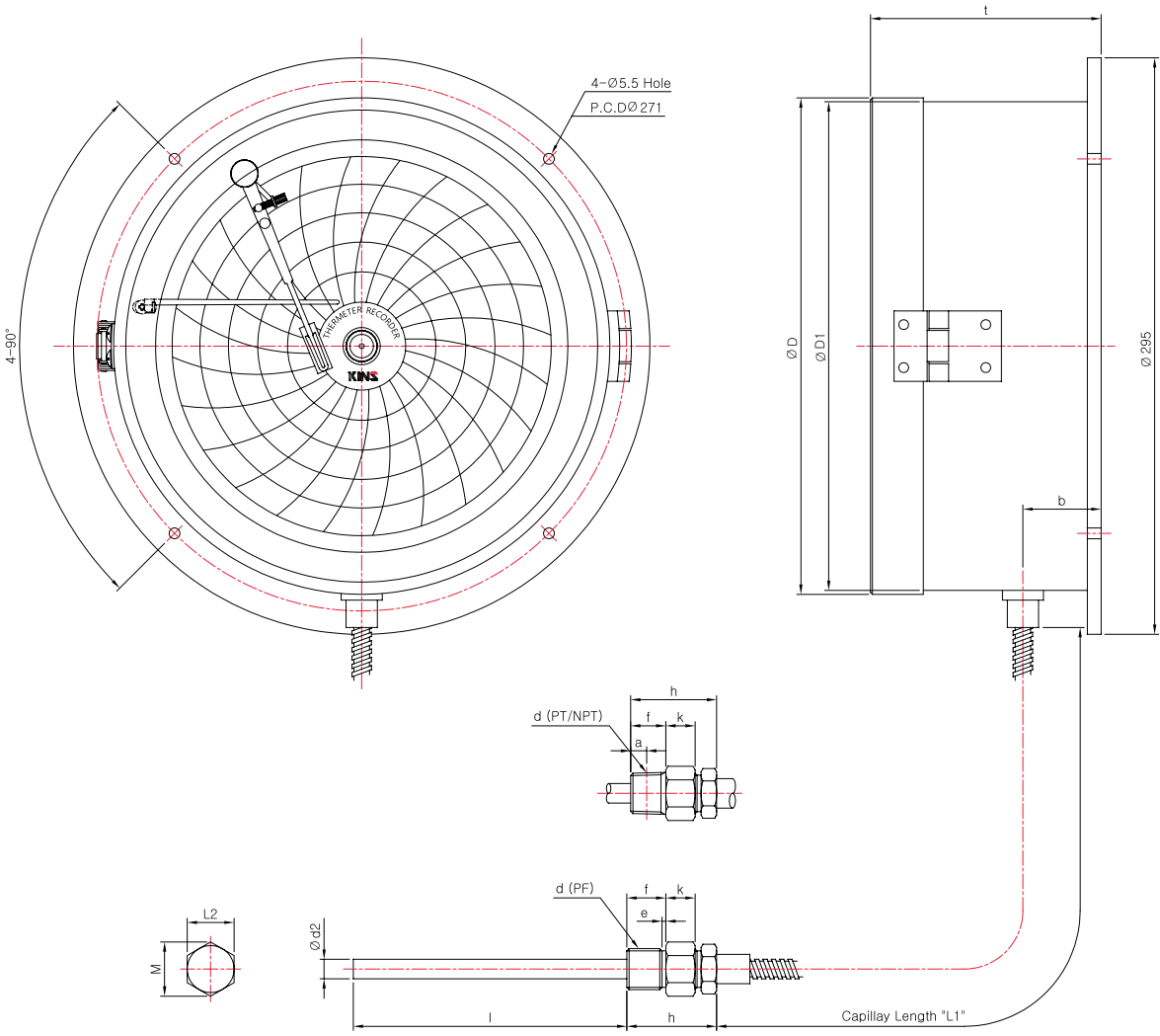
### Production Specification

- ▶ Diameter
  - 250 mm
- ▶ Accuracy
  - Grade :  $\pm 2.0\%$  of Full Scale
- ▶ Scale Range
  - $-30^{\circ}\text{C} \sim 650^{\circ}\text{C}$
- ▶ Common Temperature
  - 75% of Full Scale

### Product Specification

- |  |  |   |
|--|--|---|
| <ul style="list-style-type: none"><li>+ Case<ul style="list-style-type: none"><li>· Aluminum(Black coating)</li></ul></li><li>+ Cover<ul style="list-style-type: none"><li>· Aluminum(Black coating)</li></ul></li><li>+ Connection<ul style="list-style-type: none"><li>· STS 304, 316</li><li>· PF, PT, NPT <math>\leftrightarrow</math> 1/2</li></ul></li><li>+ Window<ul style="list-style-type: none"><li>· General glass</li><li>· Tempered safety glass</li></ul></li></ul> | <ul style="list-style-type: none"><li>+ Type<ul style="list-style-type: none"><li>· Surface Type</li></ul></li><li>+ Chart Paper<ul style="list-style-type: none"><li>· 30Papers</li></ul></li><li>+ Recorder Pen<ul style="list-style-type: none"><li>· Aluminum</li><li>· 1 pen (Temperature)</li><li>· 2 pen (Temperature &amp; Pressure)</li></ul></li><li>+ Revolution Time<ul style="list-style-type: none"><li>· Controlling type <math>\sim</math> 30 min</li><li>(Battery type) 1, 3, 4, 12, 24 hr</li><li>2, 4, 7, 8, 16 Day</li></ul></li></ul> | <ul style="list-style-type: none"><li>+ Capillary Tube<ul style="list-style-type: none"><li>· Standard 2 M (Maximum 10 M)</li><li>(Minimum strength for the part of detecting temperature is two times of the general part)</li></ul></li><li>+ Element<ul style="list-style-type: none"><li>· STS 304, STS 316</li></ul></li><li>+ Well<ul style="list-style-type: none"><li>· STS 304, STS 316</li><li>· Titanium, Monel, Hastelloy</li><li>Teflon Lining, Glass Lining</li></ul></li></ul> |
|--|--|---|

## Model No. | SS-4041 (250mm)



※ The formation of detecting temperature, the standard manufacturing temperature and the minimum strength of the detecting temperature part is the same as SS-4010 and the contact type is the same as SS-4025

### Dimensions (mm)

Model No.	Conn'n (d)	ØD	ØD1	b	t	L2	M	k	Ød2	h	f	e	a
SS-4041	PF 1/2	254	250	40	(118)	24	(27.7)	17	8	(50)	20	2	-
	NPT & PT 1/2								10	(48)	18	-	8.16

\*( )The measurement in the blanket is approximate.

- Pressure Gauge
- Differential Pressure Gauge & Switch
- Accessories of Pressure Gauge
- Thermometer & Thermometer Switch
- Thermocouple & R.T.D
- Thermowell
- Transmitter
- Indicator etc.
- Technical data