

Liquid Filled Type Thermometer (Direct)

Model No. SS-4030 Series



SS-4031



SS-4032

Summary

The scale interval of this instrument is divided equally. Therefore, it is easy to read the scale when measuring the temperature. As the driving power is strong, the indicator indicates certainly and depending on the special condition of the installation place, it can be ordered in various form of bend and can be made by many other ordering ways.

Safety Management

- If possible, install a well.
- Do not give impact during transportation, installation and usage.
- Be sure to install the thermometer to be horizontal and vertical.
- Avoid the places where steam and poisonous gas exist a lot.

Purpose of Use

- Various boilers
- dyeing machines
- Petrochemistry plant
- Measuring the inner part temperature of a tank
- Ships
- LPG, LNG gas lines

Production Specification

- ▶ Diameter
 - 100, 150 mm
- ▶ Accuracy
 - Grade : $\pm 2.0\%$ of Full Scale
- ▶ Scale Range
 - $-30^{\circ}\text{C} \sim 650^{\circ}\text{C}$
- ▶ Common Temperature
 - 75% of Full Scale
- ▶ Degree Of Protection
 - IP65

Product Specification

+ Case

- STS 304

+ Cover

- STS 304
- Slip-on-Fit

+ Connection

- STS 304, 316
- PF, PT, NPT ↔ 1/2

+ Window

- General glass
- Tempered safety glass
- Laminated safety glass

+ Type

- I Type
- T Type

+ Dial

- Aluminum
- Color of white
- Black gradation and characters

+ Pointer

- Aluminum
- Black coating

+ Stem

- STS 304, STS 316
- Type : Union Type – Standard type

+ Well

- STS 304, STS 316
- Titanium, Monel, Hastelloy Teflon Lining, Glass Lining

Pressure Gauge

Differential Pressure Gauge & Switch

Accessories of Pressure Gauge

Thermometer & Thermometer Switch

Thermocouple & R.T.D

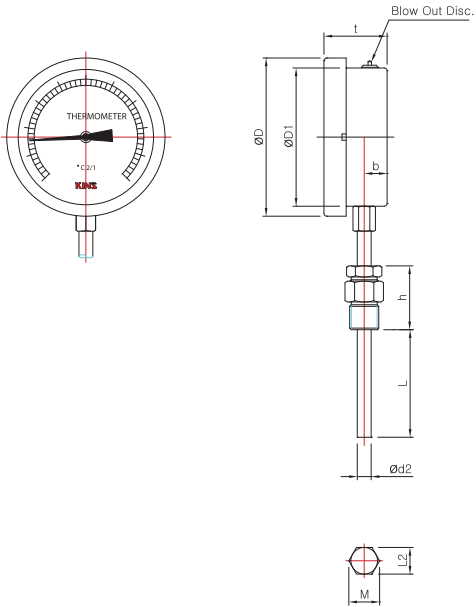
Thermowell

Transmitter

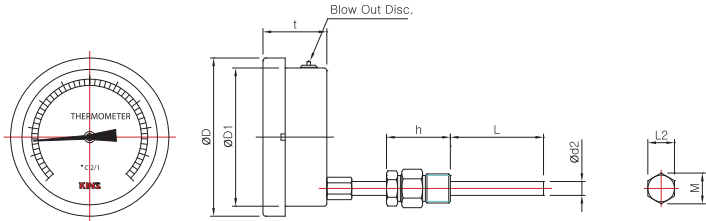
Indicator etc.

Technical data

Model No. | SS-4031 I-Type



Model No. | SS-4032 T-Type



Dimensions (mm)

| | Model No. | Conn'n (d) | ØD | ØD1 | b | n | t | L2 | M | k | Ød2 | h | f | e | a |
|-------|-----------|--------------|-----|-----|----|----|------|----|--------|----|-----|------|----|---|------|
| 100mm | SS-4031 | PF 1/2 | 114 | 100 | 17 | - | (46) | 24 | (27.7) | 17 | 8 | (50) | 20 | 2 | - |
| | | NPT & PT 1/2 | | | | | | | | | 10 | (48) | 18 | - | 8.16 |
| | SS-4032 | PF 1/2 | 114 | 100 | - | 37 | (46) | 24 | (27.7) | 17 | 8 | (50) | 20 | 2 | - |
| | | NPT & PT 1/2 | | | | | | | | | 10 | (48) | 18 | - | 8.16 |
| 150mm | SS-4031 | PF 1/2 | 170 | 156 | 17 | - | (50) | 24 | (27.7) | 17 | 8 | (50) | 20 | 2 | - |
| | | NPT & PT 1/2 | | | | | | | | | 10 | (48) | 18 | - | 8.16 |
| | SS-4032 | PF 1/2 | 170 | 156 | - | 37 | (50) | 24 | (27.7) | 17 | 8 | (50) | 20 | 2 | - |
| | | NPT & PT 1/2 | | | | | | | | | 10 | (48) | 18 | - | 8.16 |

*()The measurement in the blanket is approximate.

- Pressure Gauge
- Differential Pressure Gauge & SWITCH
- Accessories of Pressure Gauge
- Thermometer & Thermometer Switch
- Thermocouple & R.T.D
- Thermowell
- Transmitter
- Indicator etc.
- Technical data