

Main Specifications	Other Specifications
<p>▼ Size 2"</p> <p>▼ Window PC</p> <p>▼ Mount type Snap-in design Secure on socket</p> <p>▼ Stem Material: copper alloy Outer diameter 1/4" (6mm) Length: 32mm</p> <p>▼ Temperature range Min.: 0°C Max.: +120°C</p> <p>▼ Applicable fluid Liquid and gas that compatible with copper alloy</p> <p>▼ Protection level IP 54</p>	<p>▼ Ring Stainless steel Outside bayonet</p> <p>▼ Case ABS</p> <p>▼ Pointer ABS</p> <p>▼ Dial face All black scale</p> <p>▼ Measuring elements Bourdon tube Material: copper alloy Liquid-actuated ▼</p> <p>▼ Capillary Copper alloy, covered by plastic Length: 1m</p> <p>▼ Movement Copper alloy</p> <p>▼ Temperature accuracy 3%</p> <p>▼ Operating temperature Stabilization: 3/4* full scale Short-time: 1* full scale</p>

Remote Reading Small Thermometer with Capillary Model: RT50



RT50(N)



RT50(O)



Due to the variety of customization, the picture is only for reference, please confirm the actual item with our sales. (If there is any change on specification, please take the latest version as standard.)

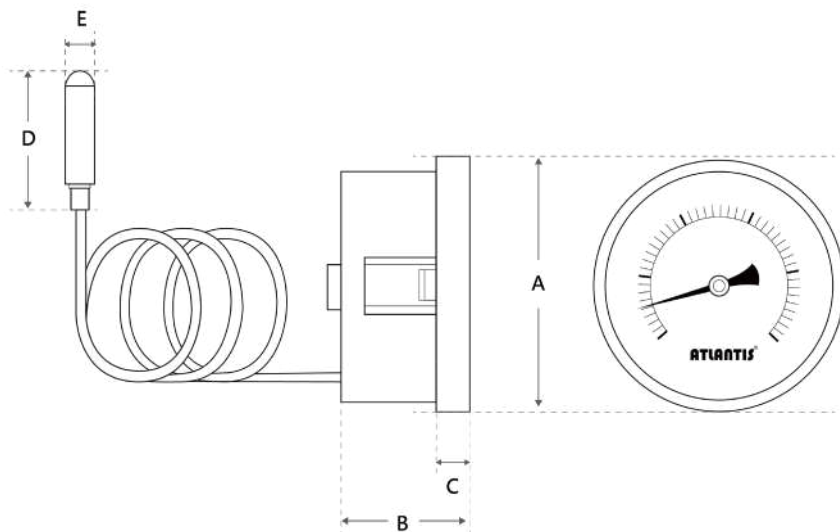
Features

- OEM service
- Compact design with affordable price
- Suitable for temperature measurement that needs remote reading
- Full scale accuracy: within 3%
- Medium-actuated measurement ensuring the fastest reaction to ambient temperature

Other request:

- Inspection report (issued by Re-Atlantis)
- Customized dial face (scale, color, etc.)
- Capillary with coating
- Other temperature range
- Tag
- Third party notarized document
- Window: acrylic
- Connection: M5 male thread

Dimension



How to order

Model	Temperature range	Capillary
RT50(N)	0...120°C	1m
RT50(N)	0...120°C	1m (standard)
RT50(O)	Others (please specify)	+1m (at least add 1 meter)

Order example: RT50(N) - (0...120°C) - 1m