

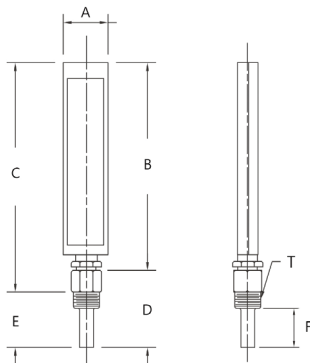
Main Specifications

- ▼ Size
6"
- ▼ Installation type
Bottom mount
- ▼ Window
Glass
- ▼ Stem
Material: copper alloy
Outer diameter: 9.5 mm
Length: 60 mm (include thread)
- ▼ Stem connection
Material: copper alloy
Specification: 3/4*16
- ▼ Thermowell
Material: copper alloy
Specification: 1/2" PT
Length: 48 mm (include thread)
- ▼ Temperature range
-10°C~+50°C / 0°C~100°C
- ▼ Applicable fluid
Liquid and gas that compatible with stem's material
- ▼ Protection level
IP 43

Other Specifications

- ▼ Case
Reinforced plastic ABS
- ▼ Liquid-in-glass
Red organic liquid
- ▼ Dial face
Red and black scale
V-shape concave design
- ▼ Measuring elements
Liquid-expansion
Temperature sensing area: last 1" of stem
- ▼ Temperature accuracy
±1% scale
- ▼ Operating temperature
Stabilization: 3/4* full scale
Short-time: 1* full scale

Dimension



6" Industrial Glass Thermometer (Bottom mount type)

Model: PGS6

Introduction

PGS6 industrial glass thermometer adopts liquid expansion as measuring elements. The glass tube is filled with organic liquid exclude mercury. Temperature range -50 ~ 200°C.



Due to the variety of customization, the picture is only for reference, please confirm the actual item with our sales. (If there is any change on specification, please take the latest version as standard.)

Features

- OEM service
- Glass tube filled with liquid exclude mercury
- Accuracy ± 1% scale

How to order

PGS6		6" Industrial Glass Thermometer (Bottom mount type)			
Code		Temperature range			
Custom		0°C to100°C			
Code		Stem length			
60		60mm			
Code		Stem material			
B		Copper alloy			
Code		Thermowell material			
B		Copper alloy			
Code		Other requests			
/A		Inspection report			
PGS6	0°C to100°C	60	B	B	Order example: PGS6(-10~+50°C)-60-B-B