

Main Specifications

- ▼Size
6"
- ▼Installation type
90° angle installation
- ▼Window
Glass
- ▼Stem
Material: copper alloy
Outer diameter: 9.5 mm
- ▼Stem connection
Material: copper alloy
thread: 3/4" *16 (without thread)
- ▼Thermowell
Material: copper, SS304
thread: 1/2" PT
Length include thread: 48mm, 58mm
- ▼Temperature range
-5°C~55°C (stem without thread)
-10°C~50°C / 0°C~100°C
- ▼Applicable fluid
Liquid and gas that compatible with stem's material
- ▼Protection level
IP 43

Other Specifications

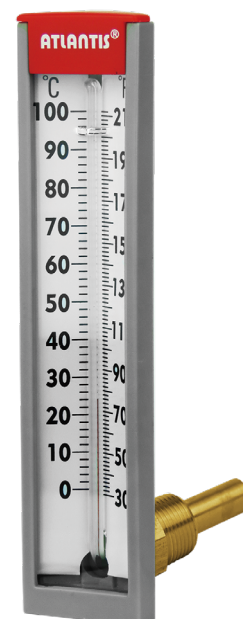
- ▼Case
Reinforced plastic ABS
- ▼Liquid-in-glass
Red organic liquid
- ▼Dial face
Red and black scale
V-shape concave design
- ▼Measuring elements
Liquid-expansion
Temperature sensing area: last 1" of stem
- ▼Temperature accuracy
±1% scale
- ▼Operating temperature
Stabilization: 3/4* full scale
Short-time: 1* full scale

6" /6.5" Industrial Glass Thermometer (L type)

Model: PGL6

Introduction

PGL6 industrial glass thermometer adopts liquid expansion as measuring elements. The glass tube is filled with organic liquid exclude mercury. Temperature range -10 ~ 200°C.

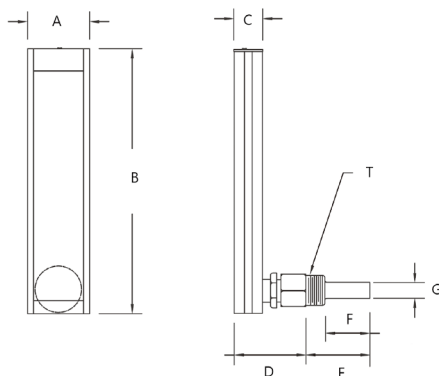


Due to the variety of customization, the picture is only for reference, please confirm the actual item with our sales. (If there is any change on specification, please take the latest version as standard.)

Features

- OEM service
- Glass tube filled with liquid exclude mercury
- Accuracy ± 1% scale

Dimension



How to order

PGL6	6" / 6.5" Industrial Glass Thermometer (L type)				
	Code	Temperature range			
	Custom	-10°C to +50°C			
		Code	Stem material		
		B	Copper alloy		
			Code	Thermowell length	
			48	48mm	
			58	58mm	
			Code	Thermowell material	
			B	Copper alloy	
			SS	SS 304	
			Code	Other requests	
			/A	Inspection report	
PGL6	-10...+50°C	B	48	B	Order example: PGL6-(-10...+50°C)-B-48-B