

Main Specifications

- ▼Size
3" , 4" , 5" , 6"
- ▼Installation type
Back mount with flange (FTFF)
Back mount with U-clamp (FTFU)
Wall mount with flange (FTWF)
Wall mount with 3-hole flange (FTWE)
- ▼Window
Glass
- ▼Process connection
Material: SS304
1/2" PT
3/8" PT
With swivel nut (male thread)
- ▼Stem
Material: SS304 / SS316
Length: 150mm (standard)
Outer diameter: 12mm
Outer diameter / length can be customized upon request
- ▼Capillary
Material: SS304
Length: 3M
Outer diameter: 6.35mm
Outer diameter / length can be customized upon request
- ▼Temperature range
Min. -50°C
Max. +650°C
- ▼Liquid-filling (option)
Glycerin
- ▼Applicable media
Liquid and gas that compatible with SS304
- ▼Protection level
IP54 / IP65 (option)

Other Specifications

- ▼Ring
Stainless steel
Outside bayonet
- ▼Case
SS 304
- ▼Pointer
Aluminum with black enamel
Adjustable pointer
- ▼Dial face
Red and black scale
Pressure unit, scale, and color can be customized upon request
- ▼Movement
Copper alloy
- ▼Measuring elements
Gas-actuated (standard)
Liquid-actuated (option)
- ▼Temperature accuracy
±1%
- ▼Operating temperature
Stability: 3/4* full scale
Short-time: 1* full scale

Remote Reading Thermometer

Model: FT series

Introduction

The capillary of remote reading thermometer is filled with gas or liquid as its sensing elements. FT series thermometer is frequently used in remote temperature measurement to monitor temperature from distance. The outer diameter and length of stem and capillary can be customized to meet the needs of various installation environments.



Back mount with flange (FTFF)



Due to the variety of customization, the picture is only for reference, please confirm the actual item with our sales. (If there is any change on specification, please take the latest version as standard.)

Features

- OEM service
- All stainless steel design
- Various installation types
- Stem / Capillary's outer diameter and length can be customized upon request
- Media-actuated thermometer can fast response to ambient temperature



Wall mount with flange (FTWF)

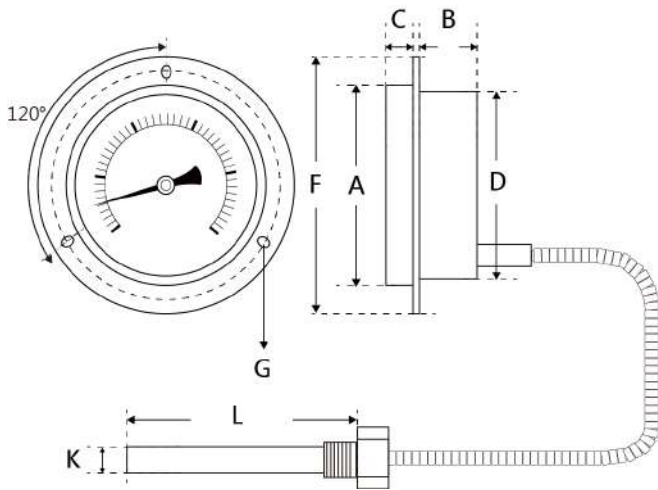


Back mount with U-clamp (FTFU)

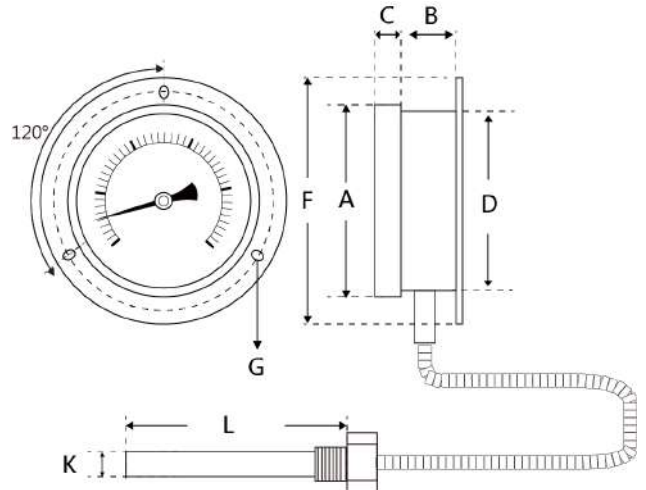


Wall mount with 3-hole flange (FTWE)

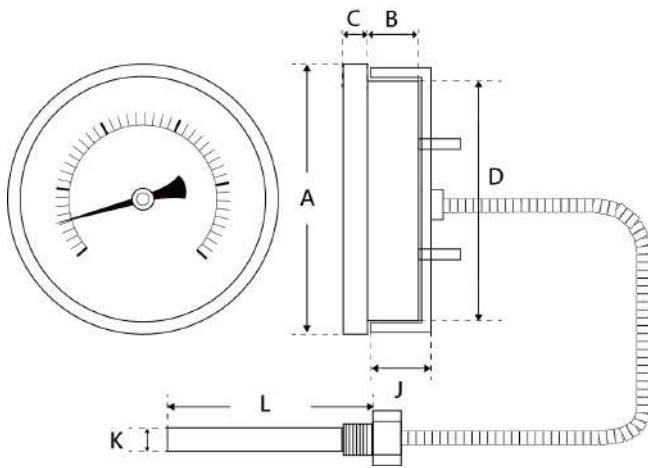
Installation type



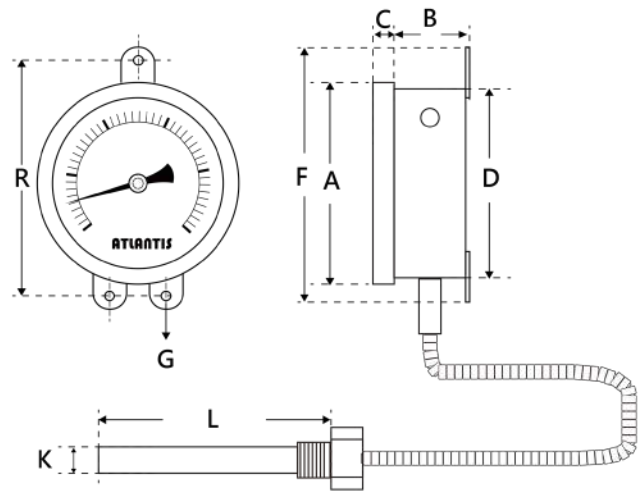
Back mount with flange (FTFF)



Wall mount with flange (FTWF)



Wall mount with flange (FTWF)



Wall mount with 3-hole flange (FTWE)

How to order

Remote Reading Thermometer (FT series)										
Std.	Spec.	Code	Item	Code	Item	Code	Item	Code	Item	
FTFF	Installation type	FTFF	Back mount with flange	FTFU	Back mount with U-clamp	FTWF	Wall mount with flange	FTWE	Wall mount with 3-hole flange	
04	Size	03	3"	04	4"	05	5"	06	6"	
3P	Process connection	3P	3/8" PT male thread with swivel nut	4P	1/2" PT male thread with swivel nut	O	Others	-	-	
304	Stem material	304	SS304	316	SS316	O	Others	-	-	
Custom	Stem outer diameter	Standard: 12mm Other stem outer diameter available upon request								
Custom	Stem length	Standard: 63.5mm Other stem length available upon request								
304	Capillary material	304	SS304	O	Others	-	-	-	-	
Custom	Capillary outer diameter	Standard: 6.35mm Other capillary outer diameter available upon request.								
Custom	Capillary length	Standard: 3M Other capillary length available upon request (Max. 20M)								
Custom	Temp. range	-50 to 650°C								
A	Measuring elements	A	Gas-actuated	L	Liquid-actuated	-	-	-	-	
N	Liquid-filled	N	Dry	L	Glycerin	-	-	-	-	
/D	Other requests	/A	Third party notarized documents			/B	Inspection report			
		/C	Tag			/D	Customized dial (scale, color, unit, etc.)			
		/E	Thermowell (thermowell specifications are customized according to the selected stem specifications)			/F	Install a contact (Please refer to FTC series catalog)			
		/G	Connection with male swivel nut			/H	Safety glass window (Only available for > 4")			
		/I	Capillary coated with Epoxy			/J	Knife edge pointer			
		/K	Concave dial face for easy reading			/L	Remove external adjustable screw			
		/M	Remove anti-sway pointer (increase sensibility)			/N	IP67 (Silicon sealing gasket)			

Order example: FTFF - 04 - 3P - 304 - 12mm - 63.5mm - 304 - 6.35mm - 3M - (0 to 150°C) - A - N + /D