

Main Specifications	Other Specifications
<p>▼ Size 3" , 4" , 6"</p> <p>▼ Installation type Bottom mount</p> <p>▼ Window Acrylic</p> <p>▼ Process connection Material: SS304 Thread size: 1/4" , 3/8" , 1/2" , 3/4" , 1" Thread type: BSPT, NPT, PF</p> <p>▼ Stem Material: SS304 / SS316 Outer diameter: 6.35mm Length: 63.5mm ~ 2032mm</p> <p>▼ Temperature range Min. -50°C Max. +600°C</p> <p>▼ Applicable media Liquid and gas that compatible with SS304</p> <p>▼ Protection level IP 54</p>	<p>▼ Ring Stainless steel Outside bayonet</p> <p>▼ Case SS304 With external adjustable screw</p> <p>▼ Wiring type Visual wiring (FL) / Visual magnet base with junction box (JB) / Concealed magnet base with junction box (H)</p> <p>▼ Contact type Sliding switch SPST</p> <p>▼ Contact function Single contact N.O. (1a)/ Single contact N.C. (1b)/ Double contacts N.O.+N.C. (1a1b) / Double contacts N.C.+N.O. (1b1a) / Double contacts N.O.x2 (2a) / Double contacts N.C.x2 (2b) For more information please refer to single / double contacts wiring</p> <p>▼ Contact material 80% silver, 20% nickel, 10µm gold-plated (>110V) Gold (≤36V)</p> <p>▼ Number of contacts SPSTx1 / SPSTx2 / SPSTx4</p> <p>▼ Pointer Aluminum with black enamel</p> <p>▼ Dial face Red and black scale Pressure unit, scale, and color can be customized upon request</p> <p>▼ Measuring elements Bimetal Temperature sensing area: last 2" ~4" of stem</p> <p>▼ Temperature accuracy 1.5% (Option: 1%)</p> <p>▼ Operating temperature Stabilization: 3/4* full scale Short-time: 1* full scale</p>

Power parameter

Voltage	DC	AC	Inductive load
230V	100mA	120mA	65mA
110V	200mA	240mA	130mA
50V	300mA	450mA	200mA
24V	400mA	600mA	250mA
Capacity 18W / ~30VA			

Bimetal Thermometer with Electrical Contact (Bottom Mount Type)

Model: BTIC

Introduction

BTIC back mount type thermometer with sliding contact SPST is used to control the facility connected to the thermometer. BTIC has wide temperature measuring range (-50 to 600°C), the stem length and outer diameter can be customized upon request, which makes it suitable for various industrial application.

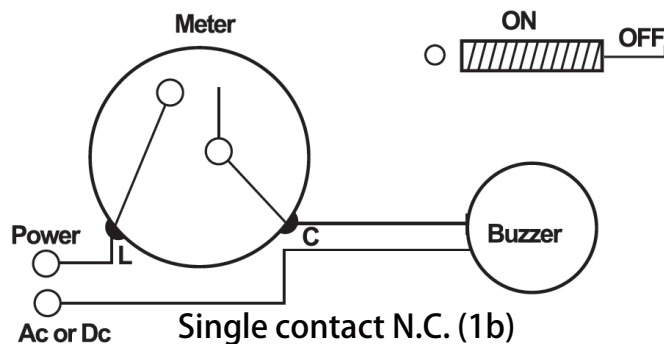
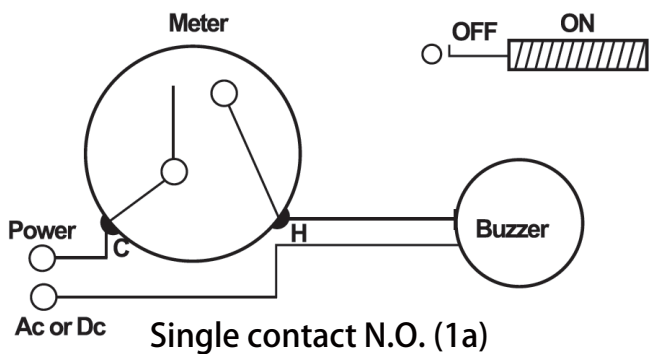


Due to the variety of customization, the picture is only for reference, please confirm the actual item with our sales. (If there is any change on specification, please take the latest version as standard.)

Features

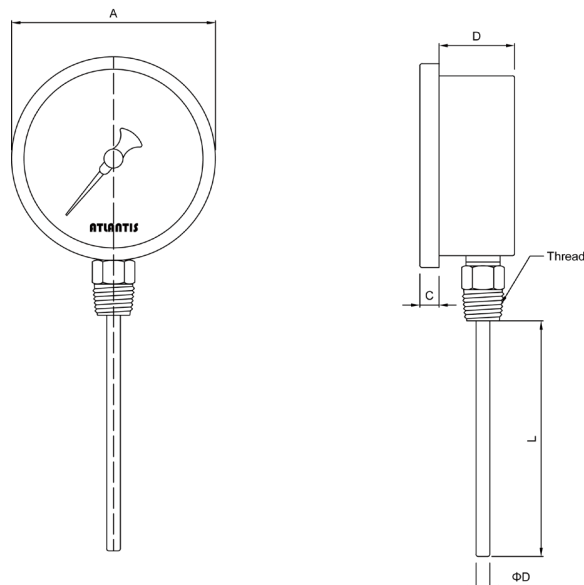
- OEM service
- Adopts sliding switch SPST with various contact function
- All stainless steel design
- Full scale accuracy within 1.5%
- Stem length and outer diameter can be customized upon request
- With external adjustable screw
- Dual temperature unit scale °C/°F

Contact wiring



Double contacts		
	<p>When the pressure indicator reaches left set point (green pointer), "1" contact breaks (circuit open); When the pressure indicator reaches right set point (red pointer), "2" contact makes (circuit close) (NO+NC) <Positive pressure: left→right> Switch mode: SPST X 2</p>	<p>1a1b</p>
	<p>When the pressure indicator reaches left set point (red pointer), "1" contact makes (circuit close) When the pressure indicator reaches right set point (green pointer), "2" contact breaks (circuit open) (NC+NO) <Positive pressure: left→right> Switch mode: SPST X 2</p>	<p>1b1a</p>
	<p>When the pressure indicator reaches left set point (yellow pointer), "1" contact makes (circuit close) When the pressure indicator reaches right set point (red pointer), "2" contact makes (circuit close) (NO x 2) <Positive pressure: left→right> Switch mode: SPST X 2</p>	<p>2a</p>
	<p>When the pressure indicator reaches left set point (green pointer), "1" contact breaks (circuit open) When the pressure indicator reaches right set point (yellow pointer), "2" contact breaks (circuit open) (NC x 2) <Positive pressure: left→right> Switch mode: SPST X 2</p>	<p>2b</p>

Dimension



How to order

BTIC Bimetal Thermometer with Electrical Contact (Bottom Mount Type)

Std.	Spec.	Code	Item	Code	Item	Code	Item	Code	Item
04	Size	03	3"	04	4"	06	6"	-	-

FL	Wiring type	FL	Visual wiring	JB	Visual magnet base with junction box	H	Concealed magnet base with junction box	-	-
----	-------------	----	---------------	----	--------------------------------------	---	---	---	---

1a1b	Contact function	1a	N.O.	1b	N.C.	1a1b	N.O.+N.C.	1b1a	N.C.+N.O.
		2a	N.O.x2	2b	N.C.x2	-	-	-	-

2	Contact numbers	1	SPSTx1	2	SPSTx2	4	SPSTx4	-	-
---	-----------------	---	--------	---	--------	---	--------	---	---

4	Thread size	2	1/4"	3	3/8"	4	1/2"	6	3/4"
		8	1"	O	Others	-	-	-	-

P	Thread type	P	BSPT	N	NPT	F	PF	O	Others
---	-------------	---	------	---	-----	---	----	---	--------

304	Stem material	304	SS304	316	SS316	O	Others	-	-
-----	---------------	-----	-------	-----	-------	---	--------	---	---

Custom	Stem outer diameter	Standard: 6.35mm Other stem outer diameter available upon request							
--------	---------------------	--	--	--	--	--	--	--	--

Custom	Stem length	Standard: 63.5mm Other stem length available upon request							
--------	-------------	--	--	--	--	--	--	--	--

Custom	Temperature range	-50 to 600°C							
--------	-------------------	--------------	--	--	--	--	--	--	--

/D	Other requests	/A	Third party notarized documents	/B	Inspection report
		/C	Tag	/D	Customized dial face (scale, color, unit, etc.)
		/E	Thermowell (thermowell specifications are customized according to the selected stem specifications)	/F	Accuracy: 1%
		/G	Install an swivel nut on connection	/H	Case material SS316
		/I	Window - silicone rubber O-ring sealed	/J	Remove stem thread (min. 35mm 200~300°C)

Order example: BTIC - 04 - FL - 1a1b - 2 - 4 - P - 304 - 6.35mm - 63.5mm - (0 to 100°C) + /D