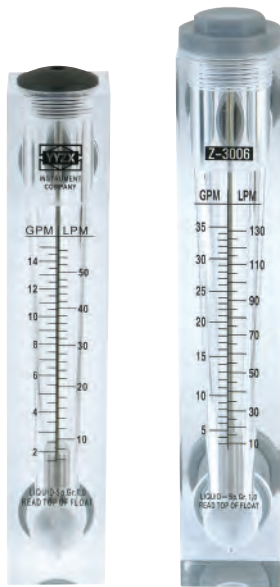


Z-300/Z-300K Series

Acrylic Panel Flowmeters



Features

- One piece machined and polished acrylic meter body.
- Acceptable for outdoor installations (direct sunlight okay)
- Bulkhead nuts attach directly to inside panel.
- Available adjustable valve (flow control) easy to assemble.

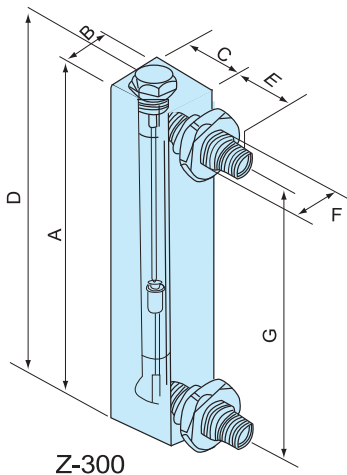
Specifications

Z-300

Model	Measuring range			Thread	Weights (KG)	Working pressure	Accuracy	Working temperature °C
	GPM	LPM	LPH(optional)					
Z-3000	0.03~0.35	0.1~1.4	10~100	BSP1/2"	0.4	≤ 0.6MPa	± 5%	≤55
Z-3001	0.2~2	1~7	50~500					
Z-3002	0.5~5	1.8~18	120~1200	BSP3/4"	0.6	≤ 0.6MPa	± 5%	≤55
Z-3003	2~10	5~40	300~2400					
Z-3004	2~16	10~60	500~3500	BSP1"	0.7	≤ 0.6MPa	± 5%	≤55
Z-3005	4~24	20~100	600~6000					
Z-3006	5~35	30~130	1400~7000					

Sizes

Model	(mm)						
	A	B	C	D	E	F	G
Z-3000							
Z-3001	206	34	40	215	31	20	165
Z-3002							
Z-3003	220	41	45	233	47	33	165
Z-3004							
Z-3005	240	44	50	253	47	33	175
Z-3006							



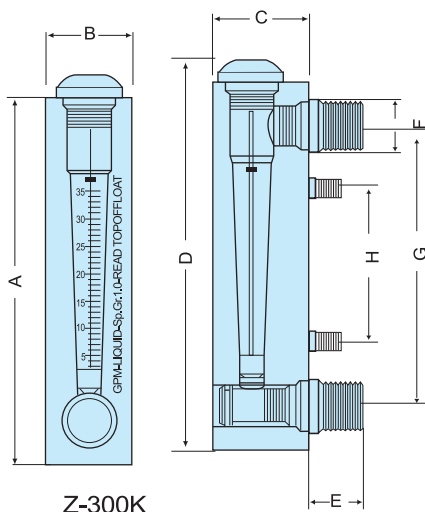
Z-300

Z-300K

Model	Measuring range		Thread	Weight (kg)	Working pressure	Accuracy	Working temperature °C
	GPM	LPM					
K1	0.1~1	0.5~4	ZG1/2"	0.3	≤ 0.6MPa	± 5 %	≤55
K2	0.2~2	1~7					
K2a	0.3~3	2~11					
K3	0.5~5	2~18					
K4	1~10	5~35	ZG1"	0.6	≤ 0.6MPa	± 5 %	≤55
K5	2~14	10~50					
K6	2~20	10~70					
K7	5~35	10~130					

Sizes

Model	(mm)							
	A	B	C	D	E	F	G	H
K1 K2 K2a K3	168	30	34	176	25	25	127	76
K4 K5 K6 K7	226	45	46	232	48	33	165	100



Z-300K