

METERS



nautilus

h y d r a u l i c t e c h n o l o g y

Nominal pressure
PN16

Intallation
UO/DO

ultrasonic
 technology

High accuracy
R500



Ultrasonic design

Ultrasonic flowmeter a robust design that provides a reliable measurement during its useful life.

Flowmeter without mobile elements and 10 years battery life.

High precision due to its high technology ultrasonic doul path.



Applications

The Nautilus ultrasonic flowmeter is designed for water supply networks, agricultural installations and applications for industrial use.



Technical features

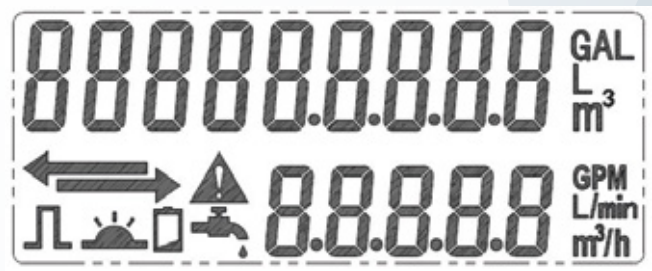
- ✓ - Maximum Working Pressure: 1.6 MPa / 232 psi
- ✓ - Operating temperature: 30 °C - 86 °F
- ✓ - Accuracy: Class 2
- ✓ - Battery life: 10 years
- ✓ - Protection rate: IP68
- ✓ - Environmental temperature: -20 °C/55 °C // -4 °F/ 131 °F
- ✓ - Pressure loss: Δp16
- ✓ - Data storage: 7x24h, 365 days and 72 months.
- ✓ - Optional output: RS485, M-Bus, open collector pulse, 4-20mA passive.

Calibre		Installation conditions	Ratio	Material
mm	inch			
50	2"	U0/D0	500	Ductile function
65	2-1/2"	U0/D0	500	Stainless steel
80	3"	U0/D0	500	Ductile function
100	4"	U0/D0	500	Ductile function
125	5"	U0/D0	500	Stainless steel
150	6"	U0/D0	500	Ductile function
200	8"	U0/D0	500	Ductile function
250	10"	U5/D3	250	Stainless steel
300	12"	U5/D3	250	Stainless steel
350	14"	U5/D3	250	Stainless steel
400	16"	U5/D3	250	Stainless steel



LCD display

9 digits LCD display
Volume units (m ³ , L, GAL,).
Flow rate (m ³ /h, L/min, GPM).
Flow direction
Low battery alarm
Leak detection



- Volume
- Flowrate
- Leak detection
- IR comunicación
- Flow direction
- Low battery alert
- Pulse Output
- Alarm

- Flow direction.
- Alarm, means empty pipe or error.
- The pulse output function has been open.
- Infrared communication working.
- The battery power is low, please replace the battery as soon as possible.
- Leakage occurred in the pipe.



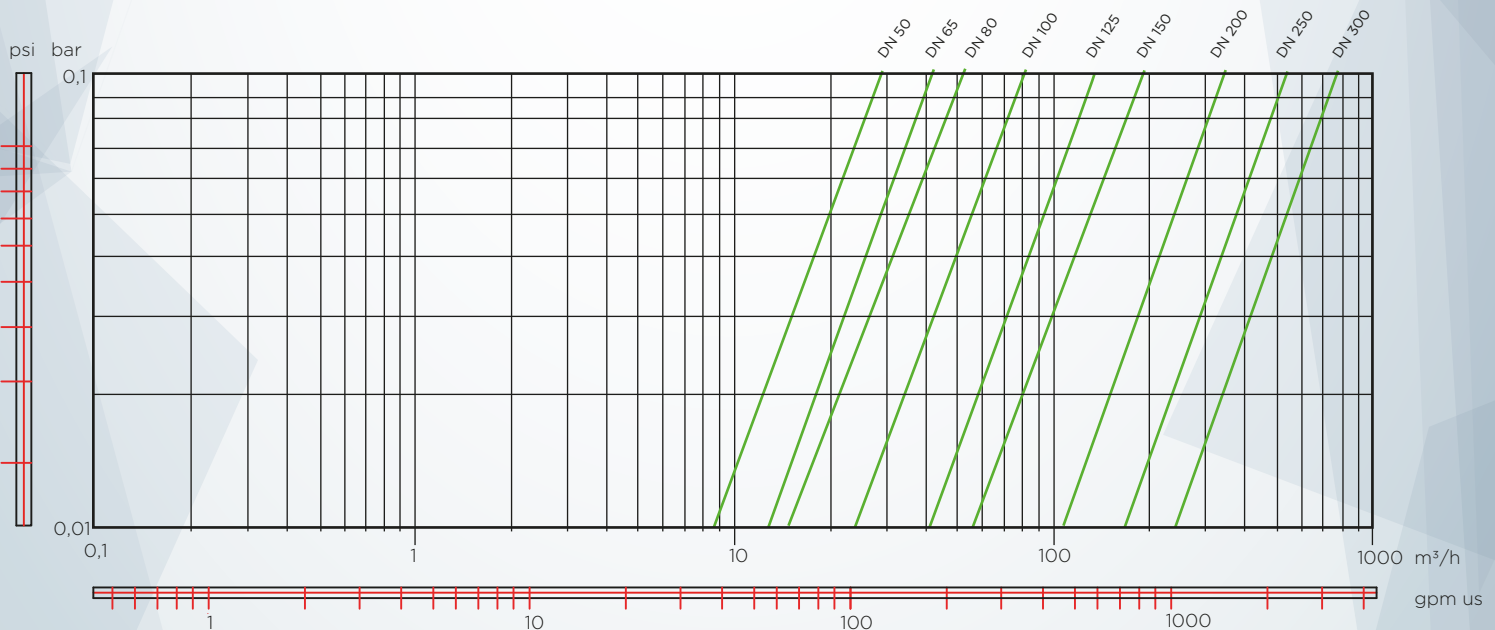
Flow rate

Meter size		Q ₄		Q ₃		Q ₂		Q ₁		Minimum reading	Maximum reading	Ratio	Q start	
mm	Inch.	gpm	m ³ / h	gpm	m ³ / h	gpm	m ³ / h	gpm	m ³ / h	gal / m ³			gpm	m ³ /h
50	2"	220,10	50	176,08	40	0,56	0,128	0,35	0,08	0,0001	999.999.999	R500	0,044	0,01
65	2-1/2"	550,36	125	440,28	100	1,40	0,32	0,88	0,20	0,0001	999.999.999	R500	0,083	0,019
80	3"	347,82	79	277,33	63	0,88	0,202	0,55	0,126	0,0001	999.999.999	R500	0,088	0,02
100	4"	550,25	125	440,20	100	1,41	0,32	0,88	0,2	0,0001	999.999.999	R500	0,136	0,031
125	5"	1375,90	312,5	1100,72	250	3,52	0,80	2,20	0,50	0,0001	999.999.999	R500	0,193	0,044
150	6"	1378,10	313	1100,50	250	3,52	0,8	2,20	0,5	0,0001	999.999.999	R500	0,303	0,069
200	8"	2201,00	500	1760,80	400	5,63	1,28	3,52	0,8	0,0001	999.999.999	R500	0,537	0,122
250	10"	5502,50	1250	4402,00	1000	28,17	6,40	17,61	4	0,0001	999.999.999	R250	0,840	0,191
300	12"	8804,00	2000	7043,20	1600	45,08	10,24	28,17	6,4	0,0001	999.999.999	R250	1,210	0,275
350	14"	11005,00	2500	8804,00	2000	56,35	12,80	35,22	8	0,0001	999.999.999	R250	3,002	0,682
400	16"	13756,25	3125	11005,00	2500	70,44	16,00	44,02	10,0	0,0001	999.999.999	R250	3,782	0,859

Flanges according EN 1092-1



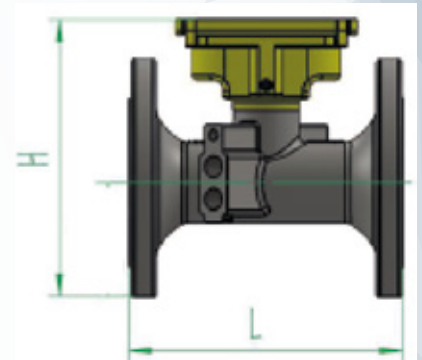
Pressure loss curve





Dimensions

Meter size		Large (L)		High (H)		Weight	
mm	Inch.	inch	mm	inch	mm	lbs	Kg
50	2"	7,87	200	8,03	204	14,33	6,7
65	2-1/2"	7,87	200	12,00	305	15,43	7,0
80	3"	8,85	225	9,29	236	23,36	10,6
100	4"	9,84	250	10,07	256	33,06	15
125	5"	9,84	250	10,86	276	37,91	17,2
150	6"	11,81	300	11,81	300	46,95	21,3
200	8"	13,77	350	13,46	342	79,36	36
250	10"	17,71	450	15,62	397	121,25	55
300	12"	19,68	500	17,63	448	171,96	78
350	14"	19,68	500	21,73	552	224,87	102
400	16"	23,62	600	22,99	584	286,60	130





nautilus

WHEN WATER COUNTS

CUANDO EL AGUA ES LO QUE CUENTA

www.hidroconta.com

Ctra. Sta Catalina, 60
Murcia (30012)
España

T: +34 968 26 77 88
F: +34 968 34 11 49

hidroconta@hidroconta.com

Hidroconta se exime de responsabilidad respecto a errores de la información expuesta en este documento, la cual podrá ser modificada sin previo aviso. Todos los derechos están reservados. © Copyright 2020 HIDROCONTA, S.A.U

