

# WATER METERS





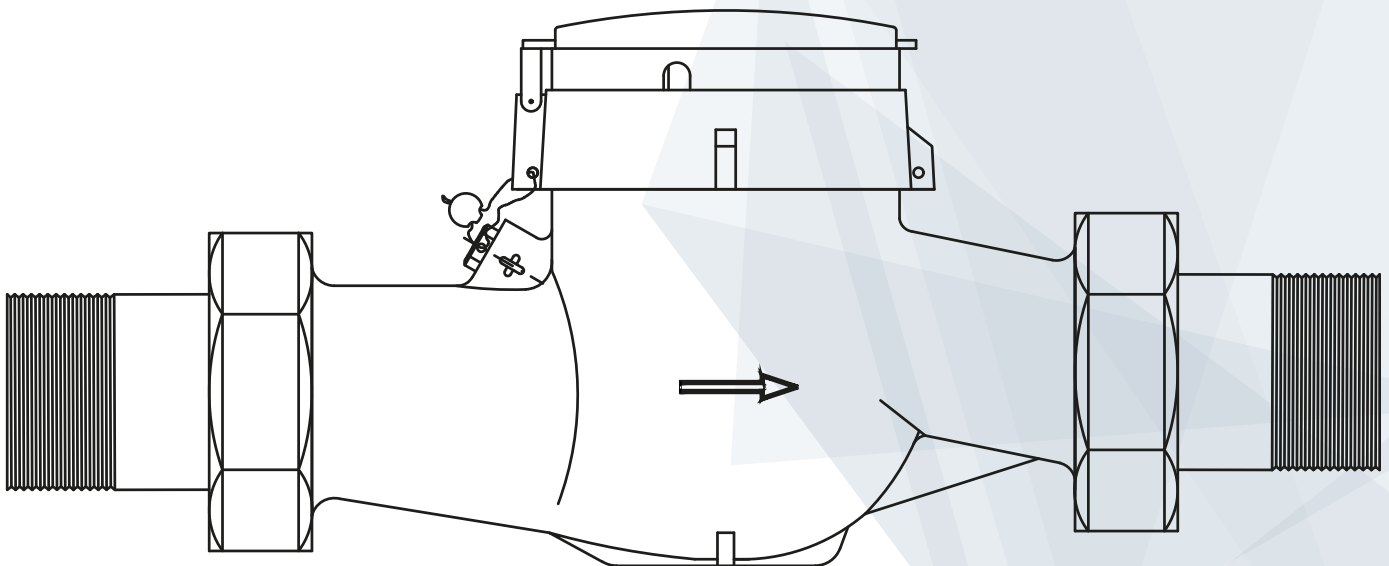
## Hydrodynamic design

Multi-jet technology ensures uniform distribution of load on the turbine located thanks to the water inlet diffuser. The movement activates the magnetic transmission that will give the final reading of the volume.



## High protection

Hidroconta Hydrojet watermeters are designed to avoid external manipulation by magnetic fields. They have a special shield that covers the dial and prevents any possible fraud.





## Ñ certification for irrigation

Thanks to the homologation acquired, the low maintenance needs and the reduced pressure losses this product is suitable for totalizing water for irrigation and hydraulic public domain.



## Pre-equipped

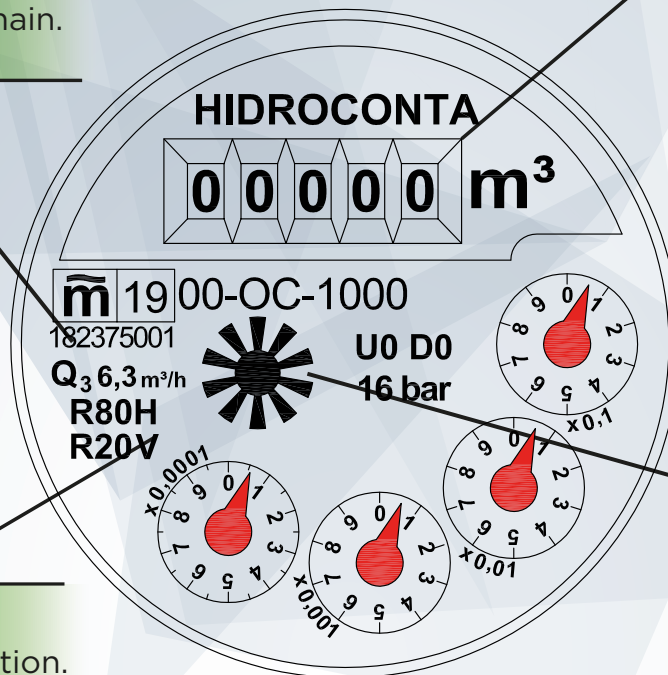
The Hidrojet dial has a pre-installation that allows to place a pulse emitter, without having to stop the counter, this will give information of the reading.



## Dial

Approval for use in irrigation water and hydraulic public domain.

5 lining figures dial.



Rotary starwheel for leak detection.

Accuracy ratio:  
 - R80 in horizontal position.  
 - R20 in vertical position.



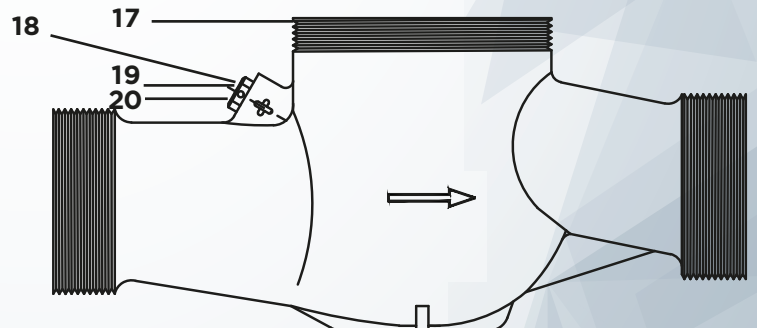
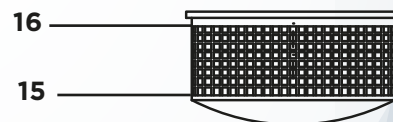
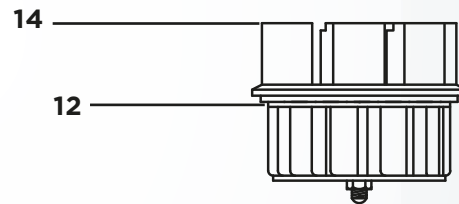
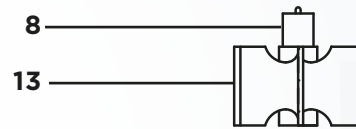
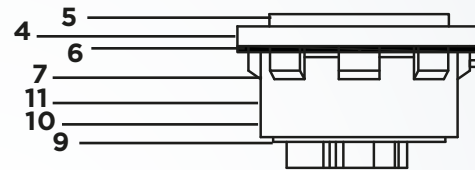
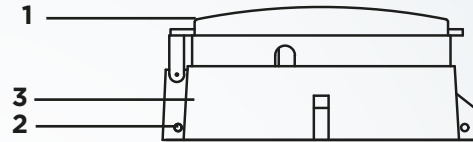
## Technical specifications

- ✓ - Metallic body epoxy coated.
- ✓ - Turbine and dial in thermoplastic material.
- ✓ - Vacuum dial to prevent condensation of water.
- ✓ - Magnetic transmission protected against external magnetic fields.
- ✓ - Pre-installation of pulser for remote reading. Quick connection without stopping or dismantling the meter.
- ✓ - High mechanical and wear resistance .
- ✓ - Ratio R80 in horizontal and Ratio R20 in vertical position.
- ✓ - Straight sections are not necessary at the Hidrojet input or output U0-D0.



## Disassembly

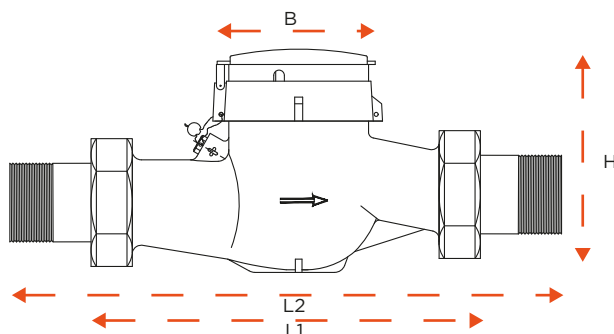
Nº	Description	Material
1	Cover	Plastic
2	Pin	Brass
3	Flange cover dial	Metalic
4	Flat seal	Plastic
5	Crystalline	Metraquilate
6	O-ring	Silicone
7	Dial	Assembly
8	Magnetic Gear	Compound
9	Magnetic ring	Iron
10	Magnetic ring	Iron
11	Dipper	Plastic
12	Flat seal	Rubber
13	Turbine	Compound
14	Distributor	Plastic
15	Filter distributor	Plastic
16	Filter joint	Silicone
17	Body	Metalic
18	Screw adjustment	Nylon
19	Washer	Nylon
20	Plug	Brass





## Dimensions

Calibre		L1	L2	B	H	Weight with fittings	Weight without fittings	Threaded fittings
mm	Pulg.	mm			Kg			
15	1/2"	165	258	94	110	1,27	1,13	G 3/4" BSP
20	3/4"	195	286	94	125	1,44	1,24	G 1" BSP
25	1"	260	366	100	137	2,5	2,13	G 1-1/4" BSP
32	1-1/4"	260	381	100	135	3,19	2,58	G 1-1/2" BSP
40	1-1/2"	300	428	125	176	5,82	5,00	G 2" BSP
50	2"	300	439	123	174	7,56	5,81	G 2-1/2" BSP



## Packing

Calibre	UNITS PER BOX	BOX DIMENSIONS (CM)			GROSS WEIGHT
		Length	Width	High	KG
DN 15	10	52	18,5	28	13,84
DN 20	10	53	22,5	28	15,68
DN 25	10	56	28	29	26,88
DN 32	10	56	28	29	34,10
DN 40	2	32,1	27	19	12,128
DN 50	2	32,1	27	19	15,56



## Working conditions

Room temperature	Maximum pressure
0.1 °C ~ 40 °C	≤ 16 bar



## Maximum permissible error

Range	Error (%)
$Q_1 \leq Q < Q_2$	± 5%
$Q_2 \leq Q \leq Q_4$	± 2%

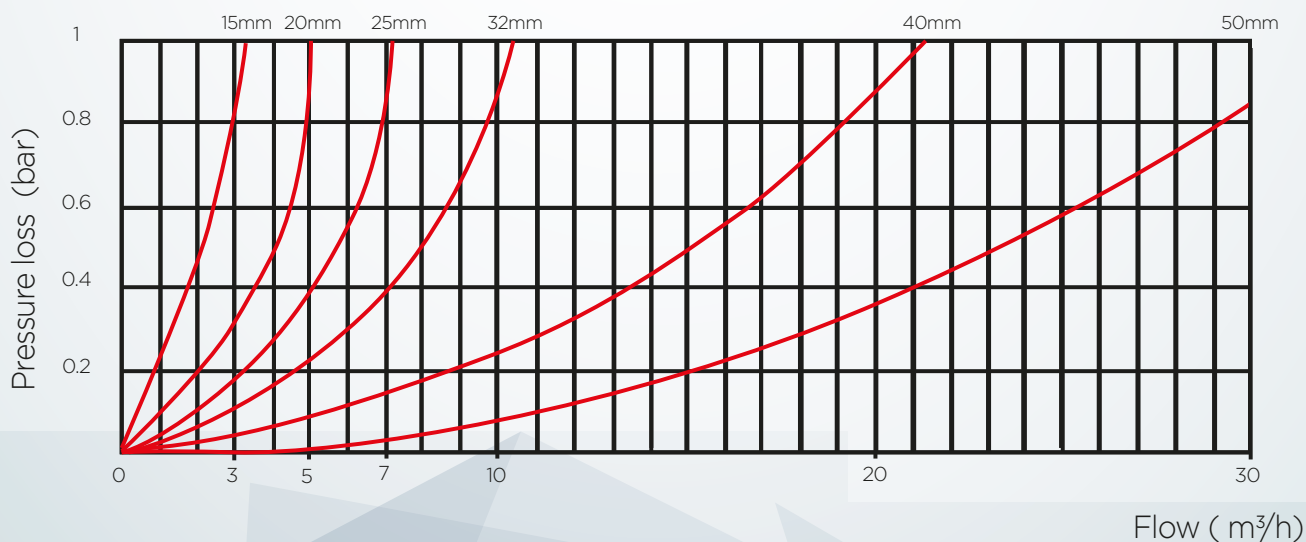


## Technical specifications

Calibre		Q <sub>4</sub>	Q <sub>3</sub>	Q <sub>2</sub>	Q <sub>1</sub>	Minimum reading	Maximum reading	Ratio
mm	Inch	m <sup>3</sup> /h			l	m <sup>3</sup>		
15	1/2"	3,12	2,50	0,05	0,031	0,05	99.999	R80H
				0,20	0,125			R20V
20	3/4"	5,00	4,00	0,08	0,05	0,05	99.999	R80H
				0,32	0,20			R20V
25	1"	7,87	6,30	0,126	0,078	0,05	99.999	R80H
				0,504	0,315			R20V
32	1-1/4"	12,50	10,00	0,20	0,125	0,05	99.999	R80H
				0,80	0,50			R20V
40	1-1/2"	20,00	16,00	0,32	0,20	0,05	99.999	R80H
				1,28	0,80			R20V
50	2"	31,25	25,00	0,50	0,312	0,05	99.999	R80H
				2,00	1,25			R20V

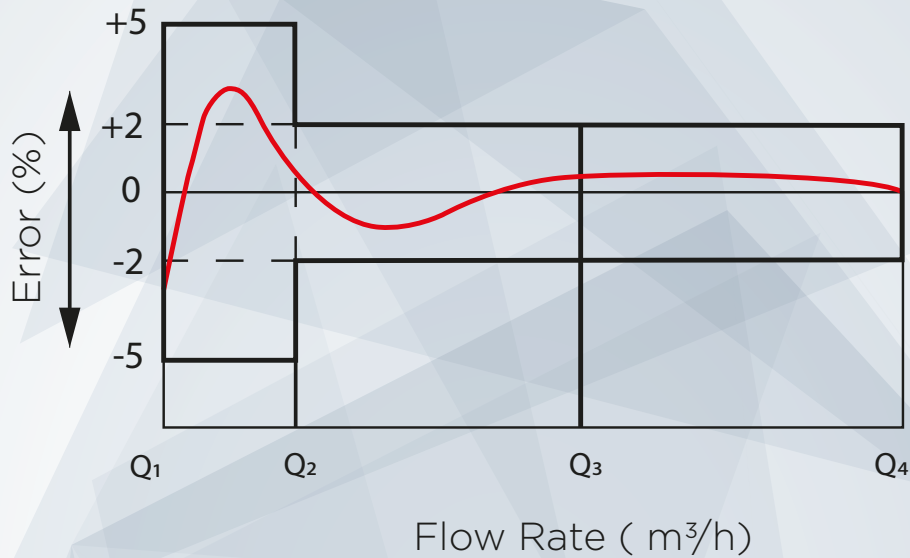


## Pressure loss curve





## Flow error curve



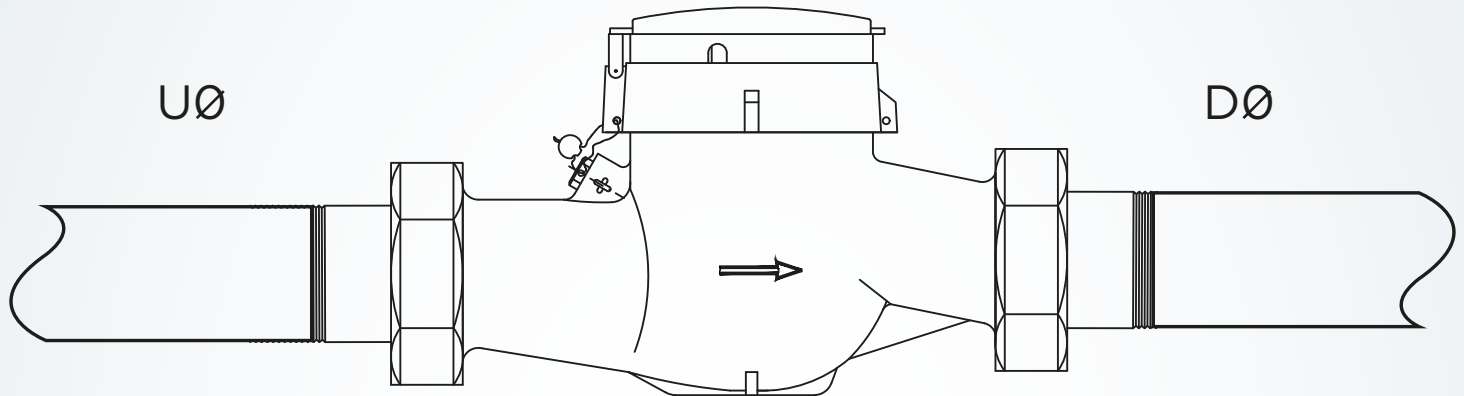
## Pulse emisor

Type	Reed sensor
Pulse value	Standar 1 pulse = 100 l
Min. amperage to close contact	0 mA
Max. amperage to close contact	100 mA
Closed contact impedance	< 1 Ω
Open contact resistance	~∞
Max. supportable voltage	24V
Max. stabilization time	100us
Close contact lapsed time	40% of cycle





## Diagrams for installing



Straight sections are not necessary at the Hidrojet input or output U0-D0.

### Installation instructions

- Place the meter so that the arrow matches the direction of the water flow.
- The meters must always be full of water when operating, minimum pressure 0,3 bar, and installed below the slope of the rest of the pipeline. This stops air pockets from forming inside.
- If there is air in the pipeline, suckers must be fitted to avoid incorrect readings. If the water in the pipeline contains large suspended particles, an initial screening filter should be installed.
- Fit a valve upstream from the meter to facilitate maintenance or repair.
- A new pipeline should be drained before fitting a meter to eliminate particles.
- Do not force the meter during assembly; avoid tension or torsional stress, especially to the threaded connections..
- The meter connection can be installed on horizontal or vertical pipe.



WHEN WATER COUNTS

CUANDO EL AGUA ES LO QUE CUENTA

[www.hidroconta.com](http://www.hidroconta.com)

Ctra. Sta Catalina, 60  
Murcia (30012)  
España

T: +34 968 26 77 88  
F: +34 968 34 11 49

[hidroconta@hidroconta.com](mailto:hidroconta@hidroconta.com)

Hidroconta disclaims responsibility for errors in the information contained in this document, which may be modified without notice. All rights reserved. © Copyright. 2020 HIDROCONTA, S.A.U.

