



FUEL MANAGEMENT SYSTEMS



DISPENSERS



KITS



PUMPS



METERS



NOZZLES

# K600 B/3

## FEATURES

- BETTER VISIBILITY
- ADJUSTABLE FLANGES
- ROTATING DISPLAY
- STANDARD BATTERY
- PULSE-OUT VERSION AVAILABLE
- IP66

The PIUSI K600 B/3 is an oval gear meter suitable for monitoring the delivery of diesel, biodiesel and antifreeze. This special version includes a large 80mm built-in digital display that can be rotated to suit every application. Among its features: 5-digit partial total and resettable total. Pulser version available.

### PERFORMANCE

UP TO  
**100 L/MIN**

FLOW RATE

**30 BAR**  
MAX

OPERATING PRESSURE

**± 0,5%**

ACCURACY

**0,2%**

REPEATABILITY



K600 B/3 METER



K600 B/3 WITH PULSE-OUT

### PACKAGING

CODE	WEIGHT		PACKAGING		
	KG	LBS	MM	INCH	PCS/BOX
<b>METER</b>					
FOO491000	2	4,4	200X120X140	7,9X4,7X5,5	1
<b>PULSER</b>					
FOO492000	2	4,4	200X120X140	7,9X4,7X5,5	1



FILTRATION



TANK MONITORING



HOSE REEL



ACCESSORIES



MERCHANDISE



AIR



ANTIFREEZE



AdBlue®



BIODIESEL



DIESEL



FOOD



GASOLINE



GREASE



KEROSENE



OIL



WATER

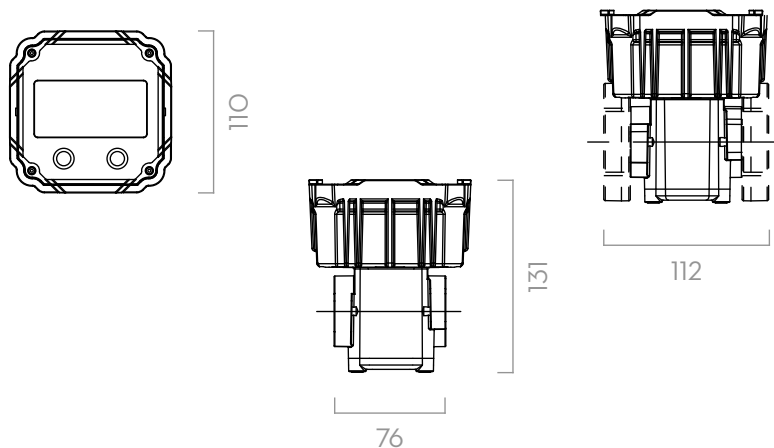


WINDSCREEN

## CHART



## DIMENSIONS



Dimensions expressed in millimeters

## IN THE BOX

- K600 B/3 METER
- FLANGES
- INSTRUCTION MANUAL

## DETAILS



## MATERIALS

- BODY: ALUMINIUM
- GEARS: TECHNOPOLYMER

## TECHNICAL DATA

CODE	DESCRIPTION	FLUIDS TYPE	FLOW RATE		PRESSURE		BATTERY N°2 X 1,5V (INCLUDED)	FLANGE	INLET / OUTLET	INLET FILTER
			L/MIN	GPM	BAR	PSI				
<b>METER</b> FOO491000	K600 B/3	<b>D</b>	10 - 100	2,64 - 26,4	30	426	YES	YES	1" BSP	YES
<b>PULSER</b> FOO492000	K600 B/3 WITH PULSE-OUT	<b>D</b>	10 - 100	2,64 - 26,4	30	426	YES	YES	1" BSP	YES

UPON REQUEST AVAILABLE IN NPTF VERSION AND DISPLAY IN GALLON/QUARTER OR PRINT

# K600 B/3