

# Flush diaphragm pressure gauge For sanitary applications Model PG43SA-C, compact design

WIKA data sheet PM 04.15



for further approvals  
see page 10

## Applications

- Process industry: Biotechnology and pharmaceutical industries, cosmetics manufacturing, food industry, particularly tank and vessel construction
- For gaseous and liquid aggressive media that are highly viscous or crystallising, also in aggressive ambience

## Special features

- Compact, easily cleanable design (patent applied for, among others European Patent No. DE 102008042455)
- Dry measuring cell, no transmission fluid
- Flush, welded diaphragm
- Suitable for SIP and CIP, autoclavable
- Large selection of process connections



Flush diaphragm pressure gauge  
model PG43SA-C, NS 63

## Description

**Nominal size in mm**  
40, 63

**Accuracy class**  
2.5 %

**Scale ranges**

-1 ... 2 bar	0 ... 3 bar
-1 ... 4 bar	0 ... 5 bar
-1 ... 9 bar	0 ... 10 bar

**Pressure limitation**

Steady: 3/4 x full scale value  
Fluctuating: 2/3 x full scale value

### Overpressure safety

5 x full scale value,  
however max. nominal pressure (see PN in the tables from  
page 3)

### Permissible temperature

Ambient: -20 ... +60 °C  
Medium: +150 °C maximum  
When autoclaving: max. 134 °C, 20 minutes

### Temperature effect

When the temperature of the measuring system deviates  
from the reference temperature (+20 °C):  
max. ±2 %/10 K of full scale value  
(typically ±1 %/10 K of full scale value)

### Ingress protection

IP 68 per EN 60529 / IEC 60529

## Standard version

### Process connection

Stainless steel 1.4435 (316L), centre back mount

- Clamp connection
- Clamp connection per DIN 32676
- Clamp connection per ISO 2852

For exact designs and nominal widths see tables on page 3

### Pressure element

Diaphragm element, NiCr-alloy 2.4668 (Inconel 718)

Surface roughness  $R_a \leq 0.38 \mu\text{m}$  (except for weld seam)

### Movement

Copper alloy

### Dial

Aluminium, white, black lettering

### Pointer

Aluminium, black

### Case

Stainless steel 1.4435 (316L),

Surface roughness  $R_a \leq 0.8 \mu\text{m}$

### Window

Polysulfone, high temperature resistant

## Options

### ■ Other process connection, such as:

- Threaded connection per DIN 11851 with grooved union nut or threaded coupling
- VARIVENT®
- NEUMO BioControl®
- Aseptic threaded pipe connection per DIN 11864-1 form A with grooved union nut or threaded coupling
- Aseptic flange connection per DIN 11864-2 form A with flange with groove or flange with notch
- Aseptic clamp connection per DIN 11864-3 form A with clamp with groove or clamp with notch
- Threaded connection with grooved union nut or threaded coupling <sup>1)</sup>
- IDF-threaded connection with grooved union nut or threaded coupling <sup>1)</sup>
- APV-RJT-threaded connection with grooved union nut or threaded coupling <sup>1)</sup>
- others on request

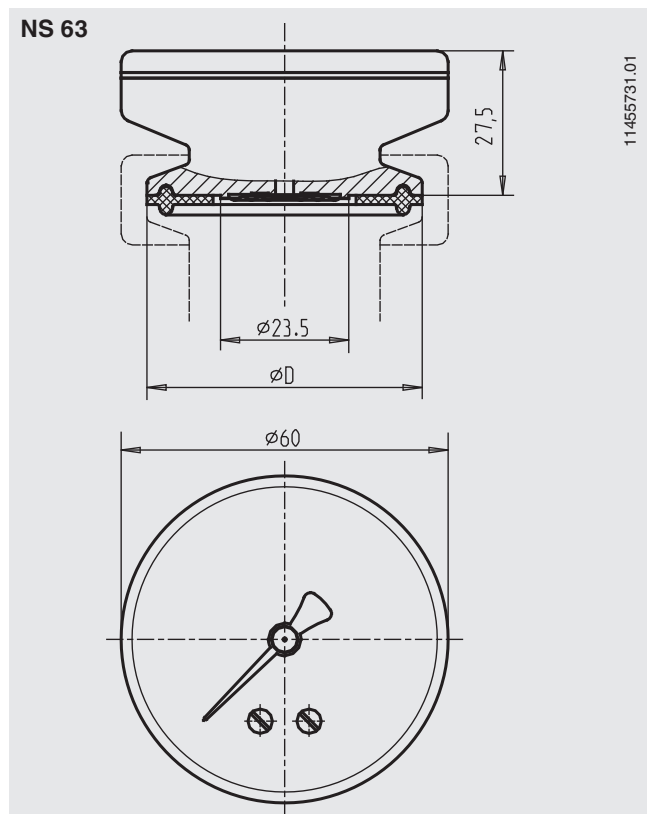
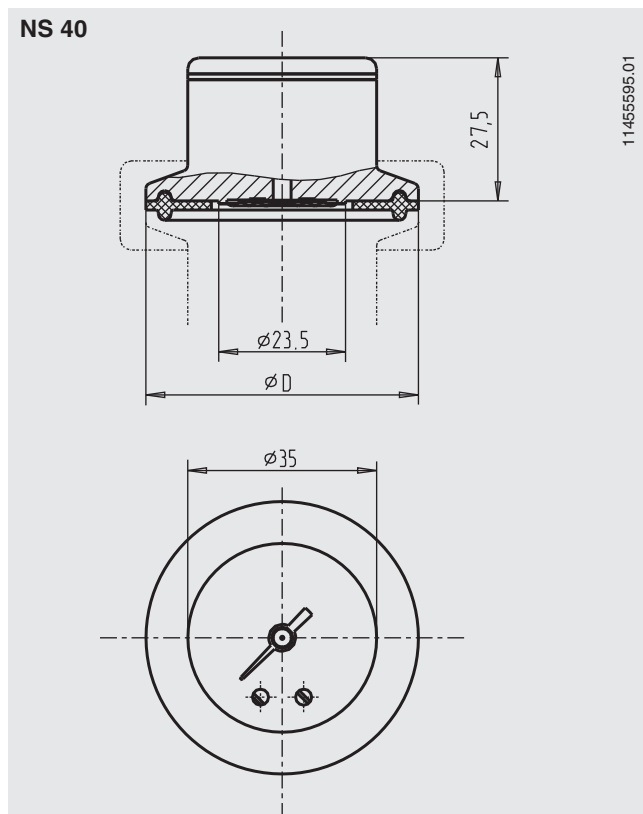
### ■ Instrument autoclaved and packed under sterile conditions

### ■ Wetted parts electropolished

<sup>1)</sup> 3-A certification and EHEDG not for instruments with process connection SMS, IDF and APV-RJT

## Dimensions in mm

### Standard version: clamp connection



## Dimensions in mm

Type of process connection: Clamp connection per  
DIN 32676

Pipe standard: Pipes per DIN 11866 row B or ISO 1127 row 1

DN	For pipe Outer Ø x wall thickness	PN 1)	Dimensions in mm Ø D
<b>26.9</b> (DN 20)	26.9 x 1.6	40	50.5
<b>33.7</b> (DN 25)	33.7 x 2	40	50.5
<b>42.4</b> (DN 32)	42.4 x 2	40	64
<b>48.3</b> (DN 40)	48.3 x 2	40	64
<b>60.3</b> (DN 50)	60.3 x 2	40	77.5
<b>76.1</b> (DN 65)	76.1 x 2	25	91

1) For maximum pressure range consider pressure rating of clamp.

Type of process connection: Clamp connection

Pipe standard: Pipes per BS4825 part 3 and O.D.-tube

DN	For pipe Outer Ø x wall thickness	PN 1)	Dimensions in mm Ø D
<b>1 ½"</b>	38.1 x 1.6	40	50.5
<b>2"</b>	50.8 x 1.6	40	64
<b>2 ½"</b>	63.5 x 1.6	25	77.5
<b>3"</b>	76.2 x 1.6	25	91

1) For maximum pressure range consider pressure rating of clamp.

Type of process connection: Clamp connection per  
DIN 32676

Pipe standard: Pipes per DIN 11866 row A or  
DIN 11850 row 2

DN	For pipe Outer Ø x wall thickness	PN 1)	Dimensions in mm Ø D
<b>25</b>	28 x 1	40	50.5
<b>32</b>	34 x 1	40	50.5
<b>40</b>	40 x 1	40	50.5
<b>50</b>	52 x 1	40	64
<b>65</b>	70 x 2	25	91

1) For maximum pressure range consider pressure rating of clamp.

Type of process connection: Clamp connection per  
DIN 32676

Pipe standard: Pipes per DIN 11866 row C or ASME BPE

DN	For pipe Outer Ø x wall thickness	PN 1)	Dimensions in mm Ø D
<b>1 ½"</b>	38.1 x 1.65	40	50.5
<b>2"</b>	50.8 x 1.65	40	64
<b>2 ½"</b>	63.5 x 1.65	25	77.5
<b>3"</b>	76.2 x 1.65	25	91

1) For maximum pressure range consider pressure rating of clamp.

Type of process connection: Clamp connection per  
ISO 2852

Pipe standard: Pipes per ISO 2037 and BS 4825 part 1

DN	For pipe Outer Ø x wall thickness	PN 1)	Dimensions in mm Ø D
<b>28</b>	28 x 1.2	40	50.5
<b>33.7</b>	33.7 x 1.2	25	50.5
<b>38</b>	38 x 1.2	25	50.5
<b>40</b>	40 x 1.2	25	64
<b>51</b>	51 x 1.2	25	64
<b>63.5</b>	63.5 x 1.6	25	77.5
<b>70</b>	70 x 1.6	25	91
<b>76.1</b>	76.1 x 1.6	25	91

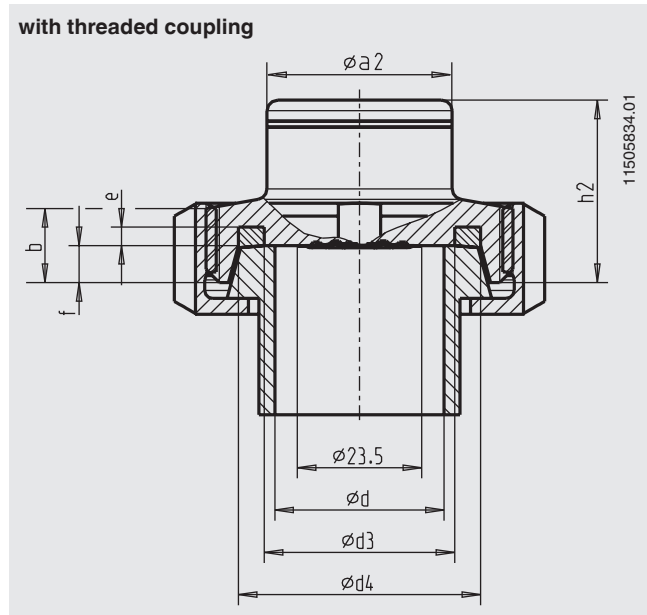
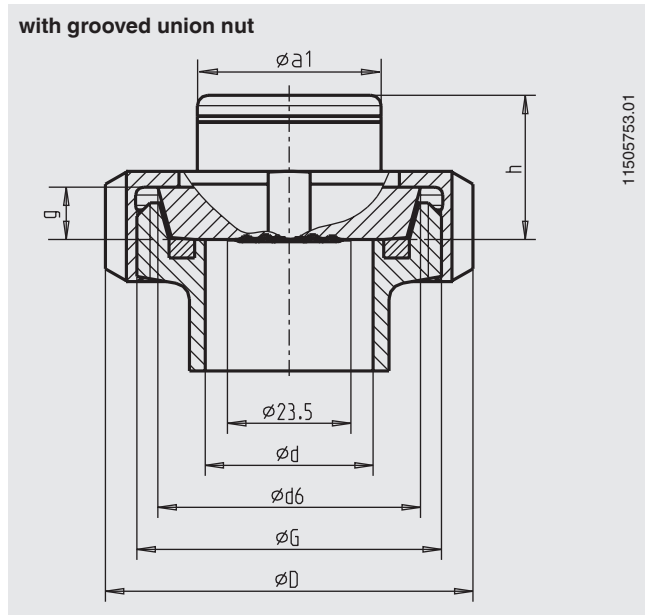
EHEDG conformity only in combination with a Kalrez®  
stainless steel gasket from Dupont de Nemours or with  
a T-ring seal from Combifit International B.V.

1) For maximum pressure range consider pressure rating of clamp.

## Option

Type of process connection: Threaded connection per DIN 11851

Pipe standard: Pipes per DIN 11850 row 2



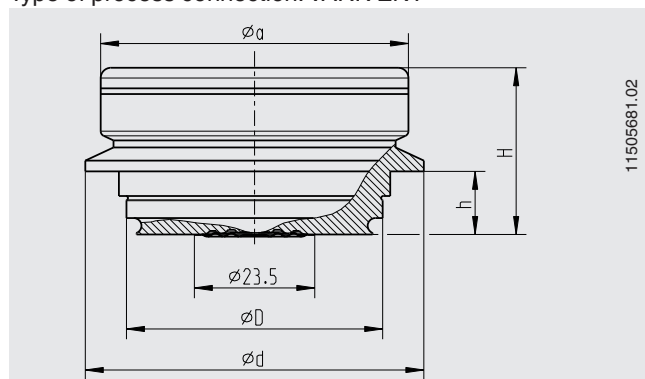
DN	For pipe Outer $\varnothing$ x wall thickness	PN	Dimensions in mm													
			G	b	d	D	d3	d4	d6	e	f	g	h	h2	a1	a2
25	29 x 1.5	40	Rd 52 x 1/6	14	26	63	30	39.8	44	3.5	7	10	27.5	34.5	35	35
32	35 x 1.5	40	Rd 58 x 1/6	14	32	70	36	45.8	50	3.5	7	10	27.5	34.5	35	35
40	41 x 1.5	40	Rd 65 x 1/6	14	38	78	42	51.8	56	3.5	7	10	27.5	34.5	35	35
50	53 x 1.5	25	Rd 78 x 1/6	14	50	92	54	63.8	68.5	3.5	7	11	27.5	34.5	35	60
80	85 x 2	25	Rd 110 x 1/4	20	20	127	85	94.8	100	3.5	8	12	27.5	35.5	60	60

EHDG conformity only in combination with ASEPTO-STAR k-flex upgrade, sealing from Kieselmann GmbH.

3-A conformity only in combination with profile sealing from SKS Komponenten BV or Kieselmann GmbH.

## Option

Type of process connection: VARIVENT®



Access unit connection	PN 1)	Dimensions in mm				
		D	d	H	h	a
Form F	25	50	66	32.5	12.3	60
Form N	25	68	84	32.5	12.3	60

1) Pay attention to the pressure rating of the VARINLINE® access unit.

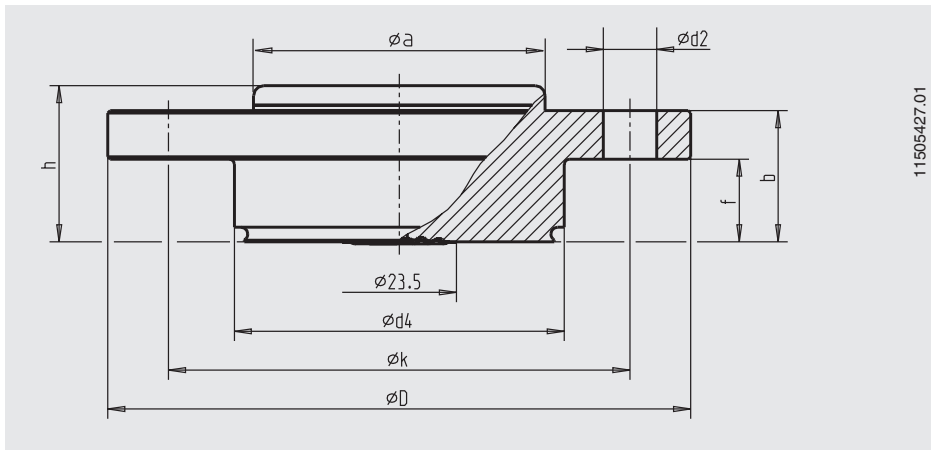
Note:

Suitable for installation into the VARINLINE® access unit from GEA Tuchenhagen. EHDG conformity only in combination with EPDM O-ring from GEA Tuchenhagen GmbH.

VARIVENT® and VARINLINE® are registered trademarks of the company GEA Tuchenhagen GmbH.

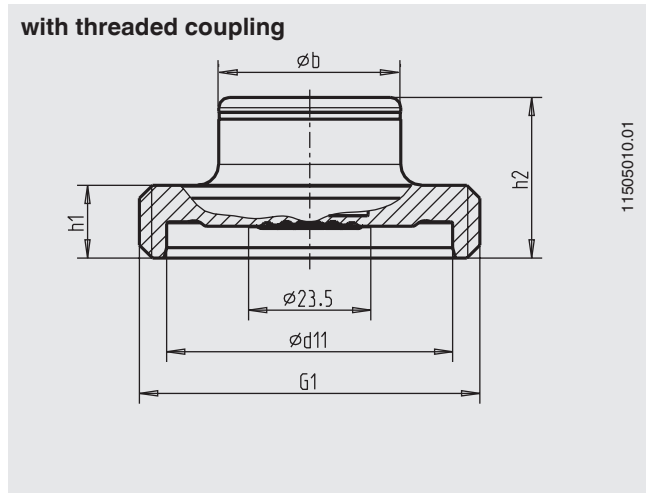
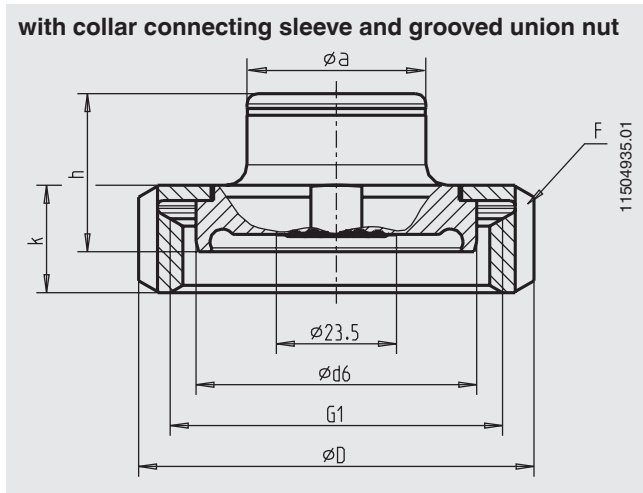
## Option

Type of process connection: NEUMO BioControl®



BioControl® connection	PN	Dimensions in mm							
		d2	d4	D	f	b	k	h	a
Size 25	25	4 x Ø 7	30.5	64	11	20	50	27.5	35
Size 50	16	4 x Ø 9	50	90	17	27	70	31	35
Size 65	16	4 x Ø 11	68	120	17	27	95	31	60
Size 80	16	4 x Ø 11	87.5	140	25	37	115	41	60

**Option: Aseptic threaded pipe connection DIN 11864-1 form A**



Type of process connection: Aseptic threaded pipe connection per DIN 11864-1 form A

Pipe standard: Pipes per DIN 11866 row A or DIN 11850 row 2

DN	For pipe Outer $\varnothing$ x wall thickness	PN 1)	Dimensions in mm			h1	h2	h	F	D	k	a	b	Aseptic O-ring
			d6	d11	G1									
25	29 x 1.5	40	42.9	43	Rd 52 x 1/6	20	32.8	30	DN 25	63	21	35	35	28 x 3.5
32	35 x 1.5	40	48.9	49	Rd 58 x 1/6	20	33.5	31	DN 32	70	21	35	35	34 x 5
40	41 x 1.5	40	54.9	55	Rd 65 x 1/6	20	33.5	31	DN 40	78	21	35	35	40 x 5
50	53 x 1.5	25	66.9	67	Rd 78 x 1/6	20	33.5	31	DN 50	92	22	60	35	52 x 5
65	70 x 2.0	25	84.9	85	Rd 95 x 1/6	20	34.5	31	DN 65	112	25	60	60	68 x 5

Type of process connection: Aseptic threaded pipe connection per DIN 11864-1 form A

Pipe standard: Pipes per DIN 11866 row B or DIN ISO 1127 row 1

DN	For pipe Outer $\varnothing$ x wall thickness	PN 1)	Dimensions in mm			h1	h2	h	F	D	k	a	b	Aseptic O-ring
			d6	d11	G1									
26.9	26.9 x 1.6	40	42.9	43	Rd 52 x 1/6	20	32.8	30	DN 25	63	21	35	35	26 x 3.5
33.7	33.7 x 2.0	40	48.9	49	Rd 58 x 1/6	20	33.5	31	DN 32	70	21	35	35	32 x 5
42.4	42.4 x 2.0	25	54.9	55	Rd 65 x 1/6	20	33.5	31	DN 40	78	21	35	35	40.5 x 5
48.3	48.3 x 2.0	25	66.9	67	Rd 78 x 1/6	20	33.5	31	DN 50	92	22	60	35	46.5 x 5
60.3	60.3 x 2.0	25	84.9	85	Rd 95 x 1/6	20	34.5	31	DN 65	112	25	60	60	58.5 x 5
76.1	76.1 x 2.0	25	98.9	99	Rd 110 x 1/4	20	34.5	31	DN 80	127	29	60	60	73.5 x 5

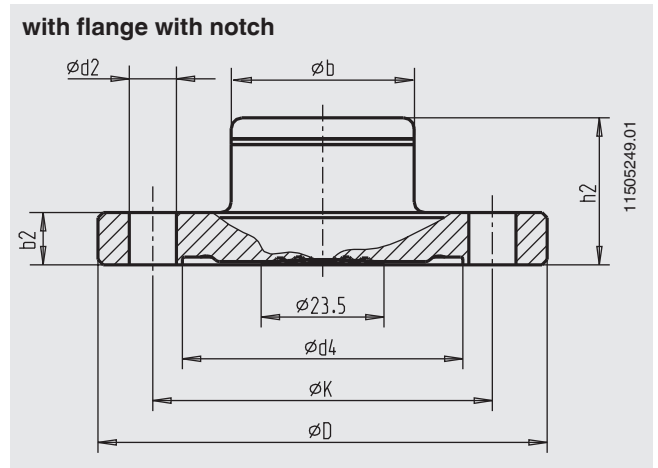
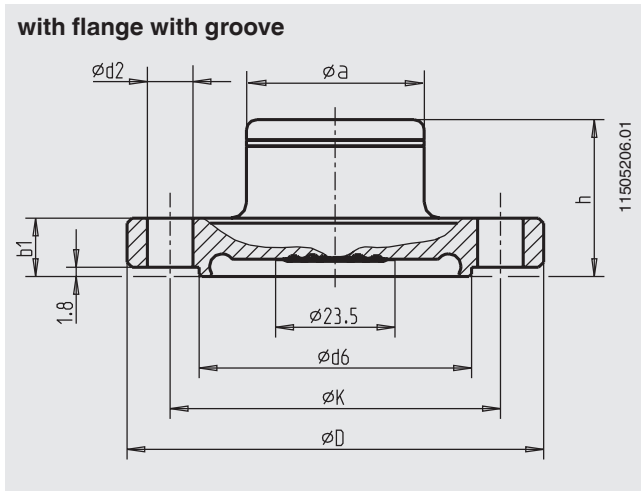
Type of process connection: Aseptic threaded pipe connection per DIN 11864-1 form A

Pipe standard: Pipes per DIN 11866 row C or ASME BPE 1997

DN	For pipe Outer $\varnothing$ x wall thickness	PN 1)	Dimensions in mm			h1	h2	h	F	D	k	a	b	Aseptic O-ring
			d6	d11	G1									
1"	25.4 x 1.65	40	42.9	43	Rd 52 x 1/6	20	32.8	30	DN 25	63	21	35	35	24 x 3.5
1 1/2"	38.1 x 1.65	40	54.9	55	Rd 58 x 1/6	20	33.5	31	DN 40	78	21	35	35	37 x 5
2"	50.8 x 1.65	25	66.9	67	Rd 65 x 1/6	20	33.5	31	DN 50	92	22	60	35	50 x 5
2 1/2"	63.5 x 1.65	25	84.9	85	Rd 78 x 1/6	20	33.5	31	DN 65	112	25	60	60	62 x 5
3"	76.2 x 1.65	25	98.9	99	Rd 95 x 1/6	20	34.5	31	DN 80	127	29	60	60	75 x 5

1) Permissible pressure in bar; these pressures may only be applied when using suitable sealing materials up to a temperature from -10 to +140 °C.

**Option: Aseptic flange connection DIN 11864-2 form A**



Type of process connection: Aseptic flange connection per DIN 11864-2 form A

Pipe standard: Pipes per DIN 11866 row A or DIN 11850 row 2

DN	For pipe Outer $\phi$ x wall thickness	PN 1)	Dimensions in mm					h	h2	b1	b2	d2	a	b	Aseptic O-ring
			d6	d4	K	D	K								
25	29 x 1.5	25	38.3	38.4	53	70	30	28.5	11.5	10	4 x $\phi$ 9	35	35	28 x 3.5	
32	35 x 1.5	25	47.6	47.7	59	76	31	28.1	11.5	10	4 x $\phi$ 9	35	35	34 x 5	
40	41 x 1.5	25	53.6	53.7	65	82	31	28.1	11.5	10	4 x $\phi$ 9	35	35	40 x 5	
50	53 x 1.5	16	65.6	65.7	77	94	31	28.1	11.5	10	4 x $\phi$ 9	35	35	52 x 5	
65	70 x 2.0	16	81.6	81.7	95	113	31	28.1	11.5	10	8 x $\phi$ 9	60	60	68 x 5	
80	85 x 2.0	16	97.6	97.7	112	133	31	28.1	13.5	12	8 x $\phi$ 11	60	60	83 x 5	

Type of process connection: Aseptic flange connection per DIN 11864-2 form A

Pipe standard: Pipes per DIN 11866 row B or DIN ISO 1127 row 1

DN	For pipe Outer $\phi$ x wall thickness	PN 1)	Dimensions in mm					h	h2	b1	b2	d2	a	b	Aseptic O-ring
			d6	d4	K	D	K								
26.9	26.9 x 1.6	25	36	36.1	52	69	30	28.5	11.5	10	4 x $\phi$ 9	35	35	26 x 3.5	
33.7	33.7 x 2.0	25	45.3	45.4	57	74	31	28.1	11.5	10	4 x $\phi$ 9	35	35	32 x 5	
42.4	42.4 x 2.0	16	54	54.1	65	82	31	28.1	11.5	10	4 x $\phi$ 9	35	35	40.5 x 5	
48.3	48.3 x 2.0	16	59.9	60	71	88	31	28.1	11.5	10	4 x $\phi$ 9	35	35	46.5 x 5	
60.3	60.3 x 2.0	16	71.9	72	85	103	31	28.1	11.5	10	8 x $\phi$ 9	60	60	58.5 x 5	
76.1	76.1 x 2.0	16	88.1	88.1	104	125	31	28.1	13.5	12	8 x $\phi$ 11	60	60	73.5 x 5	

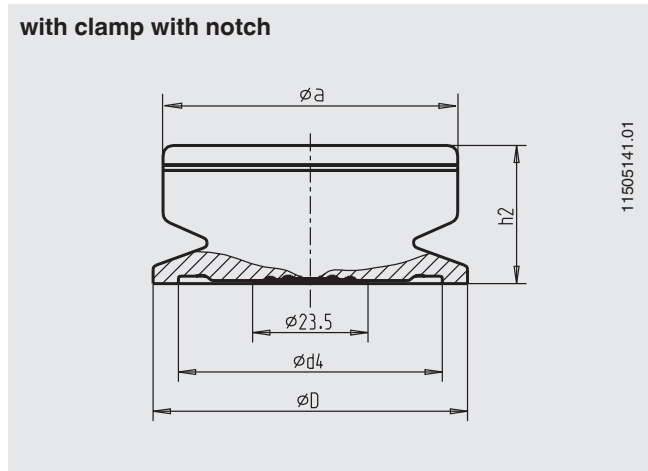
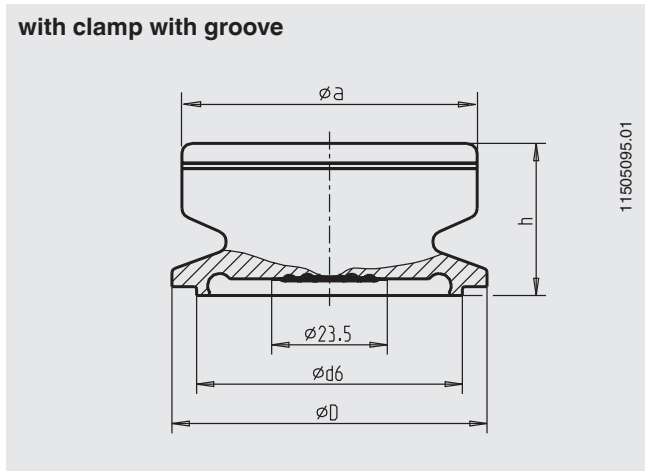
Type of process connection: Aseptic flange connection per DIN 11864-2 form A

Pipe standard: Pipes per DIN 11866 row C or ASME BPE 1997

DN	For pipe Outer $\phi$ x wall thickness	PN 1)	Dimensions in mm					h	h2	b1	b2	d2	a	b	Aseptic O-ring
			d6	d4	K	D	K								
1 1/2"	38.1 x 1.65	25	50.4	50.4	62	79	31	28.1	11.5	10	4 x $\phi$ 9	60	35	37 x 5	
2"	50.8 x 1.65	16	63.4	63.5	75	92	31	28.1	11.5	10	4 x $\phi$ 9	60	35	50 x 5	
2 1/2"	63.5 x 1.65	16	75.8	75.9	89	107	31	28.1	11.5	10	4 x $\phi$ 9	60	60	62 x 5	
3"	76.2 x 1.65	16	89.5	89.6	104	125	31	28.1	13.5	12	8 x $\phi$ 11	60	60	75 x 5	

1) Permissible pressure in bar; these pressures may only be applied when using suitable sealing materials up to a temperature from -10 to +140 °C.

**Option: Aseptic clamp connection DIN 11864-3 form A**



Type of process connection: Aseptic clamp connection per DIN 11864-3 form A

Pipe standard: Pipes per DIN 11866 row A or DIN 11850 row 2

DN	For pipe Outer $\varnothing$ x wall thickness	PN 1)	Dimensions in mm			h	h2	a	Aseptic O-ring
			d6	d4	D				
25	29 x 1.5	40	38.3	38.4	50.5	30	28.3	60	28 x 3.5
32	35 x 1.5	40	47.6	47.7	50.5	31	28	60	34 x 5
40	41 x 1.5	40	53.6	53.7	64	31	28	60	40 x 5
50	53 x 1.5	25	65.6	65.7	77.5	31	28	60	52 x 5
65	70 x 2.0	25	81.6	81.7	91	31	28	60	68 x 5
80	85 x 2.0	25	97.6	97.7	106	31	28	60	83 x 5

Type of process connection: Aseptic clamp connection per DIN 11864-3 form A

Pipe standard: Pipes per DIN 11866 row B or DIN ISO 1127 row 1

DN	For pipe Outer $\varnothing$ x wall thickness	PN 1)	Dimensions in mm			h	h2	a	Aseptic O-ring
			d6	d4	D				
26.9	26.9 x 1.6	40	36	36.1	50.5	30	28.3	60	26 x 3.5
33.7	33.7 x 2.0	40	45.3	45.3	50.5	31	28	60	32 x 5
42.4	42.4 x 2.0	25	54	54.1	64	31	28	60	40.5 x 5
48.3	48.3 x 2.0	25	59.9	60	64	31	28	60	46.5 x 5
60.3	60.3 x 2.0	25	71.9	72	91	31	28	60	58.5 x 5
76.1	76.1 x 2.0	16	88.1	88.2	106	31	28	60	73.5 x 5

Type of process connection: Aseptic clamp connection per DIN 11864-3 form A

Pipe standard: Pipes per DIN 11866 row C or ASME BPE 1997

DN	For pipe Outer $\varnothing$ x wall thickness	PN 1)	Dimensions in mm			h	h2	a	Aseptic O-ring
			d6	d4	D				
1"	25.4 x 1.65	40	34.3	34.4	50.5	30	28.3	60	24 x 3.5
1 1/2"	38.1 x 1.65	40	50.4	50.5	64	31	28	60	37 x 5
2"	50.8 x 1.65	25	63.4	63.5	77.5	31	28	60	50 x 5
2 1/2"	63.5 x 1.65	25	75.8	75.9	91	31	28	60	62 x 5
3"	76.2 x 1.65	16	89.5	89.6	106	31	28	60	75 x 5

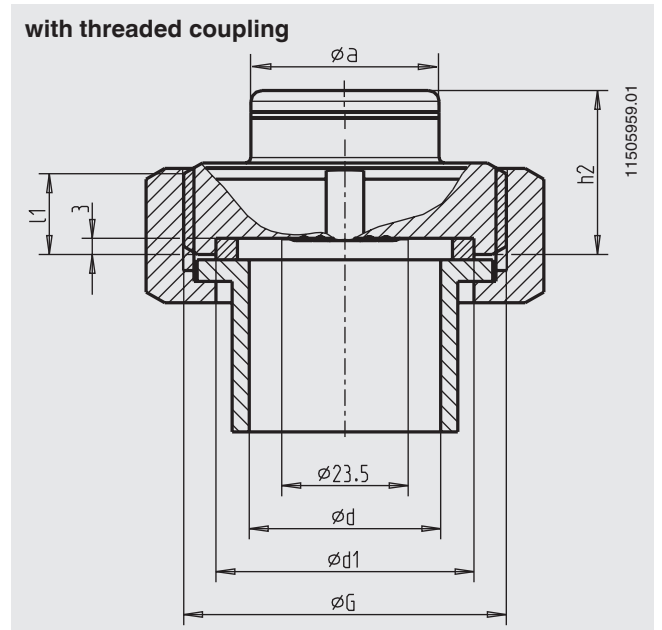
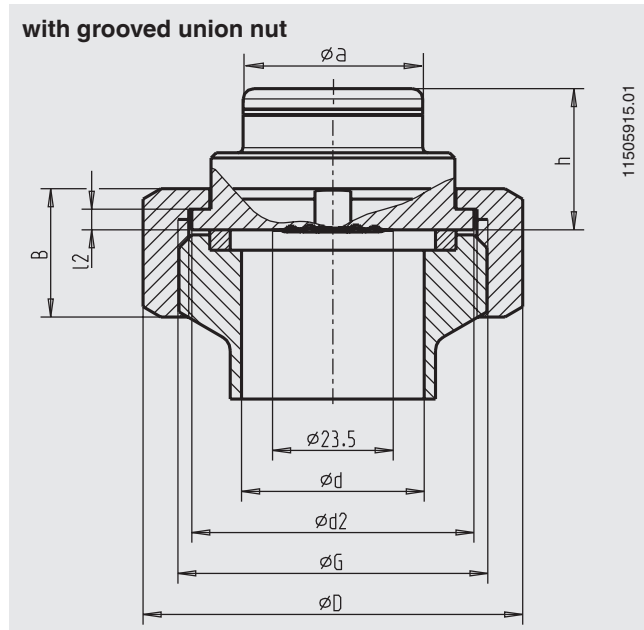
1) Permissible pressure in bar; these pressures may only be applied when using suitable sealing materials up to a temperature from -10 to +140 °C.



### Option

Type of process connection: Threaded connection per SMS standard 1)

Pipe standard: Pipes per ISO 1127 row 2 or ISO 2037/1992

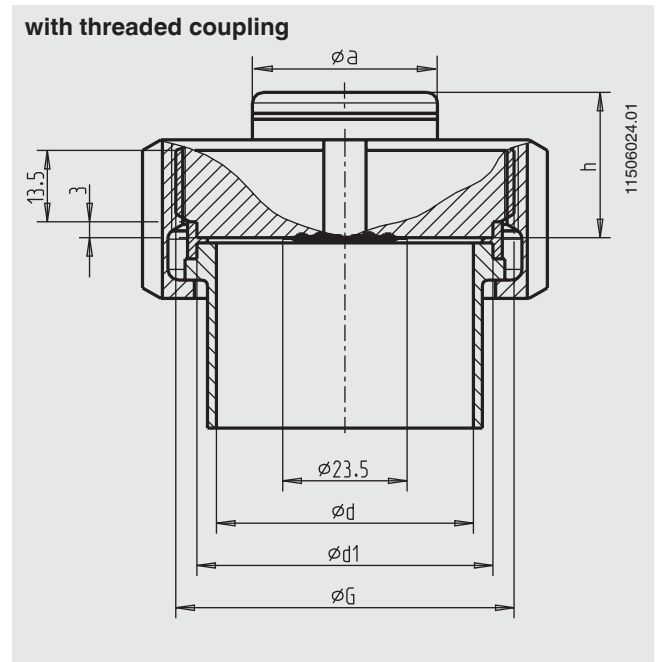
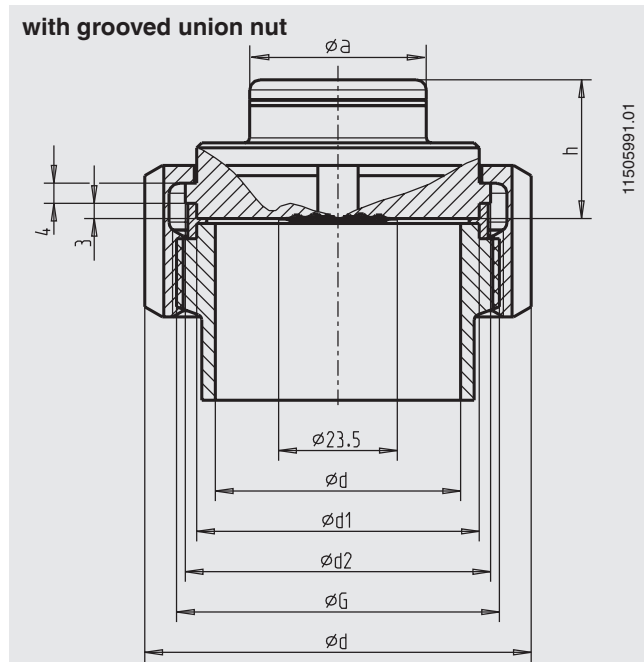


DN	For pipe Outer $\phi$ x wall thickness	PN G	Dimensions in mm										
			d	d1	d2	D	B	l1	l2	a	h	h2	
1 1/2"	38 x 1.2	40	Rd 60 x 1/6	35.6	48	55	74	25	15	4	35	27.5	30.5
2"	51 x 1.2	40	Rd 70 x 1/4	48.6	61	65	84	26	15	4	60	27.5	30.5

### Option

Type of process connection: Threaded connection per IDF standard 1)

Pipe standard: Pipes per ISO 1127 row 2 or ISO 2037/1992



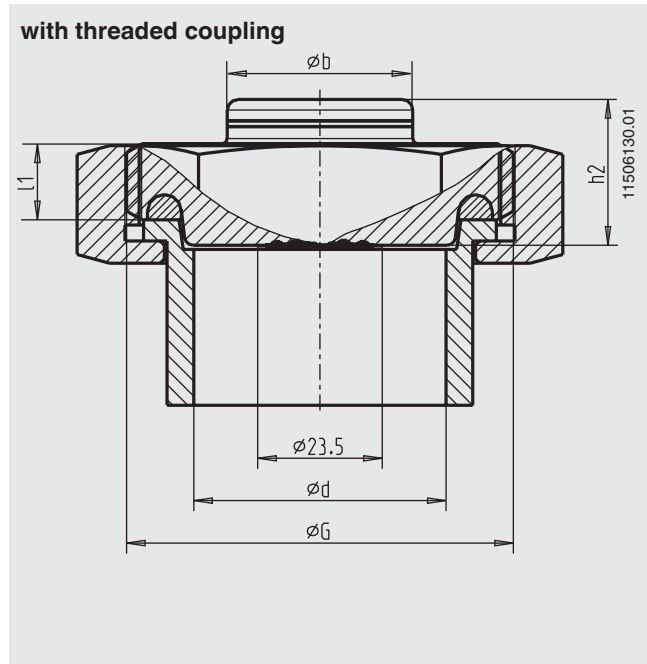
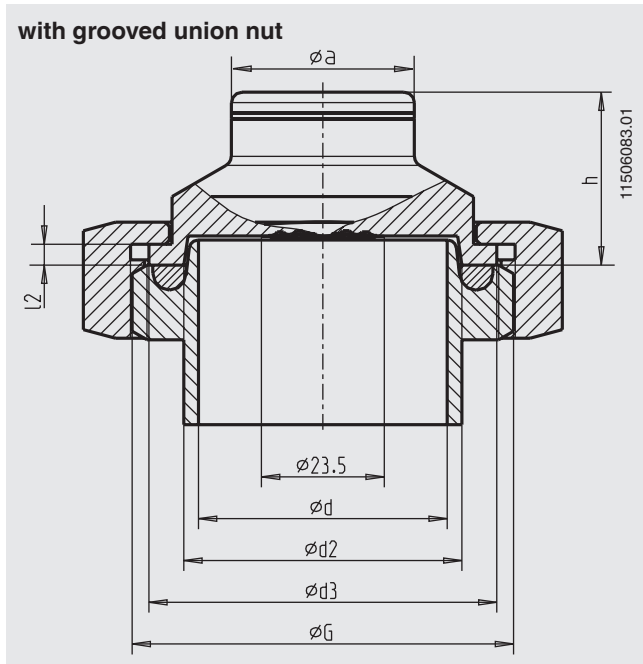
DN	For pipe Outer $\phi$ x wall thickness	PN G	Dimensions in mm						
			d	D	d1	d2	a	h	
1 1/2"	38.6 x 1.5	40	1 1/2" IDF	35.6	64	42.7	47	35	27.5
2"	51.6 x 1.5	40	2" IDF	48.6	79	56.2	60.5	35	27.5

1) 3-A certification and EHEDG not for instruments with process connection SMS, IDF and APV-RJT

## Option

Type of process connection: Threaded connection per APV-RJT-standard <sup>1)</sup>

Pipe standard: Pipes per BS 4825 part 1 or O.D.-tube



DN	For pipe Outer $\varnothing$ x wall thickness	PN	Dimensions in mm										
		G	d	d2	d3	l1	l2	a	b	h	h2		
1 1/2"	38.1 x 1.6	40	2 5/8 x 8"	34.9	40.5	54	14.3	2.4 ... 4	35	35	33	27.5	
2"	50.8 x 1.6	40	2 7/8 x 6"	47.6	53.2	66.7	14.3	2.4 ... 4	35	60	33	27.5	

1) 3-A certification and EHEDG not for instruments with process connection SMS, IDF and APV-RJT

## Approvals

- EHEDG, food, European Community
- 3-A, food, USA
- CRN, safety (e.g. electr. safety, overpressure, ...), Canada

## Certificates <sup>1)</sup>

- 2.2 test report per EN 10204 (e.g. state-of-the-art manufacturing, material proof, indication accuracy)
- 3.1 inspection certificate per EN 10204 (e.g. material proof for wetted metallic parts, indication accuracy)

1) Option

Approvals and certificates, see website

## Ordering information

Model / Nominal size / Scale range / Process connection (type of process connection, pipe standard, size) / Options

© 2008 WIKA Alexander Wiegand SE & Co. KG, all rights reserved.  
The specifications given in this document represent the state of engineering at the time of publishing.  
We reserve the right to make modifications to the specifications and materials.



**WIKAL Alexander Wiegand SE & Co. KG**  
Alexander-Wiegand-Straße 30  
63911 Klingenberg/Germany  
Tel. +49 9372 132-0  
Fax +49 9372 132-406  
info@wika.de  
www.wika.de