

Capsule pressure gauge Model 611.10, standard version Model 631.10, stainless steel version

WIKA data sheet PM 06.01



Applications

- Pressure gauge for use in a protected environment
- Medical, vacuum, environmental, laboratory technology, for contents measurement and filter monitoring
- For gaseous, dry and non-aggressive media
- Model 631.10 also for aggressive media

Special features

- Zero adjustment in front
- Special connection location on request
- Low scale ranges from 0 ... 25 mbar



Capsule pressure gauge, model 611.10

Description

Design

EN 837-3

Nominal size in mm

50, 63

Accuracy class

1.6

Scale ranges

NS 50: 0 ... 60 mbar to 0 ... 600 mbar

NS 63: 0 ... 25 mbar to 0 ... 600 mbar

or all other equivalent vacuum or combined pressure and vacuum ranges

Pressure limitation

Steady: Full scale value

Fluctuating: 0.9 x full scale value

Permissible temperature

Ambient: -20 ... +60 °C

Medium: +100 °C maximum

Temperature effect

When the temperature of the measuring system deviates from the reference temperature (+20 °C):
max. ± 0.6 %/10 K of full scale value

Ingress protection

IP 32 per EN 60529 / IEC 529

Standard version

Process connection

Model 611.10: Copper alloy

Model 631.10: Stainless steel

Lower mount (LM) or back mount (BM)

(NS 50: Only back mount)

G ¼ B (male), 14 mm flats

Pressure element

Model 611.10: Copper alloy

Model 631.10: Stainless steel

Sealing

NBR

Movement

Copper alloy

Zero adjustment

At the front

Dial

Aluminium, white, black lettering

Pointer

Aluminium, black

Case

Steel, black

Window

Clear non-splintering plastic, domed, snap-fitted in case

Options (NS 63)

- Other process connection
- Sealings (model 910.17, see data sheet AC 09.08)
- Stainless steel case
- Overpressure and vacuum safety with
scale ranges < 40 mbar: 3 x full scale value
scale ranges ≥ 40 mbar: 10 x full scale value
- Slip-on bezel ¹⁾
- Panel or surface mounting flange ¹⁾
- Triangular bezel with clamp ¹⁾

1) also for NS 50

Approvals

- **GOST**, metrology/measurement technology, Russia
- **GOST-R**, import certificate, Russia

Certificates ¹⁾

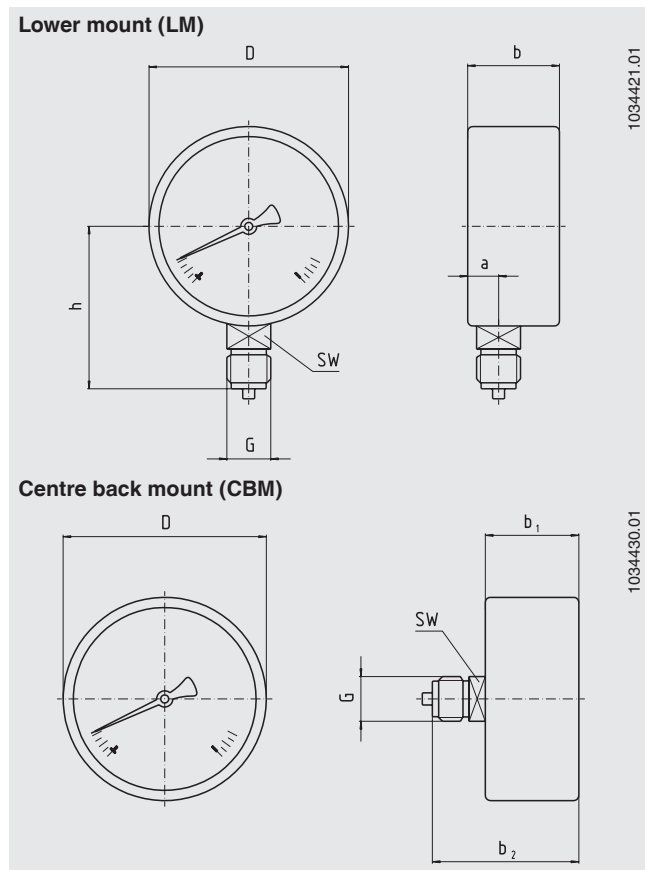
- 2.2 test report per EN 10204 (e.g. state-of-the-art manufacturing, material proof, indication accuracy)
- 3.1 inspection certificate per EN 10204 (e.g. material proof for wetted metallic parts, indication accuracy)

1) Option

Approvals and certificates, see website

Dimensions in mm

Standard version



1034421.01

1034430.01

NS	Dimensions in mm					G	h ±1	SW	Weight in kg
	a	b	b ₁	b ₂	D				
50	-	-	28	47	50	G ¼ B	-	14	0.09
63	9.5	40	36.5	54.5	63	G ¼ B	51	14	0.20

Process connection per EN 837-3 / 7.3

Ordering information

Model / Nominal size / Scale range / Connection size / Connection location / Options

© 2003 WIKA Alexander Wiegand SE & Co. KG, all rights reserved.
 The specifications given in this document represent the state of engineering at the time of publishing.
 We reserve the right to make modifications to the specifications and materials.



WIKAL
WIKAL Alexander Wiegand SE & Co. KG
 Alexander-Wiegand-Straße 30
 63911 Klingenberg/Germany
 Tel. (+49) 9372/132-0
 Fax (+49) 9372/132-406
 E-mail info@wika.de
 www.wika.de