

Capsule Pressure Gauges

Test Gauge Series, Class 0.6

Model 610.20, Standard Series

Model 630.20, Stainless Steel Series

WIKA Data Sheet PM 06.09



Applications

- Precision measurement in laboratories
- High-accuracy pressure measurement
- For gaseous, dry and non-aggressive media
- Model 630.20 also for aggressive media

Special Features

- Zero adjustment in front
- Special connection location on request
- Low scale ranges from 0 ... 10 mbar



Capsule Pressure Gauge Model 610.20

Description

Design

EN 837-3

Nominal size in mm

160

Accuracy class

0.6

Scale ranges

0 ... 10 mbar to 0 ... 600 mbar
or all other equivalent vacuum or combined pressure and vacuum ranges

Pressure limitation

Steady: full scale value
Fluctuating: 0.9 x full scale value

Operating temperature

Ambient: -20 ... +60 °C
Medium: +60 °C maximum

Temperature effect

When the temperature of the measuring system deviates from the reference temperature (+20 °C):
max. ± 0.6 %/10 K of full scale value

Ingress protection

IP 54 per EN 60 529 / IEC 529

Standard version

Process connection

Model 610.20: Cu-alloy

Model 630.20: stainless steel

lower mount (LM) or lower back mount (LBM)

G ½ B (male), 22 mm flats

Pressure element

Double capsule, stainless steel

Movement

Cu-alloy, with ball bearing

Dial

Aluminium, white, black lettering

Pointer

Knife edge pointer, aluminium, black

Zero adjustment

In front

Case

Stainless steel

Window

Clear non-splintering plastic

Bezel ring

Cam ring (bayonet type), stainless steel

Options

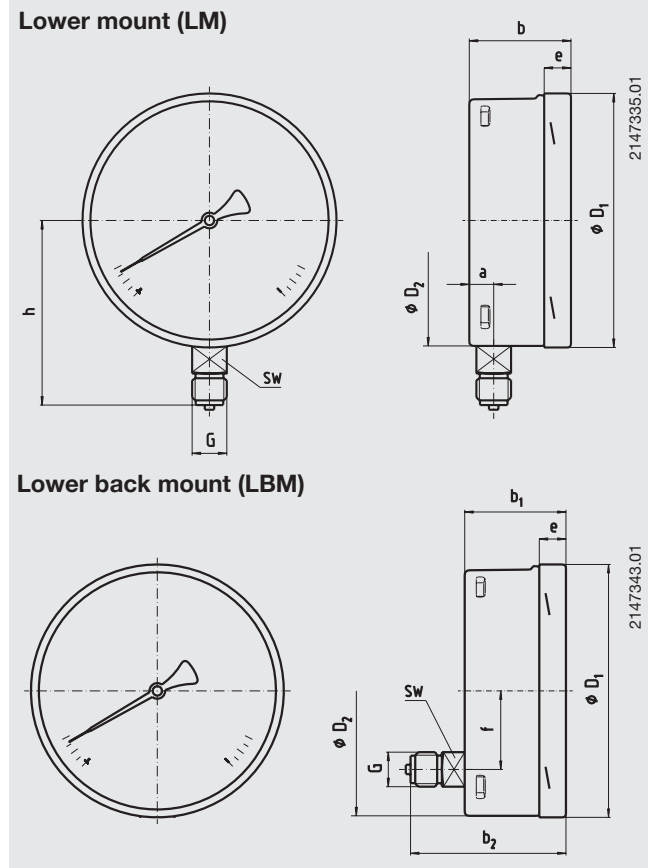
- Other process connection
- Movement stainless steel, with ball bearing
- Overpressure or vacuum safety at
 - scale ranges > 25 mbar: 10 x full scale value
 - scale ranges ≤ 25 mbar: 3 x full scale value

Further options

- Panel or surface mounting flange, stainless steel
- Triangular bezel, stainless steel, with clamp
- Instrument glass or laminated safety glass window
- Bayonet lock bezel with lead seal

Dimensions in mm

Standard version



NS	Dimensions in mm										Weight in kg	
	a	b	b ₁	b ₂	D ₁	D ₂	e	f	G	h ± 1		SW
160	15.5	65.5	65.5	99	161	159	17.5	50	G ½ B	118	22	1.2

Process connection per EN 837-3 / 7.3

Ordering information

Model / Nominal size / Scale range / Connection size / Connection location / Options

Modifications may take place and materials specified may be replaced by others without prior notice.
Specifications and dimensions given in this leaflet represent the state of engineering at the time of printing.



WIKAI Alexander Wiegand GmbH & Co. KG
 Alexander-Wiegand-Straße 30
 63911 Klingenberg/Germany
 Tel. (+49) 9372/132-0
 Fax (+49) 9372/132-406
 E-mail info@wika.de
 www.wika.de