

Bourdon tube pressure gauge

Stainless steel, safety version, high overpressure safety

Models 232.36, 233.36

WIKA data sheet PM 02.15



for further approvals
see page 2

Applications

- Especially suited for occasional short-duration overpressure loads of up to 4 times the measuring range
- Increased safety requirements
- With liquid-filled case for applications with high dynamic pressure loads or vibrations ¹⁾
- For gaseous and liquid aggressive media that are not highly viscous or crystallising, also in aggressive ambience
- Process industry: Chemical, petrochemical, power plants, mining, on- and offshore, environmental technology, machine building and general plant construction

Special features

- High overpressure safety, overpressure range is indicated completely on scale
- Safety pressure gauge with solid baffle wall designed in compliance with operational safety requirements of EN 837-1
- All stainless steel construction

Description

Design

Safety pattern version following EN 837-1

Nominal size in mm

100, 160

Measuring ranges and overpressure ranges

Measuring range in bar	Overpressure range up to ... bar
-1 ... 0	3
0 ... 0.6	2.5
0 ... 1	4
0 ... 1.6	6
0 ... 2.5	10
0 ... 4	16
0 ... 6	25
0 ... 10	40
0 ... 16	60
0 ... 25	80
0 ... 40	100

¹⁾ Model 233.36



Bourdon tube pressure gauge model 232.36

Accuracy class

Measuring range: 1.0

The measuring range end is marked by a triangle

Pressure limitation

Steady: end value of measuring range

Fluctuating: 0.9 x end value of measuring range

Short time: Overpressure range

Permissible temperature

Ambient: -40 ... +60°C without liquid filling

-20 ... +60 °C gauges with glycerine filling ¹⁾

Medium: +200 °C maximum without liquid filling

+100 °C maximum with liquid filling ¹⁾

Temperature effect

When the temperature of the measuring system deviates from the reference temperature (+20 °C):

max. ±0.4 % / 10 K of full scale value

Ingress protection

IP 65 per EN 60529 / IEC 60529

Standard version

Process connection

Stainless steel 316L, lower mount (LM)

G ½ B (male), 22 mm flats

Pressure element

Stainless steel 316L

Movement

Stainless steel

Dial

Aluminium, white, black lettering in measuring range, overpressure range indicated by a black sector

Pointer

Aluminium, black

Case

Stainless steel, with solid baffle wall (Solidfront) and blow-out back

Window

Laminated safety glass

Bezel ring

Cam ring (bayonet type), stainless steel

Filling liquid (for model 233.36)

Glycerine 99.7 %

(Glyzerine 86.5 % for scale range ≤ 0 ... 2.5 bar)

Options

- Other process connection
- Sealings (model 910.17, see data sheet AC 09.08)
- Assembly on diaphragm seals see product review diaphragm seals
- Other measuring ranges, for example -1 ... 1.5 bar
- Surface mounting lugs on the back or panel mounting flange, stainless steel
- Ambient temperatures -40 °C: Silicone oil filling
- Ingress protection IP 66 / IP 67
- Switch contacts (for NS 100 only, data sheet AC 08.01)

CE conformity

ATEX directive ¹⁾

Ignition protection type „c“, constructive safety

Approvals

- **EAC**, import certificate, customs union Russia/Belarus/Kazakhstan
- **GOST**, metrology/measurement technology, Russia
- **CRN**, safety (e.g. electr. safety, overpressure, ...), Canada
- **KOSHA**, ignition protection type „i“ - intrinsic safety, South Korea

Certificates ¹⁾

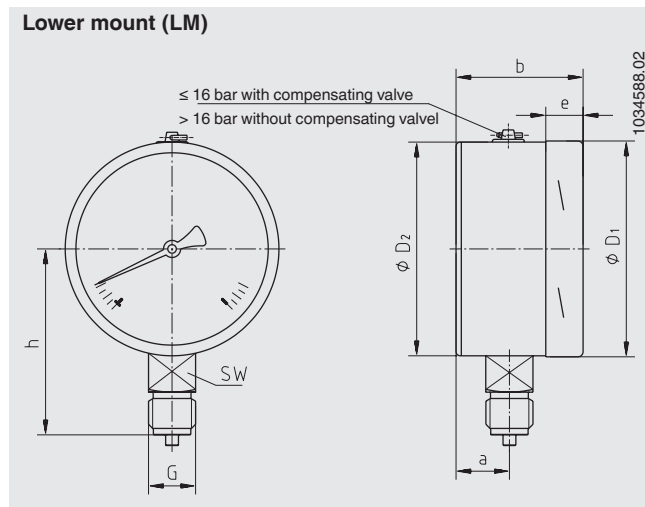
- 2.2 test report per EN 10204 (e.g. state-of-the-art manufacturing, material proof, indication accuracy)
- 3.1 inspection certificate per EN 10204 (e.g. indication accuracy)

¹⁾ Option

Approvals and certificates, see website

Dimensions in mm

Standard version



NS	Dimensions in mm								Weight in kg
	a	b	D ₁	D ₂	e	G	h ±1	SW	
100	25	59.5	101	100	17	G ½ B	87	22	0.65
160	27	65	161	159	17.5	G ½ B	118	22	1.30

Process connection per EN 837-1 / 7.3

Ordering information

Model / Nominal size / Measuring range / Connection size / Options

© 2003 WIKA Alexander Wiegand SE & Co. KG, all rights reserved.
The specifications given in this document represent the state of engineering at the time of publishing.
We reserve the right to make modifications to the specifications and materials.

