

Bimetal thermomanometer

For pressure and temperature measurement

Models 100.0x and 100.1x

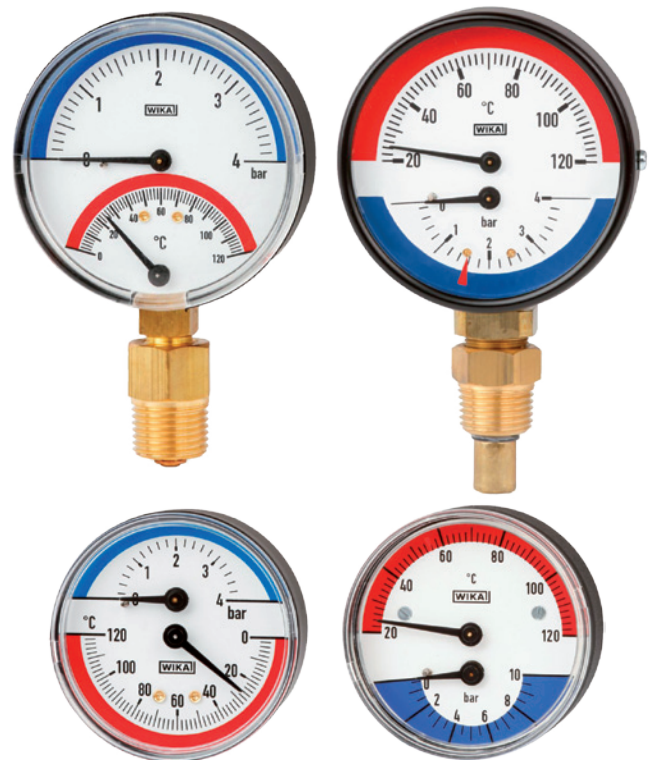
WIKA data sheet PM 01.23

Applications

- Heating systems
- Combi-boilers with hot water and heating

Special features

- Combined indication for pressure and temperature
 - Model 100.01: At the top pressure, at the bottom temperature, temperature scale bent downward
 - Model 100.02: At the top pressure, at the bottom temperature
 - Models 100.10 and 100.12: At the top temperature, at the bottom pressure
- Scale ranges to 0 ... 16 bar, 0 ... 150 °C



Description

The thermomanometer with bimetal system is fitted directly at the measuring point via a stem. The valve allows the measuring instrument to be unscrewed without having to empty the heating system first. Due to the combination of a pressure gauge and a bimetal thermometer the instrument can be used flexibly in a wide variety of applications.

Nominal size in mm

63, 80

Accuracy class

- Pressure: 2.5 (EN 837-1)
- Temperature: ± 2.5 °C

Scale ranges

- Pressure: 0 ... 1 to 0 ... 16 bar
- Temperature: 0 ... 100 to 0 ... 150 °C

Bimetal thermomanometer

Fig. top left: Model 100.01.80, lower mount

Fig. bottom left: Model 100.02.63, back mount

Fig. top right: Model 100.10.80, lower mount, with slip-on bezel option

Fig. bottom right: Model 100.12.63, back mount

Working ranges

- Pressure: Steady: 3/4 x full scale value
Fluctuating: 2/3 x full scale value
Short time: Full scale value
- Temperature: Full scale value

Measuring elements

- Pressure: Bourdon tube, copper alloy
- Temperature: Bimetal coil, copper alloy

Standard version

Process connection

R 1/2 ISO 7 (male), 22 mm flats

Models 100.01, 100.10: Lower mount (LM) ¹⁾

Models 100.02, 100.12: Centre back mount (CBM)

¹⁾ Not for NS 63

Case

Models 100.01, 100.02: Plastic, black

Models 100.10, 100.12: Steel, black lacquered

Movement

Copper alloy

Dial

Aluminium, white, black lettering

Pressure scale marked in blue, temperature scale marked in red

Models 100.01, 100.02: At the top pressure, at the bottom temperature (model 100.01: Temp. scale bent downward)

Models 100.10, 100.12: At the top temperature, at the bottom pressure

Pointer

Aluminium, black

Window

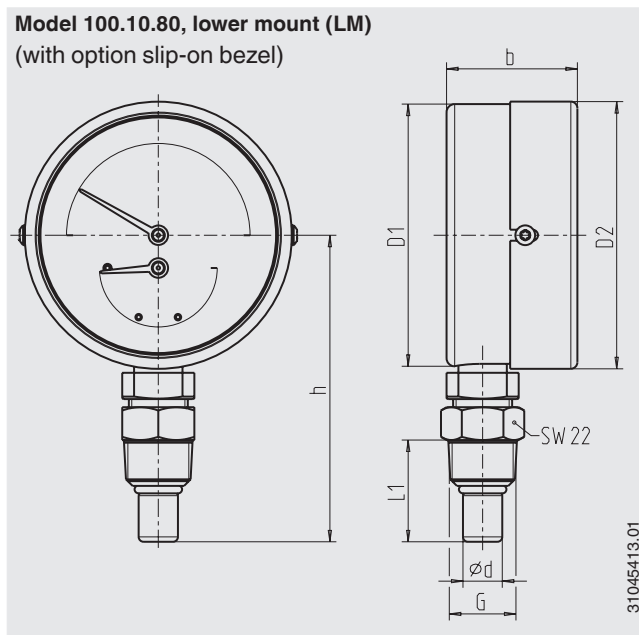
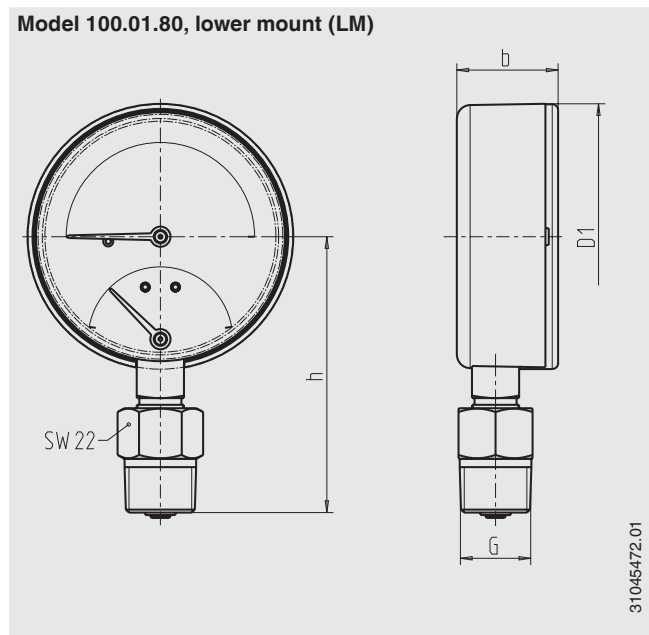
Plastic, crystal-clear, snap-fitted

Options

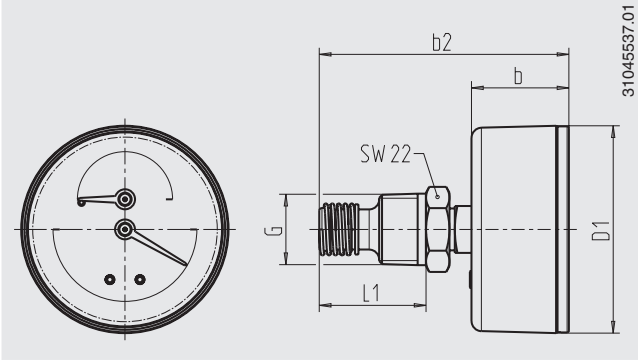
- Other process connection
- Models 100.01, 100.02: Case steel, black lacquered
- Models 100.10, 100.12: Slip-on bezel steel, black or chrome plated, or stainless steel, natural finish or polished
- Shut-off valve, copper alloy
- Model 100.10: Instrument glass (with slip-on bezel)
- Other scale ranges
- Special scales

Dimensions in mm

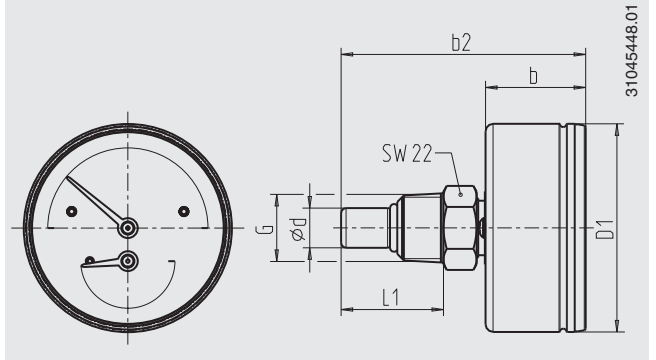
Standard version



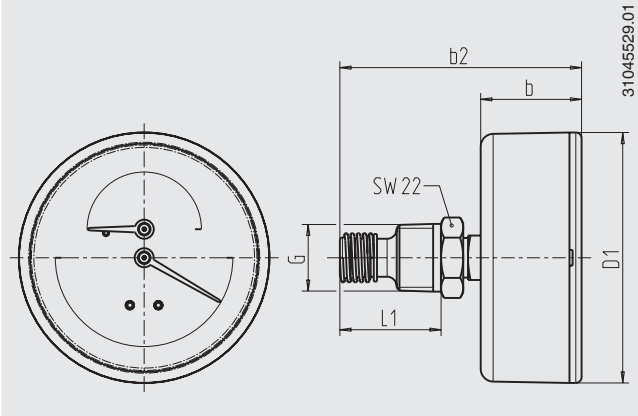
Model 100.02.63, centre back mount (CBM)



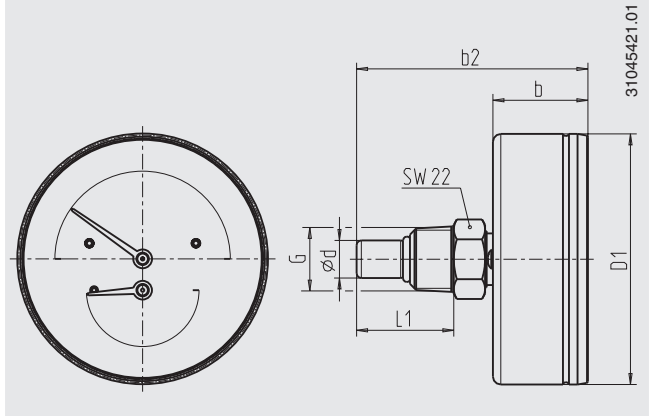
Model 100.12.63, centre back mount (CBM)



Model 100.02.80, centre back mount (CBM)



Model 100.12.80, centre back mount (CBM)



Model	NS	Dimensions in mm					Weight in kg				
		b	b2	d	D1	D2	G	h	L1	SW	
100.01	80	30	-	-	79	-	R 1/2 ISO 7	82	-	22	0.2
100.10	80	40	-	12	80	81.5	R 1/2 ISO 7	94	31	22	0.3
100.02	63	29	74	-	62	-	R 1/2 ISO 7	-	32	22	0.2
100.02	80	32	76	-	79	-	R 1/2 ISO 7	-	32	22	0.2
100.12	63	30	74	12	63	-	R 1/2 ISO 7	-	31	22	0.2
100.12	80	30	74	12	80	-	R 1/2 ISO 7	-	31	22	0.3

Ordering information

Model / Nominal size / Scale ranges (pressure and temperature) / Process connection / Connection location / Options

© 2013 WIKA Alexander Wiegand SE & Co. KG, all rights reserved.
 The specifications given in this document represent the state of engineering at the time of publishing.
 We reserve the right to make modifications to the specifications and materials.



WIKAL
 WIKA Alexander Wiegand SE & Co. KG
 Alexander-Wiegand-Straße 30
 63911 Klingenberg/Germany
 Tel. +49 9372 132-0
 Fax +49 9372 132-406
 info@wika.de
 www.wika.de