

GENERAL INFORMATION

- This specification document is for **pressure gauges** manufactured by:

STIKO, Industrieweg 5, 9301 LM Roden, The Netherlands.

- STIKO® is a manufacturer of mechanical instruments in the area of temperature, pressure and calibration. We offer thermometers, pressure gauges, pressure and/or temperature recorders, as well as calibration equipment. We develop and manufacture all our instruments to ISO-9001-2008 standards.
- In order to construct your instrument please proceed as follows:

EXAMPLE 1

		PAGE:
1 Instrument type	PBX100LA	3
2 Pressure range	0 + 250 bar	55
3 Electrical device	I-1-Hz contact	61
4 Any options	Blow-out plug	57-58

EXAMPLE 2

		PAGE:
1 Instrument type	PFS100XA-04	31
2 Pressure range	0 + 60 bar	55
3 Capillary tube	1.500 mm, AISI321/1.4541	31
4 Electrical device	M-1-Hz contact	60
5 Any options	Blow-out disc	57-58

- Abbreviations used in this document: O.D. = ON DEMAND; N.A. = NOT AVAILABLE
- Dimensions used in this document are in: millimeters (mm).
- Your order will be confirmed by e-mail.
- Other variations which are not mentioned in this document are on demand (if possible).

CERTIFICATION

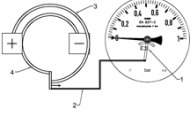
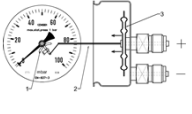
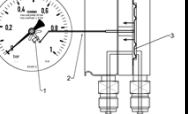
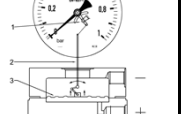
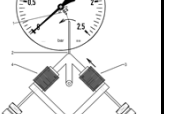
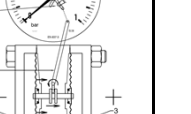
- Certificates of Conformity to the company's published specifications are available on request for all STIKO® manufactured products according to EN 10204 2.2.
- Certificates of Calibration for all STIKO® manufactured products are also available. These certificates indicate deviations from standards traceable to R V A - D K D (Dutch - German National Standards). The results are recorded in a certificate which include calibration date, instrument serial number, type number and the R V A or D K D standard used.
- Material Certificates according to EN 10204 3.1 for all STIKO® manufactured products are also available. These certificates indicate specifications of the materials used.

WARRANTY AND REPAIR SERVICE

- An efficient repair and sparepart service is available at competitive rates for STIKO® products and products of other manufacturers. Instruments for repair should be sent carriage paid and labelled with the sender's name and address, together with a brief description of the work required. Within two days after receiving the instruments, you will get a full detailed offer for the repair job.
- **A warranty period of 24 months is applicable for all instruments sold as of January 1st, 2018**

DIFFERENTIAL PRESSURE GAUGES

Selection guide

parameter		differential pressure gauge type					
		PBD	PCD	PDD	PMD	PSD	POD
operating principle		2x bourdon tube	capsule	1x diaphragm	1x diaphragm	2x bellows	2x diaphragm
range (span)	min.	0.6 bar	25 mbar case 100 6 mbar case 160	0.6 bar	250 mbar 25 mbar for type low	100 mbar	1 bar 100 mbar for type low
	max.	16 bar	400 mbar	16 bar	25 bar	6 bar	25 bar
static pressure	max.	2.5 ... 4 x range	1.5 bar case 100mm 1 bar case 160mm	20 bar	100 bar 25 bar for type low	10 x range	100 bar optional 250 bar
overload safe	max.	no	no optional max. 2 bar	4 x range 2.4 ...20 bar	no	upto static press. upto static press.	100 bar optional 250 bar
case diameter	mm	100; 160	100; 160	100; 160	100; 160		100; 160
contact device		yes	no	no	yes	no	yes
	min.	1.6 bar			1,6 bar 100 mbar for type low		1.6 bar
chemical seals <small>see catalogue page 37</small>		yes, wide range	no	yes	yes	no	yes
wetted parts		AISI316L/1.4435 AISI316Ti/1.4571 fully welded system	for clean air and dry gasses only stainless steel nickel coated brass; macrolon	AISI316L/1.4435 diaphragm duratherm Viton; PTFE	AISI316L/1.4435 diaphragm duratherm Viton; PTFE	AISI316L/1.4435 fully welded system	DP cell; AISI316L/1.4435 diaphragm duratherm Viton; PTFE
catalogue page		45	46				
operating principle <small>see also catalogue</small>							
T ambient		-20/+60 °C	-20/+50 °C	-20/+60 °C	-20/+60 °C	-20/+60 °C	-20/+60 °C
T process max.		-20/+100 °C	-20/+50 °C	-20/+80 °C	-20/+80 °C	-20/+80 °C	-20/+80 °C

DIFFERENTIAL PRESSURE GAUGE TYPE PBD

TYPE PBD, with double bourdon-tube system

STANDARD MODEL

Features :

- double bourdon-tube system
- corrosion resistance
- all welded construction
- pointer deflection between 90°-180°
- pressure safe upto the measuring range

Wetted parts : bourdon tube AISI316Ti/1.4571

Applications :

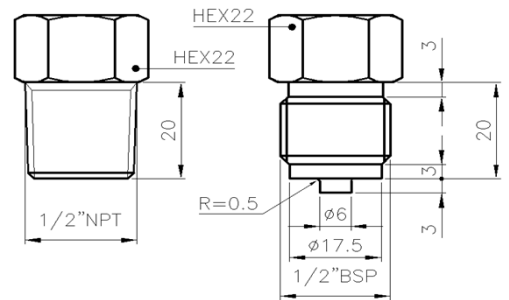
- flow measurement
- petrol chemical industry
- filter applications
- general industry
- shipping industry
- off-shore



Example: PBD100XN

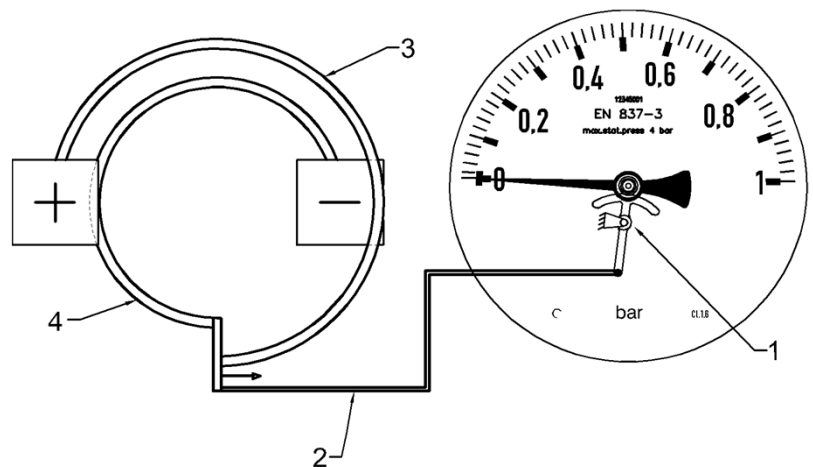
Type	max. static pressure	Range
PBD	max. 3 bar	0 - 0.6 bar
	max. 4 bar	0 - 1 bar
	max. 6 bar	0 - 1.6 bar
	max. 10 bar	0 - 2.5 bar
	max. 16 bar	0 - 4 bar
	max. 25 bar	0 - 6 bar
	max. 30 bar	0 - 10 bar
	max. 40 bar	0 - 16 bar

Standard connections



Options :

- other connections
- electrical contacts
- swivel adapters
- manifolds
- chemical seals (on demand)
- special dials



- 1 pointer mechanism
- 2 connecting rod
- 3 + bourdon tube
- 4 - bourdon tube

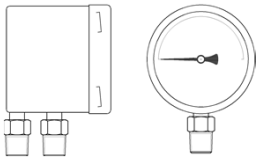
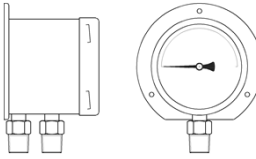
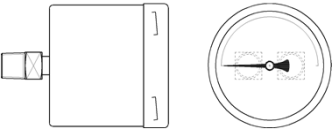
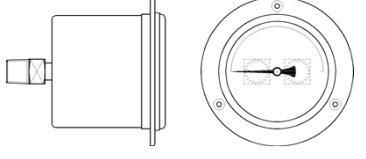
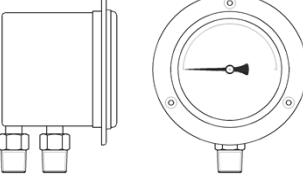
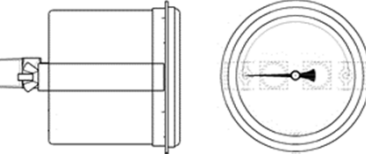
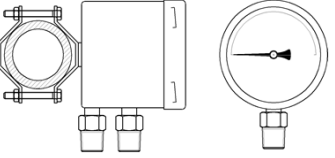
operating principle

STAINLESS STEEL DIFFERENTIAL PRESSURE GAUGE, TYPE PBD

TYPE PBD, with bourdon-tube system

STANDARD MODEL

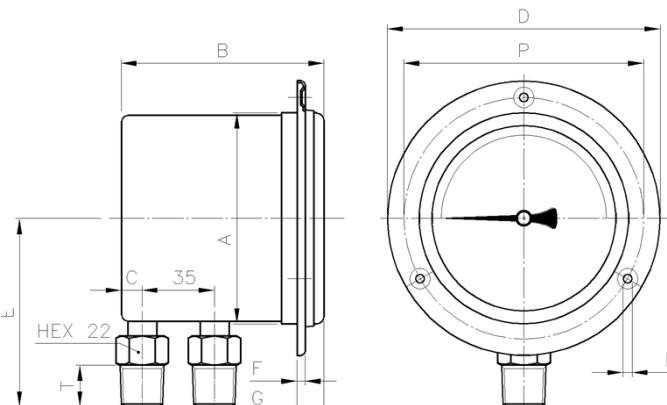
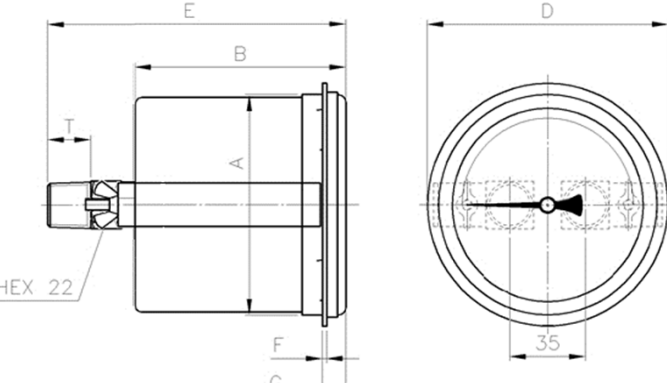
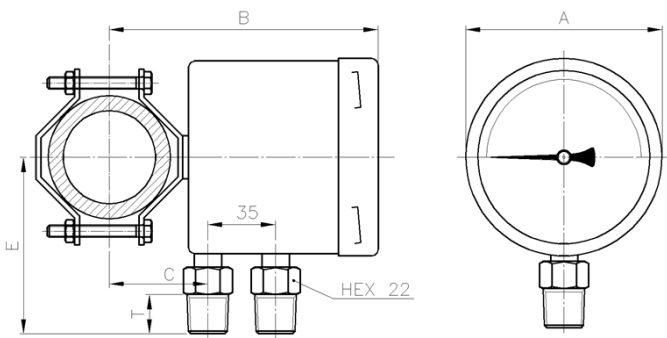
CASE	: bayonet lock, AISI304/1.4301, IP-65	CONNECTION	: 2x ½"BSP or ½"NPT AISI316L/1.4404
WETTED PARTS	: double bourdon tube AISI316Ti/1.4571	MOVEMENT	: AISI304/1.4301
WINDOW	: safety glass	ACCURACY	: ± 1.6% F.S./class 1.6
DIAL	: aluminium, black figures on white	OPTIONS	: see page 57-65, electrical contacts
POINTER	: aluminium, black	POINTER DEFLECTION BETWEEN 100° AND 180°	

TYPE	MODEL	CASE DIAMETER (Ø in mm)	
		100	160
K		PBD100XK	PBD160XK
L		PBD100XL	PBD160XL
M		PBD100XM	PBD160XM
N		PBD100XN	PBD160XN
O		PBD100XO	PBD160XO
H		PBD100XH	PBD160XH
Y 2" Yoke (vert or hor)		PBD100XY	PBD160XY
OPTION		EXTRA COSTS	
Lx	LIQUID FILLED CASE: GLYCERINE (in combination with electrical contact: Ondina oil, see page 49)	PBD100Lx	PBD160Lx
"Hz" CONTACT DEVICE	EXCLUDING "Hz" CONTACT (see page 64)		

DIFFERENTIAL PRESSURE GAUGE TYPE PBD

TYPE	DRAWING	DIMENSIONS mm																																																						
K <i>PBDxxxXK</i>		<table border="1" style="width: 100%; border-collapse: collapse;"> <thead> <tr style="background-color: #008080; color: white;"> <th rowspan="2">DIM.</th> <th colspan="4">CASE DIAMETER</th> </tr> <tr style="background-color: #008080; color: white;"> <th>100</th> <th>160</th> <th>100 + contact</th> <th>160 + contact</th> </tr> </thead> <tbody> <tr> <td>A</td> <td>101.5</td> <td>162</td> <td>101,5</td> <td>162</td> </tr> <tr> <td>B</td> <td>97</td> <td>100</td> <td>159</td> <td>163</td> </tr> <tr> <td>C</td> <td>14</td> <td>18</td> <td>14</td> <td>18</td> </tr> <tr> <td>E</td> <td>90</td> <td>120</td> <td>90</td> <td>120</td> </tr> <tr> <td>T*</td> <td>20</td> <td>20</td> <td>20</td> <td>20</td> </tr> </tbody> </table> <p style="font-size: small; text-align: center;">* standard connection 1/2"BSP or 1/2"NPT</p>	DIM.	CASE DIAMETER				100	160	100 + contact	160 + contact	A	101.5	162	101,5	162	B	97	100	159	163	C	14	18	14	18	E	90	120	90	120	T*	20	20	20	20																				
DIM.	CASE DIAMETER																																																							
	100	160	100 + contact	160 + contact																																																				
A	101.5	162	101,5	162																																																				
B	97	100	159	163																																																				
C	14	18	14	18																																																				
E	90	120	90	120																																																				
T*	20	20	20	20																																																				
L <i>PBDxxxXL</i>		<table border="1" style="width: 100%; border-collapse: collapse;"> <thead> <tr style="background-color: #008080; color: white;"> <th rowspan="2">DIM.</th> <th colspan="4">CASE DIAMETER</th> </tr> <tr style="background-color: #008080; color: white;"> <th>100</th> <th>160</th> <th>100 + contact</th> <th>160 + contact</th> </tr> </thead> <tbody> <tr> <td>A</td> <td>101.5</td> <td>162</td> <td>101,5</td> <td>162</td> </tr> <tr> <td>B</td> <td>100</td> <td>102</td> <td>162</td> <td>165</td> </tr> <tr> <td>C</td> <td>14</td> <td>18</td> <td>14</td> <td>18</td> </tr> <tr> <td>D</td> <td>132</td> <td>196</td> <td>132</td> <td>196</td> </tr> <tr> <td>E</td> <td>90</td> <td>120</td> <td>90</td> <td>120</td> </tr> <tr> <td>P</td> <td>116</td> <td>178</td> <td>116</td> <td>178</td> </tr> <tr> <td>H</td> <td>4,5</td> <td>6</td> <td>4,5</td> <td>6</td> </tr> <tr> <td>T*</td> <td>20</td> <td>20</td> <td>20</td> <td>20</td> </tr> </tbody> </table> <p style="font-size: small; text-align: center;">* standard connection 1/2"BSP or 1/2"NPT</p>	DIM.	CASE DIAMETER				100	160	100 + contact	160 + contact	A	101.5	162	101,5	162	B	100	102	162	165	C	14	18	14	18	D	132	196	132	196	E	90	120	90	120	P	116	178	116	178	H	4,5	6	4,5	6	T*	20	20	20	20					
DIM.	CASE DIAMETER																																																							
	100	160	100 + contact	160 + contact																																																				
A	101.5	162	101,5	162																																																				
B	100	102	162	165																																																				
C	14	18	14	18																																																				
D	132	196	132	196																																																				
E	90	120	90	120																																																				
P	116	178	116	178																																																				
H	4,5	6	4,5	6																																																				
T*	20	20	20	20																																																				
M <i>PBDxxxXM</i>		<table border="1" style="width: 100%; border-collapse: collapse;"> <thead> <tr style="background-color: #008080; color: white;"> <th rowspan="2">DIM.</th> <th colspan="4">CASE DIAMETER</th> </tr> <tr style="background-color: #008080; color: white;"> <th>100</th> <th>160</th> <th>100 + contact</th> <th>160 + contact</th> </tr> </thead> <tbody> <tr> <td>A</td> <td>101.5</td> <td>162</td> <td>101,5</td> <td>162</td> </tr> <tr> <td>B</td> <td>97</td> <td>100</td> <td>159</td> <td>163</td> </tr> <tr> <td>E</td> <td>137</td> <td>140</td> <td>199</td> <td>203</td> </tr> <tr> <td>T*</td> <td>20</td> <td>20</td> <td>20</td> <td>20</td> </tr> </tbody> </table> <p style="font-size: small; text-align: center;">* standard connection 1/2"BSP or 1/2"NPT</p>	DIM.	CASE DIAMETER				100	160	100 + contact	160 + contact	A	101.5	162	101,5	162	B	97	100	159	163	E	137	140	199	203	T*	20	20	20	20																									
DIM.	CASE DIAMETER																																																							
	100	160	100 + contact	160 + contact																																																				
A	101.5	162	101,5	162																																																				
B	97	100	159	163																																																				
E	137	140	199	203																																																				
T*	20	20	20	20																																																				
N <i>PBDxxxXN</i>		<table border="1" style="width: 100%; border-collapse: collapse;"> <thead> <tr style="background-color: #008080; color: white;"> <th rowspan="2">DIM.</th> <th colspan="4">CASE DIAMETER</th> </tr> <tr style="background-color: #008080; color: white;"> <th>100</th> <th>160</th> <th>100 + contact</th> <th>160 + contact</th> </tr> </thead> <tbody> <tr> <td>A</td> <td>101.5</td> <td>162</td> <td>101,5</td> <td>162</td> </tr> <tr> <td>B</td> <td>97</td> <td>100</td> <td>159</td> <td>163</td> </tr> <tr> <td>D</td> <td>132</td> <td>196</td> <td>132</td> <td>196</td> </tr> <tr> <td>E</td> <td>137</td> <td>140</td> <td>199</td> <td>203</td> </tr> <tr> <td>F</td> <td>3,5</td> <td>3</td> <td>3,5</td> <td>3</td> </tr> <tr> <td>G</td> <td>13</td> <td>15,5</td> <td>13</td> <td>15,5</td> </tr> <tr> <td>H</td> <td>4,5</td> <td>6</td> <td>4,5</td> <td>6</td> </tr> <tr> <td>P</td> <td>116</td> <td>178</td> <td>116</td> <td>178</td> </tr> <tr> <td>T*</td> <td>20</td> <td>20</td> <td>20</td> <td>20</td> </tr> </tbody> </table> <p style="font-size: small; text-align: center;">* standard connection 1/2"BSP or 1/2"NPT</p>	DIM.	CASE DIAMETER				100	160	100 + contact	160 + contact	A	101.5	162	101,5	162	B	97	100	159	163	D	132	196	132	196	E	137	140	199	203	F	3,5	3	3,5	3	G	13	15,5	13	15,5	H	4,5	6	4,5	6	P	116	178	116	178	T*	20	20	20	20
DIM.	CASE DIAMETER																																																							
	100	160	100 + contact	160 + contact																																																				
A	101.5	162	101,5	162																																																				
B	97	100	159	163																																																				
D	132	196	132	196																																																				
E	137	140	199	203																																																				
F	3,5	3	3,5	3																																																				
G	13	15,5	13	15,5																																																				
H	4,5	6	4,5	6																																																				
P	116	178	116	178																																																				
T*	20	20	20	20																																																				

DIFFERENTIAL PRESSURE GAUGE TYPE PBD

TYPE	DRAWING	DIMENSIONS mm																																																											
O PBDxxxXO		<table border="1" style="width: 100%; border-collapse: collapse;"> <thead> <tr> <th rowspan="2">DIM.</th> <th colspan="4">CASE DIAMETER</th> </tr> <tr> <th>100</th> <th>160</th> <th>100 + contact</th> <th>160 + contact</th> </tr> </thead> <tbody> <tr><td>A</td><td>101.5</td><td>162</td><td>101,5</td><td>162</td></tr> <tr><td>B</td><td>97</td><td>100</td><td>97</td><td>100</td></tr> <tr><td>C</td><td>14</td><td>18</td><td>14</td><td>18</td></tr> <tr><td>D</td><td>132</td><td>196</td><td>132</td><td>196</td></tr> <tr><td>E</td><td>90</td><td>120</td><td>90</td><td>120</td></tr> <tr><td>F</td><td>3,5</td><td>3</td><td>3,5</td><td>3</td></tr> <tr><td>G</td><td>13</td><td>15,5</td><td>13</td><td>15,5</td></tr> <tr><td>H</td><td>4,5</td><td>6</td><td>4,5</td><td>6</td></tr> <tr><td>P</td><td>116</td><td>178</td><td>116</td><td>178</td></tr> <tr><td>T*</td><td>20</td><td>20</td><td>20</td><td>20</td></tr> </tbody> </table> <p style="text-align: center; font-size: small;">* standard connection 1/2"BSP or 1/2"NPT</p>	DIM.	CASE DIAMETER				100	160	100 + contact	160 + contact	A	101.5	162	101,5	162	B	97	100	97	100	C	14	18	14	18	D	132	196	132	196	E	90	120	90	120	F	3,5	3	3,5	3	G	13	15,5	13	15,5	H	4,5	6	4,5	6	P	116	178	116	178	T*	20	20	20	20
DIM.	CASE DIAMETER																																																												
	100	160	100 + contact	160 + contact																																																									
A	101.5	162	101,5	162																																																									
B	97	100	97	100																																																									
C	14	18	14	18																																																									
D	132	196	132	196																																																									
E	90	120	90	120																																																									
F	3,5	3	3,5	3																																																									
G	13	15,5	13	15,5																																																									
H	4,5	6	4,5	6																																																									
P	116	178	116	178																																																									
T*	20	20	20	20																																																									
H PBDxxxXH		<table border="1" style="width: 100%; border-collapse: collapse;"> <thead> <tr> <th rowspan="2">DIM.</th> <th colspan="4">CASE DIAMETER</th> </tr> <tr> <th>100</th> <th>160</th> <th>100 + contact</th> <th>160 + contact</th> </tr> </thead> <tbody> <tr><td>A</td><td>101.5</td><td>162</td><td>101,5</td><td>162</td></tr> <tr><td>B</td><td>97</td><td>100</td><td>159</td><td>163</td></tr> <tr><td>D</td><td>110</td><td>180</td><td>110</td><td>180</td></tr> <tr><td>E</td><td>137</td><td>140</td><td>199</td><td>203</td></tr> <tr><td>F</td><td>2</td><td>2</td><td>2</td><td>2</td></tr> <tr><td>G</td><td>10,5</td><td>9</td><td>10,5</td><td>9</td></tr> <tr><td>T*</td><td>20</td><td>20</td><td>20</td><td>20</td></tr> </tbody> </table> <p style="text-align: center; font-size: small;">* standard connection 1/2"BSP or 1/2"NPT</p>	DIM.	CASE DIAMETER				100	160	100 + contact	160 + contact	A	101.5	162	101,5	162	B	97	100	159	163	D	110	180	110	180	E	137	140	199	203	F	2	2	2	2	G	10,5	9	10,5	9	T*	20	20	20	20															
DIM.	CASE DIAMETER																																																												
	100	160	100 + contact	160 + contact																																																									
A	101.5	162	101,5	162																																																									
B	97	100	159	163																																																									
D	110	180	110	180																																																									
E	137	140	199	203																																																									
F	2	2	2	2																																																									
G	10,5	9	10,5	9																																																									
T*	20	20	20	20																																																									
Y PBDxxxXY pipe size: Ø44 - Ø70 mm		<table border="1" style="width: 100%; border-collapse: collapse;"> <thead> <tr> <th rowspan="2">DIM.</th> <th colspan="4">CASE DIAMETER</th> </tr> <tr> <th>100</th> <th>160</th> <th>100 + contact</th> <th>160 + contact</th> </tr> </thead> <tbody> <tr><td>A</td><td>101.5</td><td>162</td><td>101,5</td><td>162</td></tr> <tr><td>B</td><td>140**</td><td>143**</td><td>202**</td><td>206**</td></tr> <tr><td>C</td><td>57</td><td>61</td><td>57</td><td>61</td></tr> <tr><td>E</td><td>90</td><td>120</td><td>90</td><td>120</td></tr> <tr><td>T*</td><td>20</td><td>20</td><td>20</td><td>20</td></tr> </tbody> </table> <p style="text-align: center; font-size: small;">* standard connection 1/2"BSP or 1/2"NPT ** dimensions for 2" pipe size</p> <p style="text-align: center; font-size: x-small;">bracket for horizontal or vertical pipe mounting</p>	DIM.	CASE DIAMETER				100	160	100 + contact	160 + contact	A	101.5	162	101,5	162	B	140**	143**	202**	206**	C	57	61	57	61	E	90	120	90	120	T*	20	20	20	20																									
DIM.	CASE DIAMETER																																																												
	100	160	100 + contact	160 + contact																																																									
A	101.5	162	101,5	162																																																									
B	140**	143**	202**	206**																																																									
C	57	61	57	61																																																									
E	90	120	90	120																																																									
T*	20	20	20	20																																																									

DIFFERENTIAL PRESSURE GAUGE TYPE PCD

TYPE PCD, capsule system for low pressure

STANDARD MODEL

Features : capsule system
for clean air and dry gasses
case under static pressure

Liquid filling and contact devices with PCD not possible

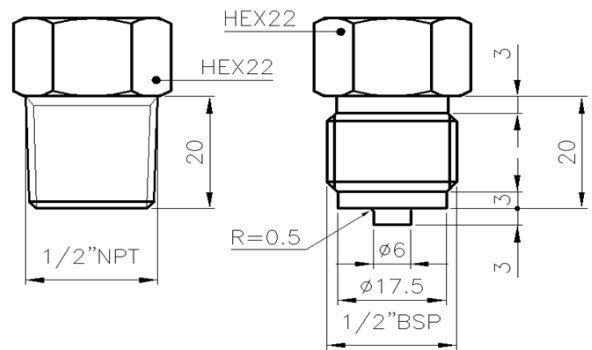
Wetted parts: capsule AISI316Ti/1.4571
st.steel; viton; NBR; macrolon
nickel plated brass movement in measuring chamber

Applications : flow measurement
heating and ventilation
filter applications
general industry
oil and gas industry
for clean air and dry gasses only



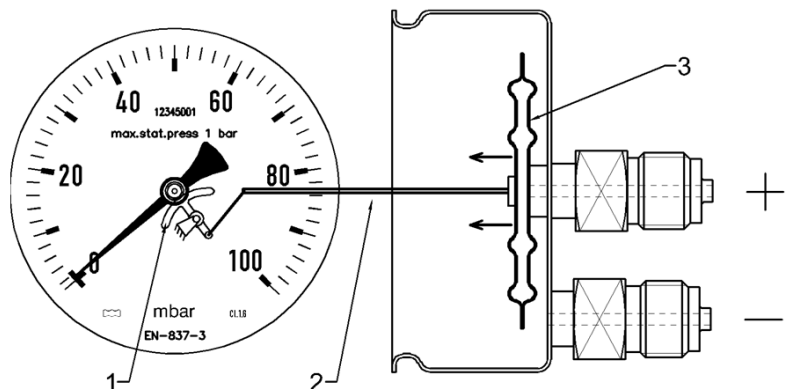
Example: PCD100XK

Type	Range	Max. stat. pressure
PCD100xx	0 - 25 mbar upto 0 - 400 mbar	1.5 bar
PCD160xx	0 - 6 mbar upto 0 - 400 mbar	1 bar



Standard connections

Options : other connections
swivel adapters
manifolds
special dials



operating principle

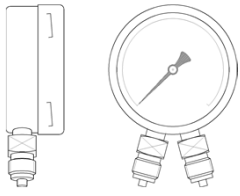
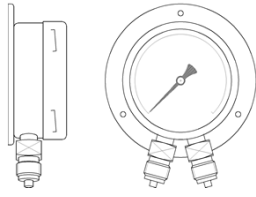
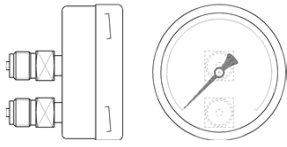
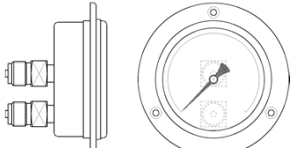
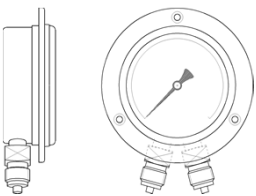
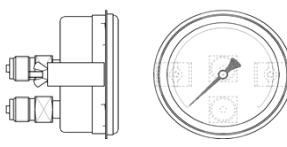
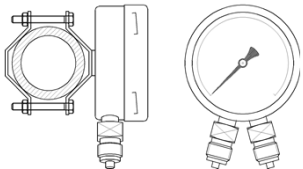
- 1 pointer mechanism
- 2 connecting rod
- 3 sensing element (capsule)

STAINLESS STEEL LOW-DIFFERENTIAL PRESSURE GAUGE, TYPE PCD

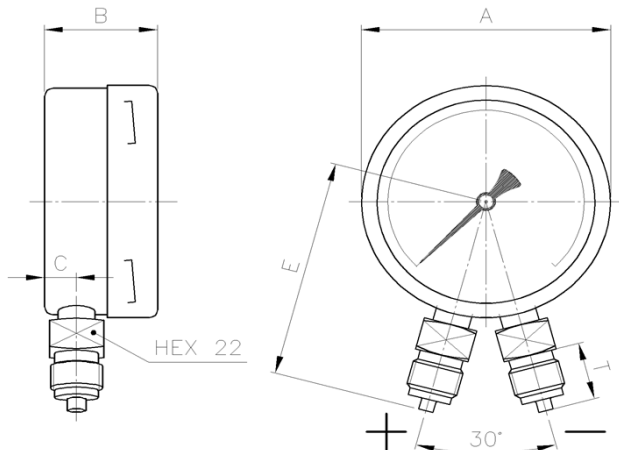
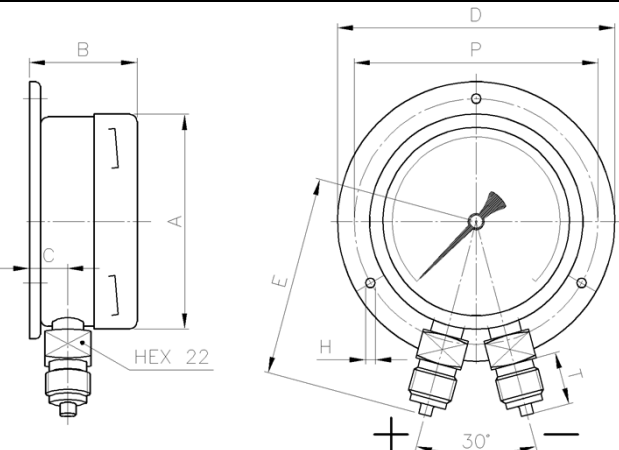
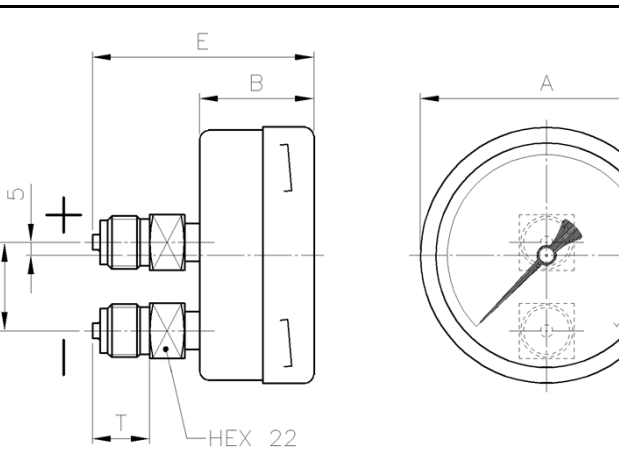
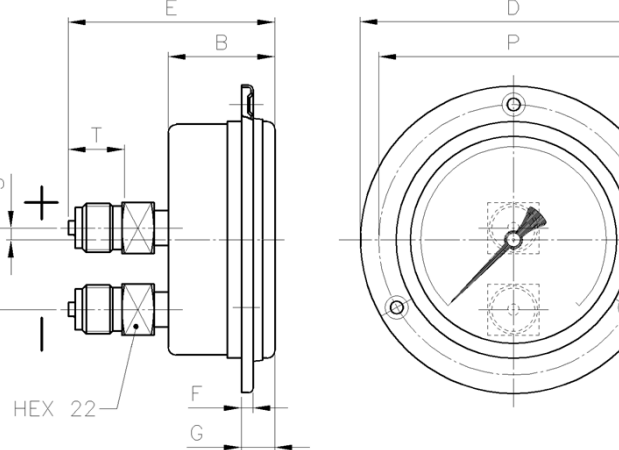
TYPE PCD, with capsule measuring element

STANDARD MODEL

CASE	: bayonet lock, AISI304/1.4301, IP-66	CONNECTION	: 2x ½"BSP or ½"NPT, AISI316L/1.4404
WINDOW	: macrolon 8 mm	MOVEMENT	: nickel plated brass
DIAL	: aluminium, black figures on white	ACCURACY	: ± 1.6% F.S./class 1.6
POINTER	: aluminium, black	OPTIONS	: see page 57-58

TYPE	MODEL	CASE DIAMETER (Ø in mm)	
		100	160
K		<i>PCD100XK</i>	<i>PCD160XK</i>
L		<i>PCD100XL</i>	<i>PCD160XL</i>
M		<i>PCD100XM</i>	<i>PCD160XM</i>
N		<i>PCD100XN</i>	<i>PCD160XN</i>
O		<i>PCD100XO</i>	<i>PCD160XO</i>
H		<i>PCD100XH</i>	<i>PCD160XH</i>
Y 2"Yoke vert or hor	 pipe Ø44mm - Ø70 mm	<i>PCD100XY</i>	<i>PCD160XY</i>
OPTION		EXTRA COSTS	
OVERRANGE PROTECTION	UPTO 10 TIMES FULL SCALE maximum 2.0 bar		
NOTES:		Contact devices / liquid filling not possible with PCD	

DIFFERENTIAL PRESSURE GAUGE TYPE PCD

TYPE	DRAWING	DIMENSIONS mm																																
K <i>PCDxxxXK</i>		<table border="1" style="width: 100%; border-collapse: collapse;"> <thead> <tr> <th rowspan="2">DIM.</th> <th colspan="2">CASE DIAMETER</th> </tr> <tr> <th style="text-align: center;">100</th> <th style="text-align: center;">160</th> </tr> </thead> <tbody> <tr> <td>A</td> <td style="text-align: center;">101.5</td> <td style="text-align: center;">162</td> </tr> <tr> <td>B</td> <td style="text-align: center;">51</td> <td style="text-align: center;">49</td> </tr> <tr> <td>C</td> <td style="text-align: center;">13</td> <td style="text-align: center;">13</td> </tr> <tr> <td>E</td> <td style="text-align: center;">90</td> <td style="text-align: center;">120</td> </tr> <tr> <td>T*</td> <td style="text-align: center;">20</td> <td style="text-align: center;">20</td> </tr> </tbody> </table> <p style="text-align: center; font-size: small;">* standard connection 1/2"BSP or 1/2"NPT</p>	DIM.	CASE DIAMETER		100	160	A	101.5	162	B	51	49	C	13	13	E	90	120	T*	20	20												
DIM.	CASE DIAMETER																																	
	100	160																																
A	101.5	162																																
B	51	49																																
C	13	13																																
E	90	120																																
T*	20	20																																
L <i>PCDxxxXL</i>		<table border="1" style="width: 100%; border-collapse: collapse;"> <thead> <tr> <th rowspan="2">DIM.</th> <th colspan="2">CASE DIAMETER</th> </tr> <tr> <th style="text-align: center;">100</th> <th style="text-align: center;">160</th> </tr> </thead> <tbody> <tr> <td>A</td> <td style="text-align: center;">101.5</td> <td style="text-align: center;">162</td> </tr> <tr> <td>B</td> <td style="text-align: center;">54</td> <td style="text-align: center;">52</td> </tr> <tr> <td>C</td> <td style="text-align: center;">16</td> <td style="text-align: center;">15</td> </tr> <tr> <td>D</td> <td style="text-align: center;">132</td> <td style="text-align: center;">196</td> </tr> <tr> <td>E</td> <td style="text-align: center;">90</td> <td style="text-align: center;">120</td> </tr> <tr> <td>P</td> <td style="text-align: center;">116</td> <td style="text-align: center;">178</td> </tr> <tr> <td>H</td> <td style="text-align: center;">4,5</td> <td style="text-align: center;">6</td> </tr> <tr> <td>T*</td> <td style="text-align: center;">20</td> <td style="text-align: center;">20</td> </tr> </tbody> </table> <p style="text-align: center; font-size: small;">* standard connection 1/2"BSP or 1/2"NPT</p>	DIM.	CASE DIAMETER		100	160	A	101.5	162	B	54	52	C	16	15	D	132	196	E	90	120	P	116	178	H	4,5	6	T*	20	20			
DIM.	CASE DIAMETER																																	
	100	160																																
A	101.5	162																																
B	54	52																																
C	16	15																																
D	132	196																																
E	90	120																																
P	116	178																																
H	4,5	6																																
T*	20	20																																
M <i>PCDxxxXM</i>		<table border="1" style="width: 100%; border-collapse: collapse;"> <thead> <tr> <th rowspan="2">DIM.</th> <th colspan="2">CASE DIAMETER</th> </tr> <tr> <th style="text-align: center;">100</th> <th style="text-align: center;">160</th> </tr> </thead> <tbody> <tr> <td>A</td> <td style="text-align: center;">101.5</td> <td style="text-align: center;">162</td> </tr> <tr> <td>B</td> <td style="text-align: center;">51</td> <td style="text-align: center;">49</td> </tr> <tr> <td>E</td> <td style="text-align: center;">90</td> <td style="text-align: center;">88</td> </tr> <tr> <td>T*</td> <td style="text-align: center;">20</td> <td style="text-align: center;">20</td> </tr> </tbody> </table> <p style="text-align: center; font-size: small;">* standard connection 1/2"BSP or 1/2"NPT</p>	DIM.	CASE DIAMETER		100	160	A	101.5	162	B	51	49	E	90	88	T*	20	20															
DIM.	CASE DIAMETER																																	
	100	160																																
A	101.5	162																																
B	51	49																																
E	90	88																																
T*	20	20																																
N <i>PCDxxxXN</i>		<table border="1" style="width: 100%; border-collapse: collapse;"> <thead> <tr> <th rowspan="2">DIM.</th> <th colspan="2">CASE DIAMETER</th> </tr> <tr> <th style="text-align: center;">100</th> <th style="text-align: center;">160</th> </tr> </thead> <tbody> <tr> <td>A</td> <td style="text-align: center;">101.5</td> <td style="text-align: center;">162</td> </tr> <tr> <td>B</td> <td style="text-align: center;">51</td> <td style="text-align: center;">49</td> </tr> <tr> <td>D</td> <td style="text-align: center;">132</td> <td style="text-align: center;">196</td> </tr> <tr> <td>E</td> <td style="text-align: center;">90</td> <td style="text-align: center;">88</td> </tr> <tr> <td>F</td> <td style="text-align: center;">3,5</td> <td style="text-align: center;">3</td> </tr> <tr> <td>G</td> <td style="text-align: center;">13</td> <td style="text-align: center;">15,5</td> </tr> <tr> <td>H</td> <td style="text-align: center;">4,5</td> <td style="text-align: center;">6</td> </tr> <tr> <td>P</td> <td style="text-align: center;">116</td> <td style="text-align: center;">178</td> </tr> <tr> <td>T*</td> <td style="text-align: center;">20</td> <td style="text-align: center;">20</td> </tr> </tbody> </table> <p style="text-align: center; font-size: small;">* standard connection 1/2"BSP or 1/2"NPT</p>	DIM.	CASE DIAMETER		100	160	A	101.5	162	B	51	49	D	132	196	E	90	88	F	3,5	3	G	13	15,5	H	4,5	6	P	116	178	T*	20	20
DIM.	CASE DIAMETER																																	
	100	160																																
A	101.5	162																																
B	51	49																																
D	132	196																																
E	90	88																																
F	3,5	3																																
G	13	15,5																																
H	4,5	6																																
P	116	178																																
T*	20	20																																

DIFFERENTIAL PRESSURE GAUGE TYPE PCD

TYPE	DRAWING	DIMENSIONS mm																																			
O <i>PCDxxxXO</i>		<table border="1" style="width: 100%; border-collapse: collapse;"> <thead> <tr> <th rowspan="2">DIM.</th> <th colspan="2">CASE DIAMETER</th> </tr> <tr> <th>100</th> <th>160</th> </tr> </thead> <tbody> <tr><td>A</td><td>101.5</td><td>162</td></tr> <tr><td>B</td><td>51</td><td>49</td></tr> <tr><td>C</td><td>13</td><td>13</td></tr> <tr><td>D</td><td>132</td><td>196</td></tr> <tr><td>E</td><td>90</td><td>120</td></tr> <tr><td>F</td><td>3,5</td><td>3</td></tr> <tr><td>G</td><td>13</td><td>15,5</td></tr> <tr><td>H</td><td>4,5</td><td>6</td></tr> <tr><td>P</td><td>116</td><td>178</td></tr> <tr><td>T*</td><td>20</td><td>20</td></tr> </tbody> </table> <p style="text-align: center; font-size: small;">* standard connection 1/2"BSP or 1/2"NPT</p>	DIM.	CASE DIAMETER		100	160	A	101.5	162	B	51	49	C	13	13	D	132	196	E	90	120	F	3,5	3	G	13	15,5	H	4,5	6	P	116	178	T*	20	20
DIM.	CASE DIAMETER																																				
	100	160																																			
A	101.5	162																																			
B	51	49																																			
C	13	13																																			
D	132	196																																			
E	90	120																																			
F	3,5	3																																			
G	13	15,5																																			
H	4,5	6																																			
P	116	178																																			
T*	20	20																																			
H <i>PCDxxxXH</i>		<table border="1" style="width: 100%; border-collapse: collapse;"> <thead> <tr> <th rowspan="2">DIM.</th> <th colspan="2">CASE DIAMETER</th> </tr> <tr> <th>100</th> <th>160</th> </tr> </thead> <tbody> <tr><td>A</td><td>101.5</td><td>162</td></tr> <tr><td>B</td><td>51</td><td>49</td></tr> <tr><td>D</td><td>110</td><td>180</td></tr> <tr><td>E</td><td>90</td><td>88</td></tr> <tr><td>F</td><td>3,5</td><td>3</td></tr> <tr><td>G</td><td>10,5</td><td>9</td></tr> <tr><td>T*</td><td>20</td><td>20</td></tr> </tbody> </table> <p style="text-align: center; font-size: small;">* standard connection 1/2"BSP or 1/2"NPT</p>	DIM.	CASE DIAMETER		100	160	A	101.5	162	B	51	49	D	110	180	E	90	88	F	3,5	3	G	10,5	9	T*	20	20									
DIM.	CASE DIAMETER																																				
	100	160																																			
A	101.5	162																																			
B	51	49																																			
D	110	180																																			
E	90	88																																			
F	3,5	3																																			
G	10,5	9																																			
T*	20	20																																			
Y <i>PCDxxxXY</i> pipe size: Ø44 - Ø70 mm		<table border="1" style="width: 100%; border-collapse: collapse;"> <thead> <tr> <th rowspan="2">DIM.</th> <th colspan="2">CASE DIAMETER</th> </tr> <tr> <th>100</th> <th>160</th> </tr> </thead> <tbody> <tr><td>A</td><td>101.5</td><td>162</td></tr> <tr><td>B</td><td>94**</td><td>92**</td></tr> <tr><td>C</td><td>56</td><td>56</td></tr> <tr><td>E</td><td>90</td><td>88</td></tr> <tr><td>T*</td><td>20</td><td>20</td></tr> </tbody> </table> <p style="text-align: center; font-size: small;">* standard connection 1/2"BSP or 1/2"NPT ** dimensions for 2" pipe size</p> <p style="text-align: center; font-size: small;">bracket for horizontal or vertical pipe mounting</p>	DIM.	CASE DIAMETER		100	160	A	101.5	162	B	94**	92**	C	56	56	E	90	88	T*	20	20															
DIM.	CASE DIAMETER																																				
	100	160																																			
A	101.5	162																																			
B	94**	92**																																			
C	56	56																																			
E	90	88																																			
T*	20	20																																			

DIFFERENTIAL PRESSURE GAUGE TYPE PMD

TYPE PMD, diaphragm system with two measuring chambers

STANDARD MODEL

Features : single diaphragm system
 high static pressure
 corrosion resistance
 two measuring chambers
 pressure safe upto the measuring range

Wetted parts : diaphragm duratherm
 AISI316L/1.4404; Viton

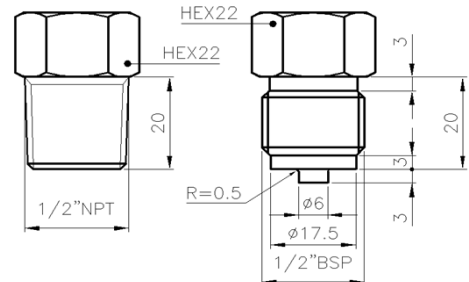
Applications : flow measurement
 petrol chemical industry
 filter applications
 general industry
 shipping industry
 off-shore



Example: PMD100XK with 1/2"NPT connections

Type	max. static pressure	Range
PMD100xx	max. 100 bar	0 - 0.6 upto 0 - 25 bar
PMD160xx	max. 100 bar	0 - 0.6 upto 0 - 25 bar
PMD100xx low	max. 100 bar	0 - 250 upto 0 - 400 mbar
PMD160xx low	max. 25 bar	0 - 25 upto 0 - 400 mbar

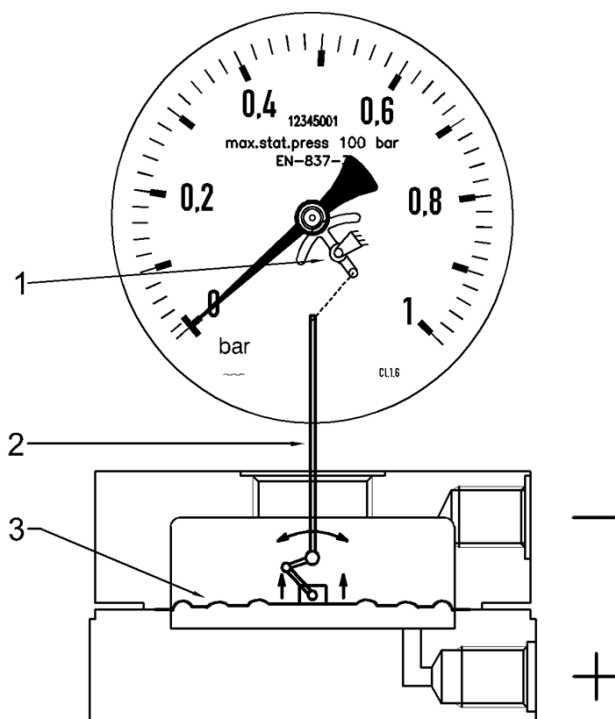
Standard connections



Options : other connections
 connections at 54 mm pitch for case 160 mm
 electrical contacts
 swivel adapters
 manifolds
 chemical seals
 special dials
 connections at 90° angle for case 160 mm

operating principle

- 1 pointer mechanism
- 2 connecting rod
- 3 sensing diaphragm

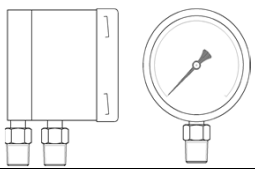
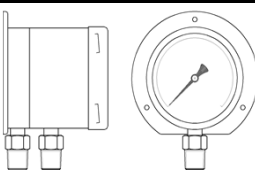
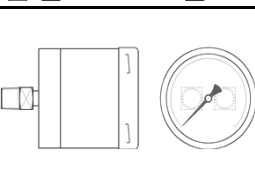
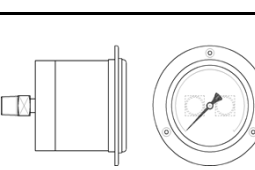
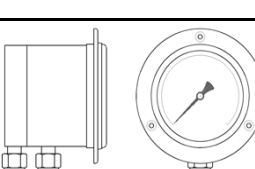
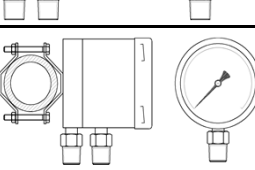


STAINLESS STEEL DIFFERENTIAL PRESSURE GAUGE, TYPE PMD

TYPE PMD, diaphragm system with two measuring chambers

STANDARD MODEL

CASE	: bayonet lock, AISI304/1.4301, IP-65	CONNECTION	: 2x ½"BSP or ½"NPT, AISI316L/1.4404
WETTED PARTS	: AISI316L/1.4404; diaphragm duratherm	MOVEMENT	: AISI304/1.4301
WINDOW	: safety glass	ACCURACY	: ± 1.6% F.S./class 1.6
DIAL	: aluminium, black figures on white	OPTIONS	: see page 57-58, electrical contacts and mechanical transmitters: see page 59-65
POINTER	: aluminium, black		

TYPE	MODEL	CASE DIAMETER xxx (Ø in mm)			
		100 250 upto 400 mbar, max. static press. 100 bar	100 0-0,6 upto 25 bar, max. static pressure 100 bar	160 0-25 upto 400 mbar, max. static pressure 25 bar	160 0-0,6 upto 25 bar, max. static pressure 100 bar
K		PMD100XK-low	PMD100XK	PMD160XK-low	PMD160XK
L		PMD100XL-low	PMD100XL	PMD160XL-low	PMD160XL
M		PMD100XM-low	PMD100XM	PMD160XM-low	PMD160XM
N		PMD100XN-low	PMD100XN	PMD160XN-low	PMD160XN
O		PMD100XO-low	PMD100XO	PMD160XO-low	PMD160XO
Y 2" Yoke vert or hor	 pipe Ø44 - Ø70 mm	PMD100XY-low	PMD100XY	PMD160XY-low	PMD160XY
OPTIONS		EXTRA COSTS			
Lx	LIQUID FILLED CASE: GLYCERINE (In combination with electrical device: Ondina oil see page 64)	PMD100Lx-low	PMD100Lx	PMD160Lx-low	PMD160Lx
"Hz" CONTACT DEVICE	EXCLUDING "Hz" CONTACT (see page 59-63)	O.D.		O.D.	

DIFFERENTIAL PRESSURE GAUGE TYPE PMD

TYPE	DRAWING	DIMENSIONS mm																																																											
K PMDxxxXK (-low)		<table border="1" style="width: 100%; border-collapse: collapse; text-align: center;"> <thead> <tr style="background-color: #e0f2f1;"> <th rowspan="2">DIM.</th> <th colspan="5">CASE DIAMETER</th> </tr> <tr style="background-color: #e0f2f1;"> <th>100 low</th> <th>100</th> <th>160 low</th> <th>160</th> <th>+ CONTACT</th> </tr> </thead> <tbody> <tr> <td>A</td> <td>101.5</td> <td>101.5</td> <td>162</td> <td>162</td> <td></td> </tr> <tr> <td>B</td> <td>108</td> <td>108</td> <td>112</td> <td>100</td> <td>+63</td> </tr> <tr> <td>C</td> <td>10.5</td> <td>10.5</td> <td>10.5</td> <td>10.5</td> <td></td> </tr> <tr> <td>E</td> <td>90</td> <td>90</td> <td>119</td> <td>119</td> <td></td> </tr> <tr> <td>T*</td> <td>20</td> <td>20</td> <td>20</td> <td>20</td> <td></td> </tr> </tbody> </table> <p style="font-size: small; text-align: center;">* standard connection 1/2"BSP or 1/2"NPT</p>	DIM.	CASE DIAMETER					100 low	100	160 low	160	+ CONTACT	A	101.5	101.5	162	162		B	108	108	112	100	+63	C	10.5	10.5	10.5	10.5		E	90	90	119	119		T*	20	20	20	20																			
DIM.	CASE DIAMETER																																																												
	100 low	100	160 low	160	+ CONTACT																																																								
A	101.5	101.5	162	162																																																									
B	108	108	112	100	+63																																																								
C	10.5	10.5	10.5	10.5																																																									
E	90	90	119	119																																																									
T*	20	20	20	20																																																									
L PMDxxxXL (-low)		<table border="1" style="width: 100%; border-collapse: collapse; text-align: center;"> <thead> <tr style="background-color: #e0f2f1;"> <th rowspan="2">DIM.</th> <th colspan="5">CASE DIAMETER</th> </tr> <tr style="background-color: #e0f2f1;"> <th>100 low</th> <th>100</th> <th>160 low</th> <th>160</th> <th>+ CONTACT</th> </tr> </thead> <tbody> <tr> <td>A</td> <td>101.5</td> <td>101.5</td> <td>162</td> <td>162</td> <td></td> </tr> <tr> <td>B</td> <td>110</td> <td>110</td> <td>121</td> <td>103</td> <td>+63</td> </tr> <tr> <td>C</td> <td>13.5</td> <td>13.5</td> <td>19.5</td> <td>13.5</td> <td></td> </tr> <tr> <td>D</td> <td>132</td> <td>132</td> <td>196</td> <td>196</td> <td></td> </tr> <tr> <td>E</td> <td>90</td> <td>90</td> <td>119</td> <td>119</td> <td></td> </tr> <tr> <td>P</td> <td>116</td> <td>116</td> <td>178</td> <td>178</td> <td></td> </tr> <tr> <td>H</td> <td>4.8</td> <td>4.8</td> <td>5.8</td> <td>5.8</td> <td></td> </tr> <tr> <td>T*</td> <td>20</td> <td>20</td> <td>20</td> <td>20</td> <td></td> </tr> </tbody> </table> <p style="font-size: small; text-align: center;">* standard connection 1/2"BSP or 1/2"NPT</p>	DIM.	CASE DIAMETER					100 low	100	160 low	160	+ CONTACT	A	101.5	101.5	162	162		B	110	110	121	103	+63	C	13.5	13.5	19.5	13.5		D	132	132	196	196		E	90	90	119	119		P	116	116	178	178		H	4.8	4.8	5.8	5.8		T*	20	20	20	20	
DIM.	CASE DIAMETER																																																												
	100 low	100	160 low	160	+ CONTACT																																																								
A	101.5	101.5	162	162																																																									
B	110	110	121	103	+63																																																								
C	13.5	13.5	19.5	13.5																																																									
D	132	132	196	196																																																									
E	90	90	119	119																																																									
P	116	116	178	178																																																									
H	4.8	4.8	5.8	5.8																																																									
T*	20	20	20	20																																																									
M PMDxxxXM (-low)		<table border="1" style="width: 100%; border-collapse: collapse; text-align: center;"> <thead> <tr style="background-color: #e0f2f1;"> <th rowspan="2">DIM.</th> <th colspan="5">CASE DIAMETER</th> </tr> <tr style="background-color: #e0f2f1;"> <th>100 low</th> <th>100</th> <th>160 low</th> <th>160</th> <th>+ CONTACT</th> </tr> </thead> <tbody> <tr> <td>A</td> <td>101.5</td> <td>101.5</td> <td>162</td> <td>162</td> <td></td> </tr> <tr> <td>B</td> <td>108</td> <td>108</td> <td>112</td> <td>100</td> <td>+63</td> </tr> <tr> <td>E</td> <td>148</td> <td>148</td> <td>152</td> <td>140</td> <td>+63</td> </tr> <tr> <td>T*</td> <td>20</td> <td>20</td> <td>20</td> <td>20</td> <td></td> </tr> </tbody> </table> <p style="font-size: small; text-align: center;">* standard connection 1/2"BSP or 1/2"NPT</p>	DIM.	CASE DIAMETER					100 low	100	160 low	160	+ CONTACT	A	101.5	101.5	162	162		B	108	108	112	100	+63	E	148	148	152	140	+63	T*	20	20	20	20																									
DIM.	CASE DIAMETER																																																												
	100 low	100	160 low	160	+ CONTACT																																																								
A	101.5	101.5	162	162																																																									
B	108	108	112	100	+63																																																								
E	148	148	152	140	+63																																																								
T*	20	20	20	20																																																									

DIFFERENTIAL PRESSURE GAUGE TYPE PMD

TYPE	DRAWING	DIMENSIONS mm																																																																							
N PMDxxxXN (-low)		<table border="1" style="width: 100%; border-collapse: collapse;"> <thead> <tr style="background-color: #008080; color: white;"> <th rowspan="2">DIM.</th> <th colspan="5">CASE DIAMETER</th> </tr> <tr style="background-color: #008080; color: white;"> <th>100 low</th> <th>100</th> <th>160 low</th> <th>160</th> <th>+ CONTACT</th> </tr> </thead> <tbody> <tr><td>A</td><td>101.5</td><td>101.5</td><td>162</td><td>162</td><td></td></tr> <tr><td>B</td><td>108</td><td>108</td><td>112</td><td>100</td><td>+63</td></tr> <tr><td>D</td><td>132</td><td>132</td><td>196</td><td>196</td><td></td></tr> <tr><td>E</td><td>148</td><td>148</td><td>152</td><td>140</td><td>+63</td></tr> <tr><td>F</td><td>3.5</td><td>3.5</td><td>3</td><td>3</td><td></td></tr> <tr><td>G</td><td>13</td><td>13</td><td>15.5</td><td>15.5</td><td></td></tr> <tr><td>H</td><td>4.5</td><td>4.5</td><td>6</td><td>6</td><td></td></tr> <tr><td>P</td><td>116</td><td>116</td><td>178</td><td>178</td><td></td></tr> <tr><td>T*</td><td>20</td><td>20</td><td>20</td><td>20</td><td></td></tr> </tbody> </table> <p style="text-align: center; font-size: small;">* standard connection 1/2"BSP or 1/2"NPT</p>	DIM.	CASE DIAMETER					100 low	100	160 low	160	+ CONTACT	A	101.5	101.5	162	162		B	108	108	112	100	+63	D	132	132	196	196		E	148	148	152	140	+63	F	3.5	3.5	3	3		G	13	13	15.5	15.5		H	4.5	4.5	6	6		P	116	116	178	178		T*	20	20	20	20							
DIM.	CASE DIAMETER																																																																								
	100 low	100	160 low	160	+ CONTACT																																																																				
A	101.5	101.5	162	162																																																																					
B	108	108	112	100	+63																																																																				
D	132	132	196	196																																																																					
E	148	148	152	140	+63																																																																				
F	3.5	3.5	3	3																																																																					
G	13	13	15.5	15.5																																																																					
H	4.5	4.5	6	6																																																																					
P	116	116	178	178																																																																					
T*	20	20	20	20																																																																					
O PMDxxxXO (-low)		<table border="1" style="width: 100%; border-collapse: collapse;"> <thead> <tr style="background-color: #008080; color: white;"> <th rowspan="2">DIM.</th> <th colspan="5">CASE DIAMETER</th> </tr> <tr style="background-color: #008080; color: white;"> <th>100 low</th> <th>100</th> <th>160 low</th> <th>160</th> <th>+ CONTACT</th> </tr> </thead> <tbody> <tr><td>A</td><td>101.5</td><td>101.5</td><td>162</td><td>162</td><td></td></tr> <tr><td>B</td><td>108</td><td>108</td><td>112</td><td>100</td><td>+63</td></tr> <tr><td>C</td><td>10.5</td><td>10.5</td><td>10.5</td><td>10.5</td><td></td></tr> <tr><td>D</td><td>132</td><td>132</td><td>196</td><td>196</td><td></td></tr> <tr><td>E</td><td>90</td><td>90</td><td>119</td><td>119</td><td></td></tr> <tr><td>F</td><td>3.5</td><td>3.5</td><td>3</td><td>3</td><td></td></tr> <tr><td>G</td><td>13</td><td>13</td><td>15.5</td><td>15.5</td><td></td></tr> <tr><td>H</td><td>4.5</td><td>4.5</td><td>6</td><td>6</td><td></td></tr> <tr><td>P</td><td>116</td><td>116</td><td>178</td><td>178</td><td></td></tr> <tr><td>T*</td><td>20</td><td>20</td><td>20</td><td>20</td><td></td></tr> </tbody> </table> <p style="text-align: center; font-size: small;">* standard connection 1/2"BSP or 1/2"NPT</p>	DIM.	CASE DIAMETER					100 low	100	160 low	160	+ CONTACT	A	101.5	101.5	162	162		B	108	108	112	100	+63	C	10.5	10.5	10.5	10.5		D	132	132	196	196		E	90	90	119	119		F	3.5	3.5	3	3		G	13	13	15.5	15.5		H	4.5	4.5	6	6		P	116	116	178	178		T*	20	20	20	20	
DIM.	CASE DIAMETER																																																																								
	100 low	100	160 low	160	+ CONTACT																																																																				
A	101.5	101.5	162	162																																																																					
B	108	108	112	100	+63																																																																				
C	10.5	10.5	10.5	10.5																																																																					
D	132	132	196	196																																																																					
E	90	90	119	119																																																																					
F	3.5	3.5	3	3																																																																					
G	13	13	15.5	15.5																																																																					
H	4.5	4.5	6	6																																																																					
P	116	116	178	178																																																																					
T*	20	20	20	20																																																																					
Y PMDxxxXY (-low) pipe size: 44 - 70 mm	<p style="text-align: center; font-size: small;">bracket for horizontal or vertical pipe mounting</p>	<table border="1" style="width: 100%; border-collapse: collapse;"> <thead> <tr style="background-color: #008080; color: white;"> <th rowspan="2">DIM.</th> <th colspan="5">CASE DIAMETER</th> </tr> <tr style="background-color: #008080; color: white;"> <th>100 low</th> <th>100</th> <th>160 low</th> <th>160</th> <th>+ CONTACT</th> </tr> </thead> <tbody> <tr><td>A</td><td>101.5</td><td>101.5</td><td>162</td><td>162</td><td></td></tr> <tr><td>B</td><td>150**</td><td>150**</td><td>154**</td><td>143**</td><td>+63**</td></tr> <tr><td>C</td><td>48**</td><td>48**</td><td>48**</td><td>48**</td><td></td></tr> <tr><td>E</td><td>90</td><td>90</td><td>119</td><td>119</td><td></td></tr> <tr><td>T*</td><td>20</td><td>20</td><td>20</td><td>20</td><td></td></tr> </tbody> </table> <p style="text-align: center; font-size: small;">* standard connection 1/2"BSP or 1/2"NPT ** dimensions for 2" pipe size</p>	DIM.	CASE DIAMETER					100 low	100	160 low	160	+ CONTACT	A	101.5	101.5	162	162		B	150**	150**	154**	143**	+63**	C	48**	48**	48**	48**		E	90	90	119	119		T*	20	20	20	20																															
DIM.	CASE DIAMETER																																																																								
	100 low	100	160 low	160	+ CONTACT																																																																				
A	101.5	101.5	162	162																																																																					
B	150**	150**	154**	143**	+63**																																																																				
C	48**	48**	48**	48**																																																																					
E	90	90	119	119																																																																					
T*	20	20	20	20																																																																					

DIFFERENTIAL PRESSURE GAUGE TYPE POD

TYPE POD, double diaphragm system overload safe upto 100 (250) bar

STANDARD MODEL

Features : double diaphragm system (DP cell)
 static pressure max. 100 bar
 two measuring chambers
both sides over pressure safe upto 100 bar (static pressure)
 corrosion resistance
 connections at 54 mm pitch

Wetted parts : diaphragms duratherm
 AISI316L/1.4404; Viton

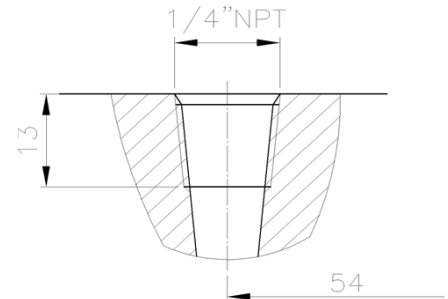


Example: POD100XK

Applications : flow measurement
 petrol chemical industry
 filter applications
 general industry
 shipping industry
 off-shore

Type	max. static pressure	Range
POD100xx-low	max. 100 bar	0 - 100 mbar upto
POD160xx-low		0 - 600 mbar
POD100xx	max. 100 bar	0 - 1 bar upto
POD160xx		0 - 25 bar

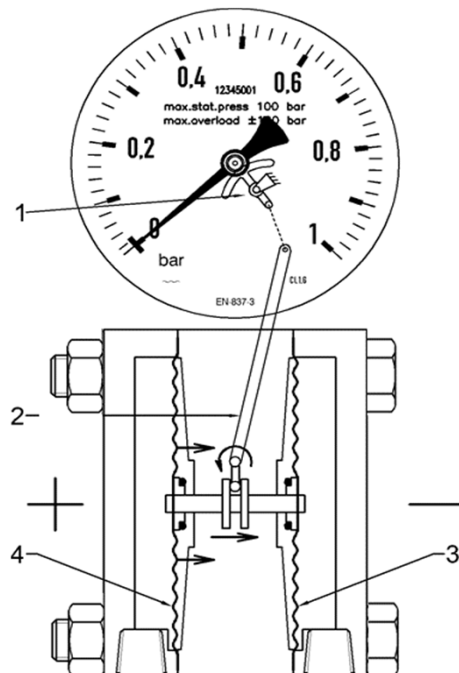
standard connections



Options : other connections (adapters)
 swivel adapters
 manifolds
 chemical seals
 electrical contacts
 special dials
 static pressure max. 250 bar

operating principle

- 1 pointer mechanism
- 2 connecting rod
- 3 - sensing diaphragm
- 4 + sensing diaphragm

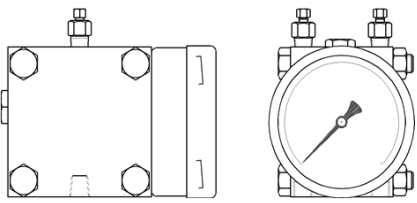
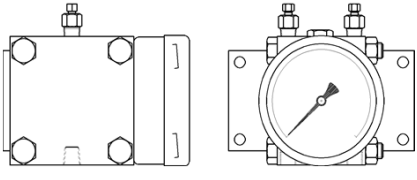
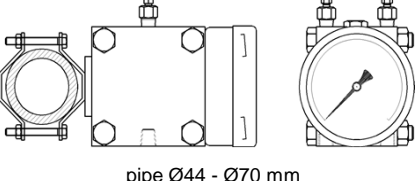


STAINLESS STEEL DIFFERENTIAL PRESSURE GAUGE, TYPE POD

**TYPE POD, with double diaphragm system, max. st. press. 100 bar
max. overload 100 bar on both sides**

STANDARD MODEL

CASE	: bayonet lock, AISI304/1.4301, IP-65	MOVEMENT	: AISI304/1.4301
WETTED PARTS	: diaphragms duratherm other AISI316L/1.4404/1.4435	ACCURACY	: ± 1.6% F.S./class 1.6
WINDOW	: safety glass	STATIC PRESS.	: max. 100 bar
DIAL	: aluminium, black figures on white	OVERLOAD	: both sides upto 100 bar *
POINTER	: aluminium, black	APPLICATION	: general and heavy industry
CONNECTION	: 2 x ¼"NPT female, AISI316L/1.4404 at pitch 54 mm	OPTIONS	: see page 57-58 electrical contacts see page 59-64 (excluding Q type contacts)

TYPE	MODEL	CASE DIAMETER (Ø in mm)			
		100 100 upto 600 mbar	100 1 upto 25 bar	160 100 upto 600 mbar	160 1 upto 25 bar
K		POD100XK-low	POD100XK	POD160XK-low	POD160XK
L		POD100XL-low	POD100XL	POD160XL-low	POD160XL
Y 2" Yoke vert. or hor.	 pipe Ø44 - Ø70 mm	POD100XY-low	POD100XY	POD160XY-low	POD160XY
OPTION		EXTRA COSTS			
Lx	ONDINA OIL FILLED CASE	POD100Lx-low	POD100Lx	POD160Lx-low	POD160Lx
* STATIC PRESSURE 250 BAR	STATIC PRESSURE UPTO 250 BAR both sides overload save upto 250 bar	x	O.D.	x	O.D.
CONNECTION	2x ½"BSP or ½"NPT male				
"Hz" CONTACT DEVICE	EXCLUDING "Hz" CONTACT (see page 59-62)	O.D.		O.D.	

DIFFERENTIAL PRESSURE GAUGE TYPE POD

TYPE	DRAWING	DIMENSIONS mm																																		
K PODxxxXKlow PODxxxXK		<table border="1" style="width: 100%; border-collapse: collapse; text-align: center;"> <thead> <tr style="background-color: #008080; color: white;"> <th rowspan="2">DIM.</th> <th colspan="4">CASE DIAMETER</th> </tr> <tr style="background-color: #008080; color: white;"> <th>100</th> <th>160</th> <th>100 mm + contact</th> <th>160 mm + contact</th> </tr> </thead> <tbody> <tr> <td>A</td> <td>101.5</td> <td>162</td> <td>101.5</td> <td>162</td> </tr> <tr> <td>B</td> <td>150</td> <td>150</td> <td>202</td> <td>205</td> </tr> <tr> <td>C</td> <td>49,5</td> <td>49,5</td> <td>49,5</td> <td>49,5</td> </tr> <tr> <td>E</td> <td>49,5</td> <td>49,5</td> <td>49,5</td> <td>49,5</td> </tr> <tr> <td>T*</td> <td>15</td> <td>15</td> <td>15</td> <td>15</td> </tr> </tbody> </table> <p style="text-align: center; font-size: small;">* standard connection 1/4"NPT female</p>	DIM.	CASE DIAMETER				100	160	100 mm + contact	160 mm + contact	A	101.5	162	101.5	162	B	150	150	202	205	C	49,5	49,5	49,5	49,5	E	49,5	49,5	49,5	49,5	T*	15	15	15	15
DIM.	CASE DIAMETER																																			
	100	160	100 mm + contact	160 mm + contact																																
A	101.5	162	101.5	162																																
B	150	150	202	205																																
C	49,5	49,5	49,5	49,5																																
E	49,5	49,5	49,5	49,5																																
T*	15	15	15	15																																
L PODxxxXLlow PODxxxXL		<table border="1" style="width: 100%; border-collapse: collapse; text-align: center;"> <thead> <tr style="background-color: #008080; color: white;"> <th rowspan="2">DIM.</th> <th colspan="4">CASE DIAMETER</th> </tr> <tr style="background-color: #008080; color: white;"> <th>100</th> <th>160</th> <th>100 mm + contact</th> <th>160 mm + contact</th> </tr> </thead> <tbody> <tr> <td>A</td> <td>101.5</td> <td>162</td> <td>101.5</td> <td>162</td> </tr> <tr> <td>B</td> <td>150</td> <td>150</td> <td>202</td> <td>205</td> </tr> <tr> <td>C</td> <td>54,5</td> <td>54,5</td> <td>54,5</td> <td>54,5</td> </tr> <tr> <td>E</td> <td>49,5</td> <td>49,5</td> <td>49,5</td> <td>49,5</td> </tr> <tr> <td>T*</td> <td>15</td> <td>15</td> <td>15</td> <td>15</td> </tr> </tbody> </table> <p style="text-align: center; font-size: small;">* standard connection 1/4"NPT female</p>	DIM.	CASE DIAMETER				100	160	100 mm + contact	160 mm + contact	A	101.5	162	101.5	162	B	150	150	202	205	C	54,5	54,5	54,5	54,5	E	49,5	49,5	49,5	49,5	T*	15	15	15	15
DIM.	CASE DIAMETER																																			
	100	160	100 mm + contact	160 mm + contact																																
A	101.5	162	101.5	162																																
B	150	150	202	205																																
C	54,5	54,5	54,5	54,5																																
E	49,5	49,5	49,5	49,5																																
T*	15	15	15	15																																
Y PODxxxXYlow PODxxxXY pipe size: Ø44 - Ø70 mm	<p style="text-align: center; font-size: small;">bracket for horizontal or vertical pipe mounting</p>	<table border="1" style="width: 100%; border-collapse: collapse; text-align: center;"> <thead> <tr style="background-color: #008080; color: white;"> <th rowspan="2">DIM.</th> <th colspan="4">CASE DIAMETER</th> </tr> <tr style="background-color: #008080; color: white;"> <th>100</th> <th>160</th> <th>100 mm + contact</th> <th>160 mm + contact</th> </tr> </thead> <tbody> <tr> <td>A</td> <td>101.5</td> <td>162</td> <td>101.5</td> <td>162</td> </tr> <tr> <td>B</td> <td>189**</td> <td>189**</td> <td>241**</td> <td>244**</td> </tr> <tr> <td>C</td> <td>88,5**</td> <td>88,5**</td> <td>88,5**</td> <td>88,5**</td> </tr> <tr> <td>E</td> <td>64,5</td> <td>64,5</td> <td>64,5</td> <td>64,5</td> </tr> <tr> <td>T*</td> <td>15</td> <td>15</td> <td>15</td> <td>15</td> </tr> </tbody> </table> <p style="text-align: center; font-size: small;">* standard connection 1/4"NPT female ** dimensions for 2" pipe size</p>	DIM.	CASE DIAMETER				100	160	100 mm + contact	160 mm + contact	A	101.5	162	101.5	162	B	189**	189**	241**	244**	C	88,5**	88,5**	88,5**	88,5**	E	64,5	64,5	64,5	64,5	T*	15	15	15	15
DIM.	CASE DIAMETER																																			
	100	160	100 mm + contact	160 mm + contact																																
A	101.5	162	101.5	162																																
B	189**	189**	241**	244**																																
C	88,5**	88,5**	88,5**	88,5**																																
E	64,5	64,5	64,5	64,5																																
T*	15	15	15	15																																

DIFFERENTIAL PRESSURE GAUGE TYPE POD-HS

TYPE POD-HS, double diaphragm system overload safe upto 250 bar (400 bar)

HIGH STATIC PRESSURE MODEL

Features : two flexible stainless steel diaphragms
 max. static pressure 250 or 400 bar
 rinseable pressure chambers
both sides over pressure safe upto the static pressure (250 or 400 bar)
 high corrosion resistance
 connections at 54 mm pitch

Wetted parts : AISI316L / 1.4404

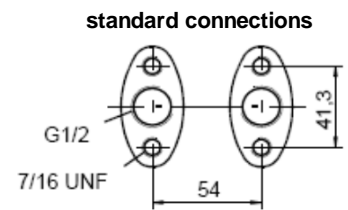
Diaphragms : 0 - 400 mbar - AISI316Ti / 1.4571
 0.6 - 25 bar - Duratherm ®



Example: POD-HS160XK

Applications : gas plants
 chemical industry
 general industry
 off-shore

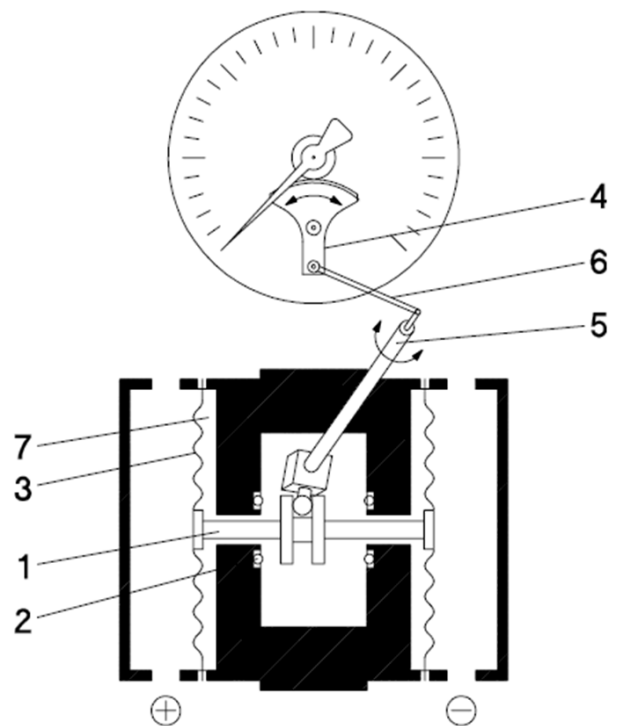
Type	max. static pressure	Range
POD-HS100xx-low	max. 250 bar / 400 bar	0 - 60 mbar upto
POD-HS160xx-low		0 - 400 mbar
POD-HS100xx	max. 250 bar / 400 bar	0 - 0.6 bar upto
POD-HS160xx		0 - 25 bar



Options : other connections (adapters)
 swivel adapters
 manifolds
 chemical seals
 electrical contacts
 special dials
static pressure max. 400 bar

operating principle:

- 1 - connecting rod
- 2 - O-ring, overpressure safety device
- 3 - sensing diaphragm
- 4 - movement
- 5 - measuring shaft
- 6 - lever
- 7 - pressure transfer liquid



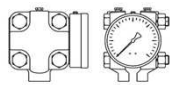
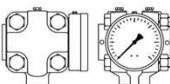
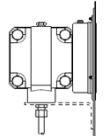
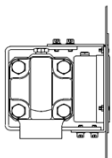
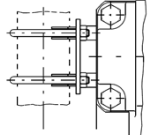
DIFFERENTIAL PRESSURE GAUGE TYPE POD-HS

1

TYPE POD-HS, double diaphragm system overload safe upto 250 bar (optional 400 bar)

HIGH STATIC PRESSURE MODEL

CASE	: bayonet lock, AISI304/1.4301, IP-54 : with casefilling, IP-65	MOVEMENT	: AISI304/1.4301
DIAPHRAGMS	: 0 - 400 mbar - diaphragms 1.4571 : 0.6 - 25 bar - diaphragms Duratherm	ACCURACY	: ± 1.6% F.S./class 1.6
OTHER WETTED PARTS	: AISI316L / 1.4404	STATIC PRESS.	: max. 250 bar (optional 400 bar)
WINDOW	: laminated safety glass	OVERLOAD	: both sides upto 250 bar
DIAL	: aluminium, black figures on white	APPLICATION	: general and heavy industry
POINTER	: aluminium, black	AMBIENT TEMP.	: -20 / +80 °C
STANDARD CONNECTION	: 2 x 1/2 " BSP female, : AISI316L/1.4404 at pitch 54 mm	PROCESS TEMP.	: -20 / +80 °C
GASKETS	: Viton ® O-Rings	ZERO ADJUSTMENT	: max. 30 % F.S.

TYPE	MODEL	CASE DIAMETER			
		Ø 100 mm		Ø 160mm	
		range		range	
		0-60 mbar upto 400 mbar	0-0.6 bar upto 25 bar	0-60 mbar upto 400 mbar	0-0.6 bar upto 25 bar
XK		POD-HS100XK-low	POD-HS100XK	POD-HS160XK-low	POD-HS160XK
XL		POD-HS100XL-low	POD-HS100XL	POD-HS160XL-low	POD-HS160XL
XD		POD-HS100XD-low	POD-HS100XD	POD-HS160XD-low	POD-HS160XD
XH		POD-HS100XH-low	POD-HS100XH	POD-HS160XH-low	POD-HS160XH
XY		POD-HS100XY-low	POD-HS100XY	POD-HS100XY-low	POD-HS160XY

OPTIONS

Other materials: Hastelloy	<i>Hastelloy diaphragm (according to NACE - MR-01-03)</i>	on demand
	<i>Hastelloy wetted parts (according to NACE - MR-01-75)</i>	
400 BAR STATIC	<i>Max. static pressure 400 bar and both sides overload safe upto 400 bar</i>	
OTHER CONNECTIONS	<i>ON DEMAND</i>	
POINTERS	<i>DRAG POINTER ADJUSTABLE POINTER</i>	
Lx	<i>GLYCERINE FILLED CASE e.g. POD-HS-160LL</i>	
	<i>In combination with electrical contact Ondina oil</i>	

STANDARD PRESSURE RANGES FOR TYPES:

PBX, PBX-TG, PBX-SF, PBB, PMX, PPB, PBS, PFS, PBQ, PFQ, PBR, PBT, RPX, RPP, PBX-SS, DIFFERENTIAL PRESSURE GAUGES

PRESSURE RANGES				EXTRA COSTS											
(in bar)*****	SCALE DIVISION			CASE DIMENSIONS (in mm)											
	cl. 1.0 cl. 1.6	OPTION		Ø 63	Ø 80	Ø 100	Ø 160	Ø 250	72x72	96x96	144x144	192x192 280x280 380x380 400x300 500x400	72x144 144x72	192x96 96x192	
		cl. 0.6 cl. 0.5	only PBX-TG cl. 0.3 cl. 0.25												
-1 ...0	0.02	0.005	0.005												
-1 ...0.6	0.05	0.01	0.005												
-1 ...1.5	0.05	0.02	0.01												
-1 ...3	0.1	0.02	0.01												
-1 ...5	0.1	0.05	0.02												
-1 ...9	0.2	0.05	0.05												
-1 ...15	0.5	0.1	0.05												
-1 ...24	0.5	0.2	0.1												
0 ...0.6	0.01	x	x												
0 ...1	0.02	0.005	0.005												
0 ...1.6	0.05	0.01	0.005												
0 ...2.5	0.05	0.02	0.01												
0 ...4	0.1	0.02	0.01												
0 ...6	0.1	0.05	0.02												
0 ...10	0.2	0.05	0.05												
0 ...16	0.5	0.1	0.05												
0 ...25	0.5	0.2	0.1												
0 ...40	1	0.2	0.1												
0 ...60	1	0.5	0.2												
0 ...100	2	0.5	0.5												
0 ...160	5	1	0.5												
0 ...250 CE	5	2	1												
0 ...400 CE	10	2	1												
0 ...600 CE	10	5	2												
0 ...1000 CE	20	5	5												
0 ...1600 CE	50	x	x	x	x				x				x	x	
0 ...2000 CE	50	x	x	x	x			x	x	x	x	x	x	x	x
0 ...2500* CE	50	x	x	x	x			x	x	x	x	x	x	x	x
0 ...3000* CE	50	x	x	x	x			x	x	x	x	x	x	x	x
0 ...4000** CE	50	x	x	x	x		See p14	x	x	x	x	x	x	x	x
0 ...5000***, 0 ... 6000*** and 0 ...7000*** - see page 14 CE															
NON STANDARD RANGES															
e.g. 0-7 bar or 0-110 psi															
DOUBLE SCALES															
e.g. bar/psi, bar/kPa, etc.															
FREON SCALES e.g. R12, R134A, R22, R404A, R407C, R502, R504, R717, NH3															
ACCURACY															
±1.6% F.S. (class 1.6)				•	•	x	x	x	•	•	x	x	x	x	
±1.0% F.S. (class 1.0)						•	•	•			•	•	•	•	
±0.6 / 0.5 %F.S. (class 0.6 or 0.5)***				x	x				x	x					
±0.3 / 0.25 %F.S. (class 0.3 or 0.25) ****				x	x	x	****	****	x	x	x	x	x	x	
Mirrorscale (standard for PBX-TG, page 12)				x	x	x			x	x	x	x	x	x	
TRM scales															
0 ...100 % lin.															
0 ...10 square root															
0.2 ...1 bar															
3 ...15 psi															
20 ...100 kPa															
x	NOT AVAILABLE			* ELEMENT CrMo52 i.o. AISI316Ti/1.4571				*** ONLY FOR TYPE PBX OR PBX-SF							
•	STANDARD			** ELEMENT NiSpan C i.o. AISI316Ti/1.4571				****ONLY FOR TYPE PBX-TG - see page 12							
***** Scale in Psi, kPa, kg/cm², mWC etc. available with no extra charge															

STANDARD PRESSURE RANGES FOR TYPES: PCX, PMX, PPC, PCD, PMD

PRESSURE RANGES												
(in mbar) **		SCALE DIVISION		CASE DIMENSIONS (in mm)								
		cl. 1.6	option cl. 1.0	Ø 100	Ø 160	Ø 250	72x72	96x96	144x144	192x192	72x144 144x72	192x96 96x192
-4 ...0*	0 ...4*	0.1	0.1	x	•	x	x	x	•	•	x	•
-6 ...0*	0 ...6*	0.1	0.1	x	•	x	x	x	•	•	x	•
-10 ...0*	0 ...10*	0.2	0.2	x	•	x	x	x	•	•	•	•
-16 ...0*	0 ...16*	0.5	0.5	x	•	x	x	x	•	•	•	•
-25 ...0	0 ...25	0.5	0.5	•	•	•	x	•	•	•	•	•
-40 ...0	0 ...40	1	1	•	•	•	•	•	•	•	•	•
-60 ...0	0 ...60	1	1	•	•	•	•	•	•	•	•	•
-100 ...0	0 ...100	2	2	•	•	•	•	•	•	•	•	•
-160 ...0	0 ...160	5	5	•	•	•	•	•	•	•	•	•
-250 ...0	0 ...250	5	5	•	•	•	•	•	•	•	•	•
-400 ...0	0 ...400	10	10	•	•	•	•	•	•	•	•	•
-2.5 ...1.5*	-1.5 ...2.5*	0.1	0.1	x	•	x	x	x	•	•	x	•
-4 ...2*	-2 ...4*	0.1	0.1	x	•	x	x	x	•	•	x	•
-6 ...4*	-4 ...6*	0.2	0.2	x	•	x	x	x	•	•	•	•
-10 ...6*	-6 ...10*	0.5	0.5	x	•	x	x	x	•	•	•	•
-15 ...10	-10 ...15	0.5	0.5	•	•	•	x	•	•	•	•	•
-25 ...15	-15 ...25	1	1	•	•	•	•	•	•	•	•	•
-40 ...20	-20 ...40	1	1	•	•	•	•	•	•	•	•	•
-60 ...40	-40 ...60	2	2	•	•	•	•	•	•	•	•	•
-100 ...60	-60 ...100	5	5	•	•	•	•	•	•	•	•	•
-150 ...100	-100 ...150	5	5	•	•	•	•	•	•	•	•	•
-250 ...150	-150 ...250	10	10	•	•	•	•	•	•	•	•	•
NON STANDARD RANGES:												
e.g. 0-50 mbar etc.												
DOUBLE SCALES												
e.g. mbar/mmWC, mbar/Pa, etc.												
ACCURACY												
±1.6% F.S. / class 1.6				•	•	•	•	•	•	•	•	•
±1.0% F.S. / class 1.0 *							x				x	x
Mirrorscale				x			x	x	x	x	x	x

NOT AVAILABLE STANDARD

* not for type PMX and ALL differential pressure gauges

** Scale in psi, kPa, kg/cm², mWC etc. available with no extra charge

MARKING FOR PRESSURE GAUGES

OPTIONS	EXTRA PRICE
TAG number on dial	
TAG number on AISI304/1.4301 TAG plate 55x25 mm	
Lettering on dial	
Red mark on dial	

CERTIFICATES FOR PRESSURE GAUGES

TYPE OF CERTIFICATE	NET PRICES
Certificate of Conformity acc. to EN 10204 2.2.	
Material certificate wetted parts acc. to EN 10204 3.1	
ATEX certification, including ATEX on the dial; only possible with STIKO logo for gauges without contact INSTRUMENTS WITH ATEX CERTIFICATION SHALL ALSO HAVE SAFETY GLASS AND A BLOW - OUT	PER ORDER
ATEX certification, including ATEX on the dial; only possible with STIKO logo for gauges with inductive contact INSTRUMENTS WITH ATEX CERTIFICATION SHALL ALSO HAVE SAFETY GLASS AND A BLOW - OUT	PER INSTRUMENT
Pressure (Bar)	<=2500 2500-4000 >=4000
Calibration certificate pressure gauge (standard for PBX-TG - see page 12)	Certificate traceable to international standards
Calibration certificate pressure gauge with transmitter (see page 64)	
Calibration certificates for type PBB (duplex)	

OPTIONS ON PRESSURE GAUGES

TYPE	CASE DIMENSIONS (in mm)	EXTRA COSTS							
		CONNECTIONS						CASE & BEZEL	
		1/8" BSP/NPT max. 400 bar	1/4" BSP/NPT max. 1000 bar	1/2" BSP max. 2500 bar***, 1/2" NPT max. 1000 bar	3/8" BSP/NPT max. 1000 bar	M20x1.5 max. 1600 bar	M16x1.5 H.P. female max. 7000 bar**	9/16" UNF x 18 H.P. female max. 7000 bar**	AISI316L / 1.4404
PBX	063		•						×
	080		•					×	×
	100			•					
	160			•				*	*
	250			•				×	×
PBX-SF	063		•					○	×
	100			•				○	
	160			•				○	
PBB	100			•				×	×
	160			•				×	×
PCX	100			•			×	×	
	160			•			×	×	
	250			•			×	×	×
PMX	100			•			×	×	×
	160			•			×	×	×
PPB - PPC	square		•				×	×	×
	rectangular		•				×	×	×
PBS - PBQ	063	ON DEMAND: SEE ALSO PAGE 23-41							
PFS - PFQ	080							×	×
	100								
	160								
PBR - PBT	100	SEE PAGE 42-43							×
	160								×
PCD	100			•			×	×	
	160			•			×	×	
PBD	100			•			×	×	×
	160			•			×	×	×
PMD	100			•			×	×	
	160			•			×	×	×
POD	100						×	×	×
	160						×	×	*
RPX	ALL			•				×	×
PBX-SS	063		•					•	•
	100			•				•	•
	160			•				•	•

× NOT AVAILABLE
 • STANDARD
 ○ ON DEMAND
 * Not possible in combinations with contacts or transmitters
 ** Not available with pulsation damper
 *** As per DIN16001

OPTIONS ON PRESSURE GAUGES

TYPE	CASE DIMENSIONS (in mm)	EXTRA COSTS													
		WINDOW MATERIAL			BLOW- OUT		POINTERS					MEASURING SYSTEM			
		PMMA - PLEXIGLASS	SECURIT	LAMINATED SAFETY GLASS	DISC	PLUG * (LIQUID FILLED)	ADJUSTABLE	INDEX POINTER ON GLASS	DRAG POINTER		DRAG POINTER in combination with HZ contact	OIL & GREASE FREE**	MONEL WETTED PARTS	PULSATION DAMPER AISI316 1.4401	OVERLOAD 2x F.S. other on demand
									Single	Double					
PBX	063				●	●					×	×			
	080				●	●					×	×			
	100				●	●									
	160				●	●									
	250				●	●					×		×		
PBX-SF	063	×	×	●	×	×					×	×			
	100	×	×	●	×	×					×				
	160	×	×	●	×	×					×				
PBB	100				●	●	×				×				
	160				●	●	×				×				
PCX	100				●	●				○	×	×	×	×	see page 16
	160				●	●				○	×	×	×	×	
	250				●	●				×	×	×	×	×	
PMX	100				●	●					×		×	×	see page 17-18
	160				●	●					×		×	×	
PPB	square	●	×	×	×	×					×		×		○
PPC	rectangular	●	×	×	×	×	×	×	×	×	×		×		○
PBS	063		×		●	●					×	×	○		○
PBQ	080		×	×	●	●					×	×	○		○
PFS	100				●	●					×		○		○
PFQ	160				●	●					×		○		○
PBR	100				●	●					×		○		○
PBT	160				●	●					×		○		○
PCD	100	×		×	×	×		×	×	×	×	×	×		see page 46
	160	×		×	×	×		×	×	×	×	×	×		
PBD	100				●	●					×		×		×
	160				●	●					×		×		×
PDD	100				●	●					×	×	×		×
PMD	160				●	●					×	×	×		×
POD	100				●	●					×	×	×	×	×
	160				●	●					×	×	×	×	×
RPX	ALL	●	see page 21,	×	×	×	●	×	×	×	×		×	×	
RPP		●	22	×	×	×	●	×	×	×	×		×	×	
PBX-SS	063	×	●	×	×	×		×	×	×	×				
	100	×	●	×	×	×		×	×	×	×				
	160	×	●	×	×	×		×	×	×	×				

× NOT AVAILABLE
 ● STANDARD
 ○ ON DEMAND
 * WITH COMPENSATING DIAPHRAGM
 ** Only PBX-SFxxxXX is suitable for use on oxygen!!