

bourdon tube pressure gauges standard execution DS 1.5", 2" (40-50mm)



PED 2014/68/EU

They can be used with gaseous or liquid media which do not corrode copper alloy and which do not have high viscosity or do not cristalize.

1.01.1 - Standard Model, DS 1.5" (40mm)

Design: EN 837-1.

Ranges: from 0...30 to 0...600 *psi* (from 0...2,5 to 0...40 bar or equivalent units)

Accuracy class: 1,6 as per EN 837-1.

Ambient temperature: -13...+122°F (-25°C...+50°C).

Process fluid temperature : +149°F (+ 65 °C max).

Thermal drift: max ±0,4 %/10 K of range (starting from 68°F - 20°C).

Working pressure:

75% of FSV for static pressure;

66% of FSV for pulsating pressure.

Overpressure (max 15 min):

25% of FSV for ranges ≤ 1500 *psi* (100 bar);

15% of FSV for ranges over 1500 *psi* (100 bar).

Protection degree: IP 40 as per IEC 529.

Socket material: copper alloy.

Bourdon tube: copper alloy.

Welding: copper alloy.

Case: stainless steel

Window: plastic.

Movement: copper alloy.

Dial: aluminium, white with black markings

Pointer: non adjustable, aluminium, black.

1.01.1 - Standard Model, DS 2" (50mm)

Ranges: from 0...30 to 0...6000 *psi* ; (from 0...2,5 to 0...400 bar or other equivalent units).

Ambient temperature: -13...+149°F (-25°C...+65°C).

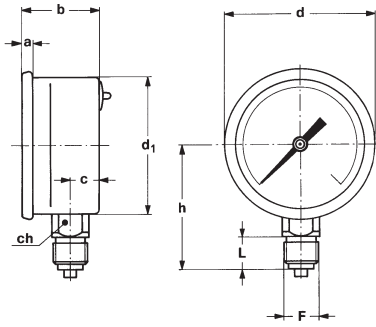
Other features: as Standard Model, DS 1.5" (40mm).

bourdon tube pressure gauges
standard execution, DS 1.5", 2" (40-50mm)

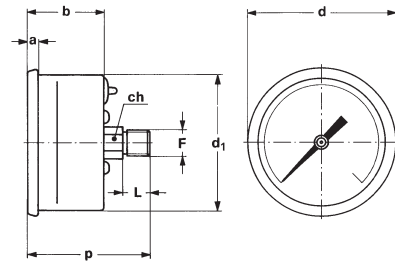
MS1

RC6 - 10/16

IN ORDER TO IMPROVE THEIR PRODUCTION, MESSRS. NUOVA FIMA RESERVE THE RIGHT TO THEMSELVES TO MAKE ALL THE MODIFICATIONS THAT THEY DEEM INDISPENSABLE AT ANY TIME. UPDATED DATA SHEETS ARE AVAILABLE ON SITE: www.nuovafima.com



A - LOWER CONNECTION



D - BACK CONNECTION

Mounting	DS	F	a	b	c	d	d ₁	h	p	L	ch	Weight
Back	A 1.5" (40)	11M - G 1/8 A		1.04"	0.43"	1.61"			1.77"	0.39"	0.47"	0.15 lbs
		13M - 1/8-27 NPT		(26,5)	(11)	(41)			(45)	(10)	(12)	(0,07 kg)
Lower	B 2" (50)	21M - G 1/4 A	0.15"	1.14"	0.43"	2.20"	2.00"			0.51"	0.55"	0.22 lbs
			(4)	(29)	(11)	(56)	(51)			(13)	(14)	(0,1 kg)
Lower	B 2" (50)	23M - 1/4-18 NPT	0.15"	1.14"		2.20"	2.00"	1.88"		0.59"	0.55"	0.22 lbs
			(4)	(29)		(56)	(51)	(47,9)		(15)	(14)	(0,1 kg)
Back	B 2" (50)	11M - G 1/8 A	0.15"	1.14"		2.20"	2.00"	1.88"	1.81"	0.39"	0.47"	0.18 lbs
		13M - 1/8-27 NPT	(4)	(29)		(56)	(51)	(47,9)	(46)	(10)	(12)	(0,085 kg)

dimensions : inches (mm)

"HOW TO ORDER" SEQUENCE

Section / Model / Case / Mounting / Diameter / Range / Process connection / Options

1 01 1 A A 11M
D B 13M
21M
23M

