

bourdon tube pressure gauges with microswitch, DS 4" (100mm)



CE Compliance to requirements of
LVD 2014/35/EU - PED 2014/68/EU

These instruments are designed to guarantee fully safe conditions while operating in conventional power stations to adjust automatically the hydraulic and pneumatic systems as well as any other system working with fluids in general.

1.7.2.1 - Standard Model

Design: EN837-1.

Safety designation: S1 as per EN 837-2.

Ranges: from 0...30 to 0...10000 psi (from 0...1,6 to 0...600 bar or equivalent units).

Accuracy: class 2,5 as per EN 837-1.

Ambient temperature: -13...+149 °F (-25...+65 °C).

Process fluid temperature: 13...+149°F
(-25...+65 °C) for ranges ≤ 580 psi (40 bar); -13...+
248°F (-25...+120 °C) for ranges ≥ 870 psi (60 bar).

Working pressure: max 75% of the FSV.

Overpressure: not suitable.

Protection degree: IP 44 as per EN 60529/IEC 529.

Electrical specifications: N. 1 SPDT microswitch.

Contact setting: between 10% and 75% of FSV.

Differential: fixed, between 2% and 4% of FSV.

Socket material: copper alloy.

Bourdon tube: copper alloy for ranges ≤ 580 psi (40 bar); AISI 316L st.st. for ranges > 870 psi (60 bar).

Case: stainless steel.

Ring: stainless steel, bayonet lock.

Window: plastic.

Movement: stainless steel.

Dial: aluminium, white with black markings.

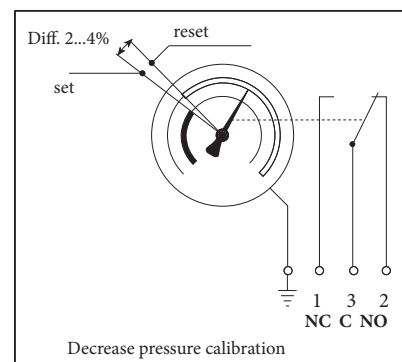
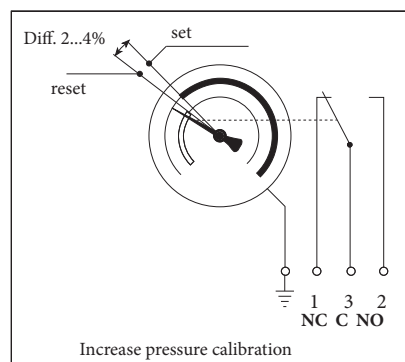
Pressure pointer: aluminium, black.

Set pointer: aluminium, red.

Adjusting key: plastic, removable.

Junction box: glass fibre reinforced poliammid with cable exit ø 0.23...0.35" (6...9 mm) as per EN 175301-803 (Ex DIN 43650).

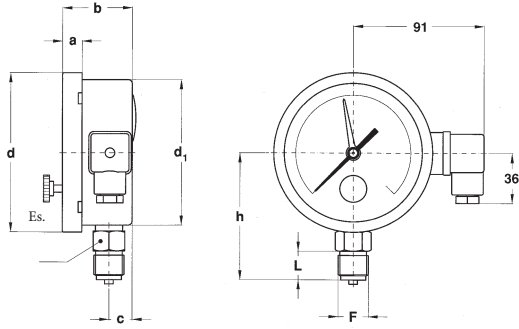
MICROSWITCH: SETTING



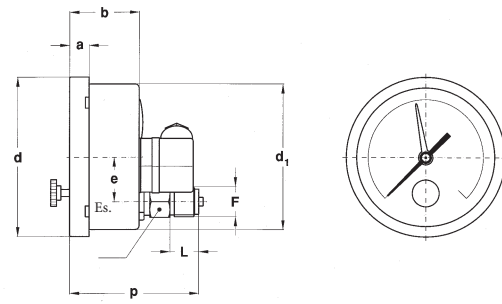
bourdon tube pressure gauges with microswitch, DS 4" (100mm)

MG572

RC2 - 08/14



A - LOWER CONNECTION



D - BACK CONNECTION

Mounting	F	a	b	c	d	d ₁	e	h	p	L	Es.	Weight
Lower	41M - G 1/2 A	0.51" (13)	1.90" (48,5)	0.62" (16)	4.35" (110,6)	3.97" (101)	1.22" (31)	3.48" (88,5)	3.65" (90)	0.78" (20)	0.86" (22)	1.32 lbs (0,6 kg)
Back												

dimensions : inches (mm)

RATING LOAD

Volt	DC	AC	Inductive load
220	0,3 A	4 A	4 A
110	0,4 A	4 A	4 A
48	4 A	4 A	4 A
24	4 A	4 A	4 A

WIRING

Wiring	Junction box	Cable
NC	Contact N.°1	Brown
NO	Contact N.°2	Black
C	Contact N.°3	Blue
Ground	Ground	Yellow-Green

OPTIONS

RSV - Under-glass adjusting (IP 55 protection degree)
D30 - Differential between 6% and 10% of FSV (for ranges ≥ 60 psi - 2,5 bar)
S06 - Brass restrictor $\varnothing 0.015"$ (0,4 mm) for ranges ≤ 600 psi (40 bar)
T40 - Calibration for pressure decrease

"HOW TO ORDER" SEQUENCE

Section / Model / Case / Mounting / Diameter / Range / Process connection / Options
1 72 1 A E 41M RSV...T40
D