

bourdon tube "solid-front" pressure gauges NACE MR0103/MR0175 - ISO 15156-3 version DS 4", 6" (100-150mm)



PED 2014/68/UE ATEX 2014/34/UE

These instruments are built in conformity with the construction and safety specifications of EN 837-1/S3 e ASME B40.1. In case of leaks or break of the elastic element, the operator is protected by a solid separating wall placed on the front of the instrument and by the blow out back. They are usually used in the petrochemical and natural gas industry; they are built to resist to the most severe conditions created by H₂S, by the environment and for those fluids, which have high viscosity and do not crystallize. The TIG welding between the case and the process socket, strengthens the instrument and assures a better tight in case of dampening fluid. The advantages of filling the case of the instrument with a dampening fluid are: reduced pointer fluctuation, reduced wear of rotating parts of the movement when pulsant vibrations and pulsations occur. Moreover, condensation and corrosive atmospheres which could damage the internal, parts are prevented.

1.40.1 - Standard Model

Design: EN 837-1, ISO 15156-3.

Safety designation: S3 as per EN 837-2.

Ranges: from 0...15 to 0...10000 psi ; (from 0...1 to 0...600 bar or other equivalent units).

Accuracy class: 1 as per EN 837-1.

Ambient temperature:

-40...+149 °F (-40...+65 °C), IP55 housing (EN 60529/IEC 529);

-58...+149 °F (-50...+65 °C), vented IP67 housing

(EN 60529/IEC 529).

Process fluid temperature: -40...+302°F (-40...+150 °C).

Thermal drift: ±0,4 %/10 °C of range (starting from 68°F - 20°C).

Working pressure:

100% of FSV for static pressure;

90% of FSV for pulsating pressure.

Overpressure: 30% of FSV (max 12 h).

Socket material: AISI 316L or MONEL 400.

Bourdon tube: MONEL 400 seamless tube

Leak test: Helium Test leak search, (max 1x10⁻⁶ mbar x l x s⁻¹).

Case: stainless steel

Ring: stainless steel, bayonet lock.

Blow out disk: stainless steel.

Window: safety glass (with external zero adjustment on request).

Movement: stainless steel with internal limit stops.

Dial: aluminium, white with black markings.

Pointer: adjustable, aluminium, black.

1.40.2 - Fillable Model - Lower connection only

Ambient temperature: -40...+149 °F (-40...+65 °C), IP 67 housing (EN 60529/IEC 529).

Other features: as Standard Model.

1.40.3 - Filled Model - Lower connection only

Filling liquid: glycerina 98%, silicon oil or Fluorinated fluid.

Ambient temperature:

+32...+149°F (0...+65 °C) with glycerine filling;

-40...+149°F (-40...+65 °C) with silicon oil filling or fluorinated fluid filling.

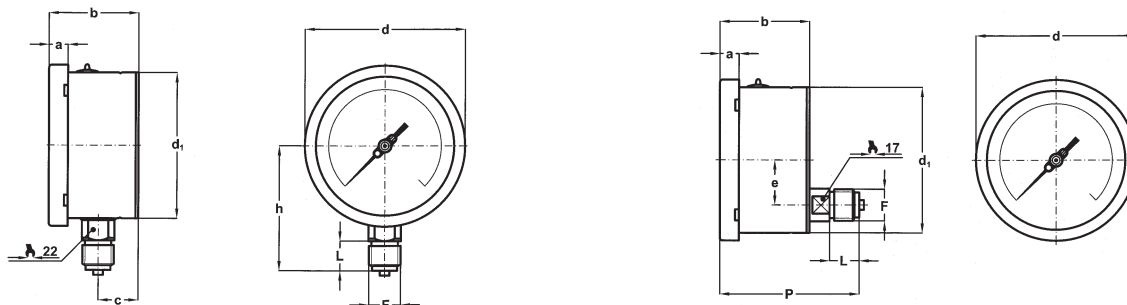
Process fluid temperature: +149°F (+65 °C).

Protection degree: IP 67 as per EN 60529/IEC 529.

Other features: as Standard Model

**bourdon tube "solid-front" pressure gauges,
NACE MR0103/MR0175 - ISO15156-3 version, DS 4", 6" (100-150mm)**

MGS40



A - LOWER CONNECTION

**D - BACK CONNECTION,
Standard model only**

| Mounting | DS | F | a | b | c | d | d ₁ | e | h | p | L | Weight (1) |
|----------|---------------|------------------|-------|--------|--------|---------|----------------|-------|-------|--------|-------|--------------|
| Lower | E 4" (100) | 41M - G 1/2 A | 0.51" | 2.46" | 1.16" | 4.35" | 3.97" | | 3.38" | | 0.78" | 1.43 lbs (1) |
| | | 43M - 1/2-14 NPT | (13) | (62,5) | (29,5) | (110,6) | (101) | | (86) | | (20) | (0,65 kg) |
| Lower | G 6" (150) | 41M - G 1/2 A | 0.59" | 2.51" | 1.18" | 6.33" | 5.92" | | 4.60" | | 0.78" | 2.64 lbs (1) |
| | | 43M - 1/2-14 NPT | (15) | (64) | (30) | (161) | (150,5) | | (117) | | (20) | (1,2 kg) |
| Back | E 4" (100) | 41M - G 1/2 A | 0.51" | 2.46" | | 4.35" | 3.97" | 1.22" | | 3.75" | 0.78" | 1.54 lbs |
| | | 43M - 1/2-14 NPT | (13) | (62,5) | | (110,6) | (101) | (31) | | (95,5) | (20) | (0,70 kg) |
| Back | G 6" (150) | 41M - G 1/2 A | 0.59" | 2.51" | | 6.33" | 5.92" | 1.22" | | 3.77" | 0.78" | 2.53 lbs |
| | | 43M - 1/2-14 NPT | (13) | (64) | | (161) | (150,5) | (31) | | (96) | (20) | (1,15 kg) |

dimensions : inches (mm)

(1) add 0.73 lbs (0,33 kg) for DS 4" (100) and 1.76 lbs (0,8 kg) for DS 6" (150), when filled

OPTIONS

| Model | standard | fillable | filled |
|--|---|----------|--------|
| C - Back flange, for lower connection pressure gauges | ◆ | ◆ | ◆ |
| E - Front flange, for back connection pressure gauges | ◆ | | |
| 2G1 - ATEX II 2G c version | See the ATEX pressure gauges data-sheet for technical details | | |
| 2D1 - ATEX II 2GD c version | | | |
| C40 - AISI 316L st. st. case, ring and blow out disk | ◆ | ◆ | ◆ |
| E07 - Socket material MONEL 400 | ◆ | ◆ | ◆ |
| E30 - NACE MR0103/MR0175 - ISO 15156-3 certificate | ◆ | ◆ | ◆ |
| F30 - Fluorinated fluid filling | | | ◆ |
| P01 - Suitable for filling with silicone/Fluorinated fluid | | ◆ | |
| P03 - Compensating device, for DS 4" (100 mm) and lower mounting only | ◆ | ◆ | ◆ |
| S10 - Silicone filling | | | ◆ |
| ECV - Vented housing version, Ambient temperature -50...+65 °C (1) (2) | ◆ | | |
| E67 - Protection degree IP67 (3) | ◆ | | |
| T01 - Tropicalization | ◆ | ◆ | ◆ |

(1) to be ordered with E67 option

(3) to be ordered with ECV option

(2) lower mounting and not adjustable pointer

"HOW TO ORDER" SEQUENCE

Section / Model / Case / Mounting / Diameter / Special version /Range / Process connection / Options

1 40 1 A E -- 41M C...E
2 D G E07 43M 2G1...T01
3

