

Low Differential Pressure Gauges (770P Series)

Applications

- Measures pressure, Vacuum or Differential
- Air and compatible gases and oil based liquids
- High quality, cost effective gauge

Pressure Limitation

- Steady pressure : 75% of full scale
- Over pressure protection : 100 kPa

Operating Temperature

- Ambient : -10 ~ 60°C



Standard Specification Overview

Dial Size

- 100mm (4")

Reference Accuracy

- $\pm 2.0\%$ of F.S
- $\pm 3.0\%$ of F.S ($\pm 5\text{mm}$, $\pm 25\text{mm}$, 10mm)
- $\pm 4.0\%$ of F.S (3000mm , 5000mm)

Scale Ranges

- -0.25 to 0.25 kPa, 0~50 kPa

Process Connection

- NPT 1/8" (F)

Material

- Case & Ring : Die cast aluminum
- Window : Acrylic
- Pointer : Aluminum Alloy, Black graduations
- Element : Silicone rubber

Optional Extra

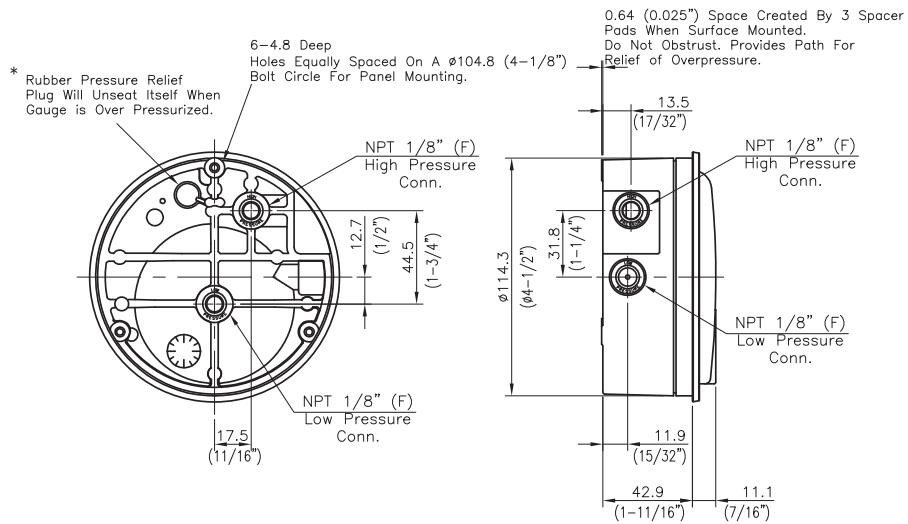
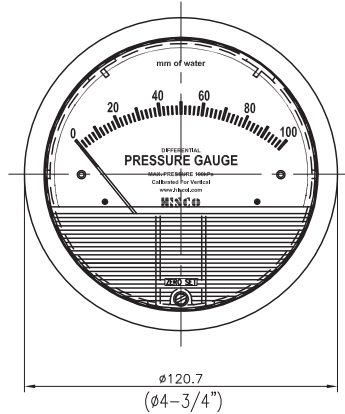
- Mounting Plate

Ordering Information for 770P Series

● = Standard Products ▲ = Available NA = Not Available

Model	Description	Case & Ring	Wetted Parts
770P	Low Differential Pressure Gauges	Die cast aluminum	Silicone rubber
Code	Dial Size	Accuracy	
40	100mm (4")	± 2.0% of F.S (Depends on the Pressure Range)	
Code	Mounting Type		40
L	Lower Back Connection with 3-hole back Mounting		●
Code	Process Connection Style		40
4	NPT		●
Code	Process Connection Size		40
B	1/8"		●
Code	Pressure Range		40
	(mm of water)		
067	-5 ~ 5		●
066	-25 ~ 25		●
063	-50 ~ 50		●
062	-100 ~ 100		●
084	0 ~ 100		●
086	0 ~ 200		●
088	0 ~ 300		●
090	0 ~ 500		●
092	0 ~ 1000		●
094	0 ~ 2000		●
096	0 ~ 3000		●
099	0 ~ 5000		●
* kPa [SI Unit] is the standard dial scale but others are available upon request.			
Code	Applicable Accessory Options		
J0	Not Apply		
Code	Options		40
Test Reports			
T1	Test Report by Manufacturer		▲
M2	Mounting Plate		▲
Sample Model Selection : 770P40L4B067J0			
* The standard specification and price are subject to change without prior notice.			

Low Differential Pressure Gauges (770P Series)



HISCO HISCO, INC.

32, Seonyu-ro 43-gil, Yeongdeungpo-gu, Seoul, Korea
 T : 82-2-2677-6046 F : 82-2-2672-1873 <http://www.hiscoi.com>