

Electric Contact Differential Pressure Gauges (703P Series)

Applications

- Equipped two Process Connections
- Indicating low and high pressure
- Control and alarm for differential pressure with electric contact
- Notice the timing to replace air and sludge filter
- Measuring differential pressure as well as liquid or flow levels
- Recommended to use 3-way & 5-way valve manifold

Pressure Limitation

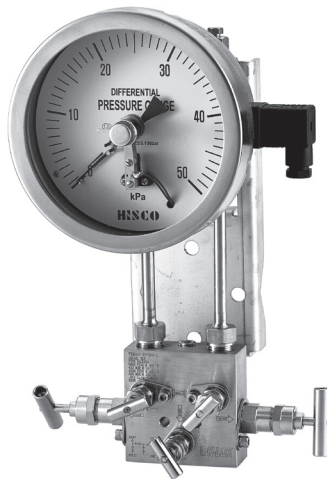
- Steady : full scale value
- Fluctuating : 0.9 of full scale value
- Short time : 1.3 of full scale value

Static Pressure Rating

- Max. Base Pressure : 10 MPa
- Max. Base Pressure : 25 MPa (Option)

Operating Temperature

- Ambient : -20 ~ 65°C
- Media (Fluid) : +100°C maximum



Standard Specification Overview

Dial Size

- 150mm (6")

Reference Accuracy

- $\pm 1.5\%$ of Full Scale

Scale Ranges

- 0 ~ 1 MPa

* For more information, see the ordering information table.

Process Connection

- NPT 1/4"
- NPT at 3-Valve & 5-Valve Manifold

Electric Contacts

- Contact Rating : AC 110V, 0.5A / AC 200V, 0.25A
- Dielectric Strength : AC 1,000A/Min

Material

- Case & Ring : 304 SS
- Window : Acrylic
- Pointer : Aluminum Alloy, Black Finished
- Connection : 316 SS
- Element (Bellows) : 316 SS
- Movement : Stainless steel
- Dial : White Aluminum with Black Graduations

Ring Type

- Bayonet

Conduit Connection

- M20 X 1.5P

Degree of Protection

- IP 65

Optional Extra

- Test Report by Manufacturer
- Test Report by KOLAS (ILAC-MRA)
- Material Certificate (Mill Sheet)
- High Accuracy ($\pm 1.0\%$ of F.S.) Calibration
- 316 SS Case & Cover (Ring)
- 3-way & 5-way valve manifold

Ordering Information for 703P Series

● = Standard Products ▲ = Available NA = Not Available

Model	Description	Case & Ring	Wetted Parts
703P	Electric Contact Differential Pressure Gauges	304 SS	316 SS
Code	Dial Size	Accuracy	703P
60	150mm (6")	± 1.5% of F.S.	●
Code	Mounting Type		All
P	Bottom Connection with 2" Pipe Mounting Bracket		●
M	Bottom Connection with Panel Mounting Bracket		●
W	Bottom Connection without Mounting Bracket		●
R	Remote Type Bottom Connection with 2" Pipe Mounting Bracket		●
Code	Standard Type		All
A	ANSI / ASME		●
K	KS / JIS		▲
D	DIN		▲
S	Screw Type		▲
Code	Process Connection Size		All
	ANSI / ASME KS / JIS DIN		
C	1/4" - -		▲
F	1/2" 15 A -		●
H	3/4" 20 A -		▲
J	1" 25 A DN 25		▲
R	1 1/2" 40 A DN 40		▲
T	2" 50 A DN 50		▲
W	3" 80 A DN 80		▲
Y	4" 100 A DN 100		▲
X	Others		
Code	Flange Rating		All
	ANSI / ASME KS / JIS DIN		
2	Class 150 10 K PN 10		▲
3	- - PN 16		▲
4	Class 300 20 K PN 25		▲
X	Others (Thread Type Process Connection)		
Code	Process Connection Style		All
RF	RFSF (125~250 AARH)		▲
FF	FF		▲
PT	PT ("R" in ISO Standard)		▲
NP	NPT		●
X	Others		
Code	Pressure Range		All
090	0 ~ 5 kPa		●
092	0 ~ 10 kPa		●
093	0 ~ 15 kPa		●

094	0 ~ 20 kPa	●
095	0 ~ 25 kPa	●
096	0 ~ 30 kPa	●
098	0 ~ 40 kPa	●
099	0 ~ 50 kPa	●
112	0 ~ 0.1 MPa	●
113	0 ~ 0.2 MPa	●
114	0 ~ 0.3 MPa	●
115	0 ~ 0.4 MPa	●
116	0 ~ 0.6 MPa	●
118	0 ~ 1 MPa	●

* kPa (SI Unit) is the standard dial scale but others are available upon request.

Code	Diaphragm Material (Only for Remote Type)	All
N	None	
A	316L SS	●
B	316L SS + PTFE Lining	▲
C	316L SS + PTFE Coating	▲
D	Monel 400	▲
E	Hastelloy C-276	▲
G	Tantalum	▲
X	Others	

Code	Housing Material (Only for Remote Type)	All
Upper		
1A	304 SS	●
1B	316 SS	▲
1C	316L SS	▲
1X	Other	▲
Under		
2A	304 SS	▲
2B	316 SS	●
2C	316L SS	▲
2D	Monel	▲
2E	Hastelloy C	▲
2G	PTFE Coating	▲
2H	PVC	▲
2I	Teflon	▲
2X	Other	

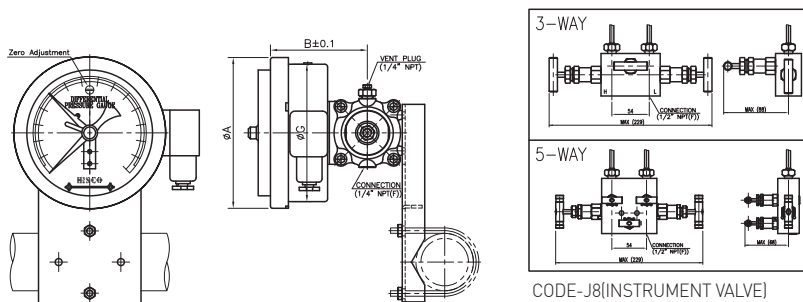
Code	Capillary Connection Length (Only for Remote Type)		
00	Direct	56	3.0 m
51	0.5 m	57	3.5 m
52	1.0 m	58	4.0 m
53	1.5 m	59	5.0 m
54	2.0 m	60	Others
55	2.5 m	* Recommend Length Max 10M	

Code	Contact Location	All
NA	Not Apply (Without Contact Point)	NA

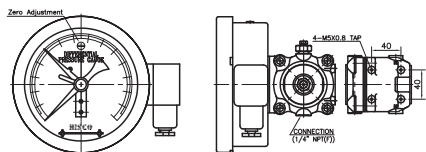
H1	One High Contact Point	●
D2	Two Contact Points (High and Low)	●
L1	One Low Contact Point	●
H2	Two Contact Points (High and Hi-High)	●
L2	Two Contact Points (Low and Lo-Low)	●
Code	Applicable Accessory Options	
J0	Not Apply	
J9	3-Way Manifold Valves	
J10	5-Way Manifold Valves	
Code	Options	All
Test Reports		
T1	Test Report by Manufacturer	▲
T2	Test Report by KOLAS (ILAC-MRA)	▲
Other Option		
M1	Material Certificate (Mill Sheet)	▲
AC	High Accuracy ($\pm 1.0\%$ of F.S.) Calibration	▲
ST	Static Pressure Rating (25 MPa)	▲
S6	316 SS Case & Cover (Ring)	▲
Sample Model Selection : 703P60P2C090H1H1H2J8		
* The standard specification and price are subject to change without prior notice.		

Electric Contact Differential Pressure Gauges (703P Series)

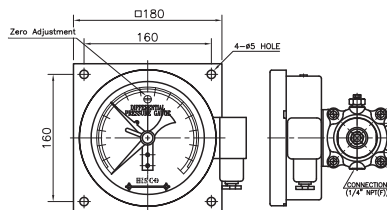
TYPE-P



TYPE-W

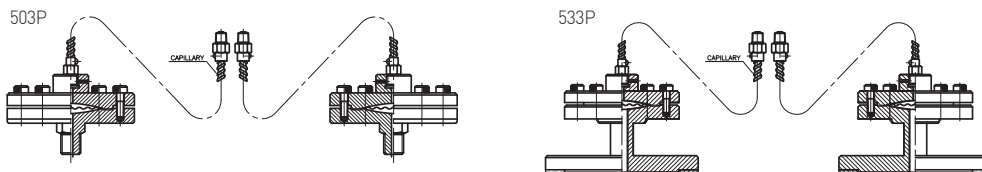


TYPE-M

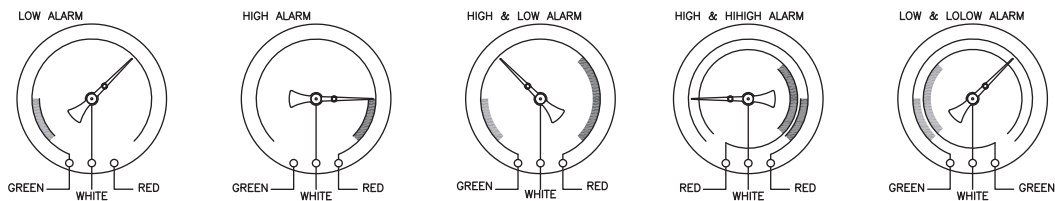


TYPE-R

Low & High Pressure If greater than 50 bar please contact us.



•Contact Function Table



[UNIT : mm]

Code	Dial Size	(Available Type)
60	ø150	P,M,W,R

HISCO HISCO, INC.

32, Seonyu-ro 43-gil, Yeongdeungpo-gu, Seoul, Korea
 T : 82-2-2677-6046 F : 82-2-2672-1873 <http://www.hiscoi.com>