

Differential Pressure Switches (702P Series)

Applications

- Equipped two Process Connections
- Indicating low and high pressure
- Measuring differential pressure as well as liquid or flow levels
- Recommended to use 3-way & 5-way valve manifold

Pressure Limitation

- Steady : full scale value
- Fluctuating : 0.9 of full scale value
- Short time : 1.3 of full scale value

Static Pressure Rating

- Max. Base Pressure : 5 MPa
- Max. Base Pressure : 25 MPa (Option)

Operating Temperature

- Ambient : -20 ~ 65°C
- Media (Fluid) : +100°C maximum



Standard Specification Overview

Dial Size

- 150mm (6")

Reference Accuracy

- $\pm 1.5\%$ of Full Scale

Scale Ranges

- 0 ~ 1 MPa
- * For more information, see the ordering information table.

Process Connection

- NPT 1/4"
- NPT at 3-Valve & 5-Valve Manifold

Switch Contacts

- AC 125V, 5A / 250V, 3A

Material

- Case & Ring : 304 SS
- Window : Safety Glass
- Pointer : Aluminum Alloy, Black Finished
- Connection : 316 SS
- Element (Bellows) : 316 SS
- Movement : Stainless steel
- Dial : White Aluminum with Black Graduations

Ring Type

- Bayonet

Conduit Connection

- M20 X 1.5P

Degree of Protection

- IP 56

Optional Extra

- Test Report by Manufacturer
- Test Report by KOLAS (ILAC-MRA)
- Material Certificate (Mill Sheet)
- High Accuracy ($\pm 1.0\%$ of F.S.) Calibration
- Static Pressure Rating (25MPa)
- 316 SS Case & Cover (Ring)
- 3-way & 5-way valve manifold

Ordering Information for 702P Series

● = Standard Products ▲ = Available NA = Not Available

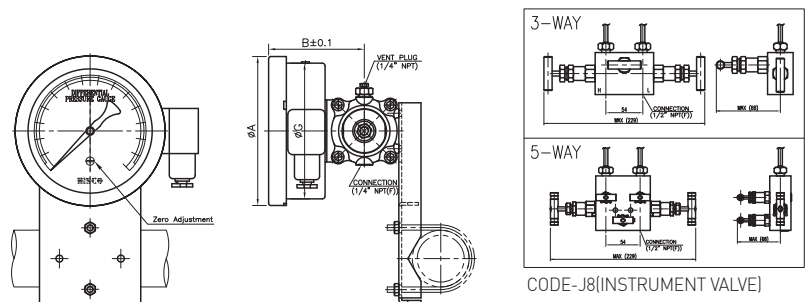
Model	Description	Case & Ring	Wetted Parts
702P	Differential Pressure Switch	304 SS	316 SS
Code	Dial Size	Accuracy	702P
60	150mm (6")	± 1.5% of F.S.	●
Code	Mounting Type		All
P	Bottom Connection with 2" Pipe Mounting Bracket		●
M	Bottom Connection with Panel Mounting Bracket		●
W	Bottom Connection without Mounting Bracket		●
R	Remote Type Bottom Connection with 2" Pipe Mounting Bracket		●
Code	Standard Type		All
A	ANSI / ASME		●
K	KS / JIS		▲
D	DIN		▲
Code	Process Connection Size		All
	ANSI / ASME KS / JIS DIN		
B	1/2" 15 A -		●
H	3/4" 20 A -		▲
J	1" 25 A DN 25		▲
R	1 1/2" 40 A DN 40		▲
T	2" 50 A DN 50		▲
V	2 1/2" - -		▲
W	3" 80 A DN 80		▲
Y	4" 100 A DN 100		▲
X	Others		
Code	Flange Rating		All
	ANSI / ASME KS / JIS DIN		
1	Thread Type Process Connection -		●
2	Class 150 10 K PN 10		▲
3	- - PN 16		▲
4	Class 300 20 K PN 25		▲
X	Others		
Code	Process Connection Style		All
RF	RFSF (125~250 AARH)		▲
FF	FF		▲
PT	PT ("R" in ISO Standard)		▲
NP	NPT		●
X	Others		
Code	Pressure Range		All
091	0 ~ 5 kPa		●
092	0 ~ 10 kPa		●
093	0 ~ 15 kPa		●

094	0 ~ 20 kPa	●	
095	0 ~ 25 kPa	●	
096	0 ~ 30 kPa	●	
098	0 ~ 40 kPa	●	
099	0 ~ 50 kPa	●	
112	0 ~ 0.1 MPa	●	
113	0 ~ 0.2 MPa	●	
114	0 ~ 0.3 MPa	●	
115	0 ~ 0.4 MPa	●	
116	0 ~ 0.6 MPa	●	
118	0 ~ 1 MPa	●	
Code	Diaphragm Material (Only for Remote Type)	All	
N	None		
A	316L SS	●	
B	316L SS + PTFE Lining	▲	
C	316L SS + PTFE Coating	▲	
D	Monel 400	▲	
E	Hastelloy C-276	▲	
G	Tantalum	▲	
X	Others		
Code	Housing Material (Only for Remote Type)	All	
	Upper		
1A	304 SS	●	
1B	316 SS	▲	
1C	316L SS	▲	
1X	Other	▲	
	Under		
2A	304 SS	▲	
2B	316 SS	●	
2C	316L SS	▲	
2D	Monel	▲	
2E	Hastelloy C	▲	
2G	PTFE Coating	▲	
2H	PVC	▲	
2I	Teflon	▲	
2X	Other		
Code	Capillary Connection Length (Only for Remote Type)		
00	Direct	56	3.0 m
51	0.5 m	57	3.5 m
52	1.0 m	58	4.0 m
53	1.5 m	59	5.0 m
54	2.0 m	60	Others
55	2.5 m	* Recommend Length Max 10M	

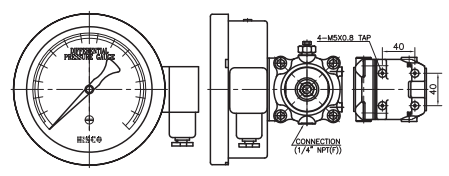
Code	Contact Location	All
S1	One SPDT (Single Change - Over Contact)	●
S2	Two SPDT (Single Change - Over Contact)	●
Code	Applicable Accessory Options	
J0	Not Apply	
J9	Manifold Valves	
Code	Options	All
Test Reports		
T1	Test Report by Manufacturer	▲
T2	Test Report by KOLAS (ILAC-MRA)	▲
Other Option		
M1	Material Certificate (Mill Sheet)	▲
AC	High Accuracy ($\pm 1.0\%$ of F.S.) Calibration	▲
ST	Static Pressure Rating (25MPa)	▲
S6	316 SS Case & Cover (Ring)	▲
Sample Model Selection : 702P60P2C090J8		
* The standard specification and price are subject to change without prior notice.		

Differential Pressure Switches (702P Series)

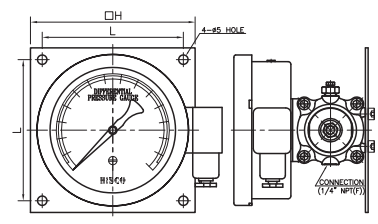
TYPE-P



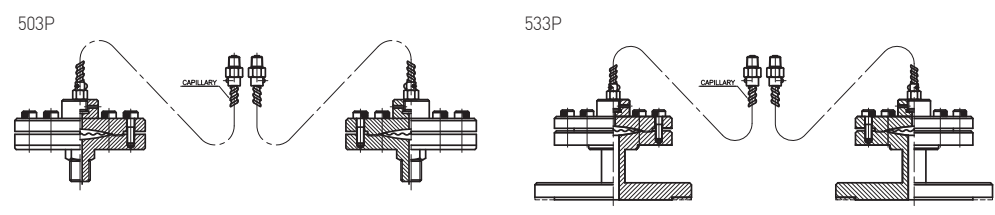
TYPE-W



TYPE-M



TYPE-R Low & High Pressure If greater than 50 bar please contact us.



(UNIT : mm)

Code	Dial Size	(Available Type)	A	B	G	H	L
60	ø150	P,W,M,R	167.9	108	153	180	160

•Ratings

Rated voltage	Non-inductive load (A)		Inductive load (A)	
	Resistive load		Inductive load	
	NC	NO	NC	NO
125 VAC	15 (10) *		15 (10) *	
250 VAC	15 (10) *		15 (10) *	
500 VAC *	10		6	
8 VDC	15		15	
14 VDC	15		10	
30 VDC	2		1	
125 VDC	0.4		0.03	
250 VDC	0.2		0.02	

•Switching

