

Low Pressure Diaphragm Sealed Pressure Gauges (571P & 573P Series)

Applications

- Low pressure measuring
- Specially designed for chemical, petrochemical, paper and food industry
- All gaseous and liquid media
- Corrode, Suspended solid, Viscous or Frozen medium
- Shock & vibration application
- Chemical & petrochemical
- Pumps, compressors and regulators
- Refining & marine industry

Pressure Limitation

- Steady : 3/4 of full scale value
(recommendation : 25% to 75% of full scale)
- Fluctuating : 2/3 of full scale value
(recommendation : lower 50% of full scale)
- Short time : 130% of full scale value (over range protection)

Operating Temperature

- Ambient : -20 ~ 65°C
- Media (Fluid) : + 100°C maximum



Special Notes

1. Only direct mounting type is available

Standard Specification Overview

Dial Size

- 100mm (4"), 150mm (6")

Reference Accuracy

- Refer to Gauge Model

Scale Ranges

- Vacuum, Compound & 0 ~ 50 kPa
- *For more information, see the ordering information table.

Process Connection

- Thread Type, Flange Type

Material

- Upper Flange : 304 SS, 316 SS
- Diaphragm : 316L SS, Monel, Hastelloy-C, Tantalum
- Under Flange : 304 SS, 316 SS, 316L SS, Monel, Hastelloy-C

Optional Extra

- Test Report by Manufacturer
- Test Report by KOLAS (ILAC-MRA)
- Cleaning Service (USE NO OIL)
- Material Certificate (Mill Sheet)

Ordering Information for 571P & 573P Series

● = Standard Products ▲ = Available NA = Not Available

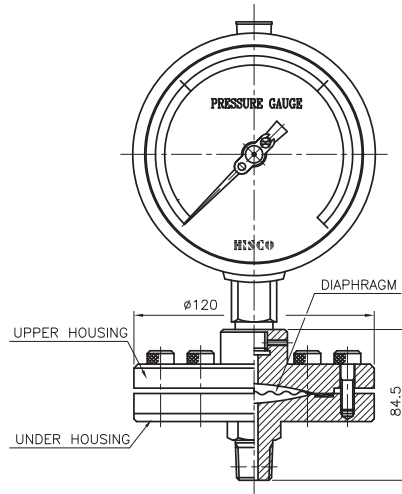
Model	Description				
571P	Direct Thread Low Pressure Diaphragm Sealed Pressure Gauges				
573P	"I" Shape Flanged Low Pressure Diaphragm Sealed Pressure Gauges				
Code	Dial Size & Model		Code	Dial Size & Model	
M5	100mm (Model 411P)		M7	150mm (Model 411P)	
* Mounting type "A" applies. Other mounting types are not available on this series.					
Code	Standard Type			All	
A	ANSI / ASME			▲	
K	KS / JIS			▲	
D	DIN			▲	
Code	Process Connection Size			571P	573P
	ANSI / ASME	KS / JIS	DIN		
B	1/2"	15 A	-	●	●
H	3/4"	20 A	-	▲	●
J	1"	25 A	DN 25	NA	●
R	1 1/2"	40 A	DN 40	NA	●
T	2"	50 A	DN 50	NA	●
V	2 1/2"	-	-	NA	●
W	3"	80 A	DN 80	NA	●
Y	4"	100 A	DN 100	NA	●
X	Others				
Code	Flange Rating			571P	573P
	ANSI / ASME	KS / JIS	DIN		
1	Thread Type Process Connection		-	●	NA
2	Class 150	10 K	PN 10	NA	●
3	-	-	PN 16	NA	●
4	Class 300	20 K	PN 25	NA	●
X	Others				
Code	Process Connection Style			571P	573P
RF	RFSF (125~250 AARH)			NA	●
FF	FF			NA	●
PT	PT ("R" in ISO Standard)			●	NA
PF	PF ("G" in ISO Standard)			▲	NA
NP	NPT			▲	NA
X	Others				
Code	Diaphragm Material			571P	573P
A	316L SS			●	●
Code	Housing Material			571P	573P
	Upper				
1A	304 SS			●	●
1B	316 SS			▲	▲

1C	316L SS	▲	▲
1X	Other	▲	▲
	Under		
2A	304 SS	▲	▲
2B	316SS	●	●
2C	316L SS	▲	▲
2D	Monel	▲	▲
2E	Hastelloy C	▲	▲
2F	PTFE Lining	▲	▲
2G	PTFE Coating	▲	▲
2H	PVC	▲	▲
2I	Teflon	▲	▲
2X	Other	▲	▲
Code	Pressure Range	571P	573P
035	-30 ~ 0 kPa	●	●
037	-20 ~ 0 kPa	●	●
038	-15 ~ 0 kPa	●	●
039	-10 ~ 0 kPa	●	●
041	-5 ~ 0 kPa	●	●
042	-4 ~ 0 kPa	●	●
043	-3 ~ 0 kPa	●	●
045	-2 ~ 0 kPa	●	●
047	-1 ~ 0 kPa	●	●
051	-25 ~ 25 kPa	●	●
052	-20 ~ 20 kPa	●	●
053	-15 ~ 15 kPa	●	●
054	-10 ~ 10 kPa	●	●
056	-5 ~ 5 kPa	●	●
058	-3 ~ 3 kPa	●	●
059	-2.5 ~ 2.5 kPa	●	●
060	-2 ~ 2 kPa	●	●
062	-1 ~ 1 kPa	●	●
084	0 ~ 1 kPa	●	●
086	0 ~ 2 kPa	●	●
088	0 ~ 3 kPa	●	●
089	0 ~ 4 kPa	●	●
090	0 ~ 5 kPa	●	●
092	0 ~ 10 kPa	●	●
093	0 ~ 15 kPa	●	●
094	0 ~ 20 kPa	●	●
095	0 ~ 25 kPa	●	●
096	0 ~ 30 kPa	●	●
097	0 ~ 35 kPa	●	●
098	0 ~ 40 kPa	●	●

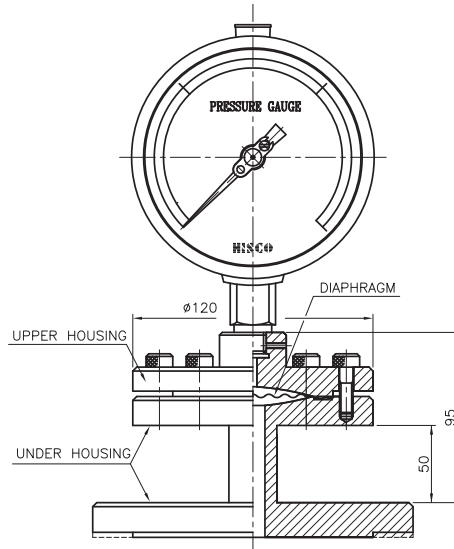
099	0 ~ 50 kPa		●	●
* kPa (SI Unit) is the standard dial scale but others are available upon request.				
Code	Applicable Accessory Options			
J0	Not Apply			
J3	Syphon Tubes			
J4	Pulsation Dampeners			
J6	Flushing Ring			
J7	Gauge Savers (Gauge Protectors)			
Code	Options		571P	573P
Test Reports				
T1	Test Report by Manufacturer		▲	▲
T2	Test Report by KOLAS (ILAC-MRA)		▲	▲
Other Option				
C1	Cleaning Service (USE NO OIL)		▲	▲
M1	Material Certificate (Mill Sheet)		▲	▲
Sample Model Selection : 571A1NPB1A1B094J0				
* The standard specification and price are subject to change without prior notice.				

Low Pressure Diaphragm Sealed Pressure Gauges (571P & 573P Series)

571P



573P



HISCO HISCO, INC.

32, Seonyu-ro 43-gil, Yeongdeungpo-gu, Seoul, Korea
T : 82-2-2677-6046 F : 82-2-2672-1873 <http://www.hiscoi.com>